

SITE DRAWINGS

ISSUE : November 2023 - FOR INFORMATION



DETAILS MAY BE SUBJECT TO CHANGE WITHOUT NOTICE



TYPE Southern Pine Products - H3.2 Treatment
Bevel Back WB - Cavity Fix
NAME COVER SHEET - A4 COVER



DRAWING SCALE
N.T.S

ISSUE DATE
NOV 2023

DRAWING No SPP CF20 BB01 REVISION

A4 Site Details - INDEX

Sheet Number	Sheet Title
SPP CF20 BB01	COVER SHEET - A4 COVER
SPP CF20 BB02	COVER SHEET - A4 INDEX
SPP CF20 BB03	COVER SHEET - A4 NOTES
SPP CF20 BB04	COVER SHEET - A4 INDEX (2)
SPP CF20 BB10	WINDOW HEAD DETAIL
SPP CF20 BB11	WINDOW SILL DETAIL
SPP CF20 BB12	WINDOW JAMB DETAIL
SPP CF20 BB13	WINDOW FLASHING DETAILS
SPP CF20 BB20	DOOR HEAD DETAIL
SPP CF20 BB21	DOOR SILL DETAIL
SPP CF20 BB22	DOOR JAMB DETAIL
SPP CF20 BB23	DOOR FLASHING DETAILS
SPP CF20 BB30	METER BOX HEAD DETAIL
SPP CF20 BB31	METER BOX SILL DETAIL
SPP CF20 BB32	METER BOX JAMB DETAIL
SPP CF20 BB33	METER BOX FLASHING DETAILS
SPP CF20 BB40	EXTERNAL CORNER
SPP CF20 BB41	3D EXTERNAL CORNER
SPP CF20 BB42	INTERNAL CORNER
SPP CF20 BB43	3D INTERNAL CORNER
SPP CF20 BB44	WEATHERBOARD FIXING
SPP CF20 BB45	DRAINED INTER-STOREY JOINT
SPP CF20 BB50	EXTERNAL CORNER
SPP CF20 BB51	3D EXTERNAL CORNER
SPP CF20 BB52	INTERNAL CORNER
SPP CF20 BB53	3D INTERNAL CORNER
SPP CF20 BB54	PIPE PENETRATION
SPP CF20 BB55	3D PIPE PENETRATION
SPP CF20 BB60	BASE OF WALL - TIMBER
SPP CF20 BB61	BASE OF WALL - CONCRETE
SPP CF20 BB62	SOFFIT DETAIL AT WALL
SPP CF20 BB63	SOFFIT DETAIL AT FASCIA
SPP CF20 BB64	APRON FLASHING - ROOF TO WALL JUNCTION
SPP CF20 BB65	TYPICAL PARAPET CAPPING JOINT DETAILS



SUSTAINABLE FORESTRY
Raw material is grown sustainably



NON TOXIC
Completely natural and toxic-free material



WEATHER ENDURANCE
Durable and weather resistant,



ALL CLIMATES
Can be used both indoors and outdoors in all climate conditions



DIMENSIONAL STABILITY
Retains its shape better than untreated wood and therefore a perfect choice for demanding applications



DETAILS MAY BE SUBJECT TO CHANGE WITHOUT NOTICE

A4 Site Details - INDEX

Sheet Number	Sheet Title
SPP CF20 BB70	BASE OF WALL, MEMBRANE ROOF
SPP CF20 BB71	DECK TO ROOF MEMBRANE - SADDLE FLASHING - STAGE ONE
SPP CF20 BB72	DECK TO ROOF MEMBRANE - SADDLE FLASHING - STAGE TWO
SPP CF20 BB73	DECK TO ROOF MEMBRANE - SADDLE FLASHING - STAGE THREE
SPP CF20 BB74	TYPICAL PARAPET CAPPING JOINT DETAILS
SPP CF20 BB75	PARAPET SECTION TO MEMBRANE ROOF
SPP CF20 BB76	WALL TO DECK MEMBRANE ROOFING - GENERAL DETAILS 04
SPP CF20 BB90	HALF WALL - SILL WEATHERBOARD TO BRICK
SPP CF20 BB91	CANTILEVER FLOOR - BRICK TO WEATHERBOARD
SPP CF20 BB92	IN-LINE JUNCTION - WEATHERBOARD TO BRICK
SPP CF20 BB93	INTERNAL CORNER - WEATHERBOARD TO BRICK
SPP CF20 BB94	EXTERIOR JUNCTION - WEATHERBOARD TO BRICK
SPP CF20 BB95	FLASHINGS - WEATHERBOARD TO BRICK
SPP CF20 BB100	HALF WALL - SILL - PLASTER PANEL TO WEATHERBOARD
SPP CF20 BB101	CANTILEVER FLOOR - PLASTER PANEL TO WEATHERBOARD
SPP CF20 BB102	IN-LINE JUNCTION - PLASTER PANEL TO WEATHERBOARD
SPP CF20 BB103	INTERNAL CORNER - PLASTER PANEL TO WEATHERBOARD
SPP CF20 BB104	EXTERIOR JUNCTION - PLASTER PANEL TO WEATHERBOARD
SPP CF20 BB105	FLASHINGS - PLASTER PANEL TO WEATHERBOARD



SUSTAINABLE FORESTRY
Raw material is grown sustainable



NON TOXIC
Completely natural and toxic-free material



WEATHER ENDURANCE
Durable and weather resistant,



ALL CLIMATES
Can be used both indoors and outdoors in all climate conditions



DIMENSIONAL STABILITY
Retains its shape better than untreated wood and therefore a perfect choice for demanding applications



DETAILS MAY BE SUBJECT TO CHANGE WITHOUT NOTICE



TYPE Southern Pine Products - H3.2 Treatment
 Bevel Back WB - Cavity Fix
 NAME COVER SHEET - A4 INDEX (2)



DRAWING SCALE N.T.S	ISSUE DATE NOV 2023
DRAWING No SPP CF20 BB04	
REVISION	

General Notes :

This documentation has been specifically designed to help Architects, Designers & Builders. They are grouped into Two Sections

A3 / A1 ARCHITECTURAL DRAWINGS :

The details are grouped to make up completed A1 or A3 drawings.
eg WINDOW DETAILS (Head, Sill, Jamb & Flashing Details)

A4 SITE DRAWINGS :

The details in this section are full scale 1:2 at A4. You can easily read these drawings and are intended for the builder.

ARCHITECTS / DESIGNERS RESPONSIBILITY :

We have made the drawings as accurate as possible. We have even specified extra flashing's in some areas that are over and above the NZ Building Code E2/AS1 External Moisture. But it is the Architects / Designers responsibility to confirm the suitability of these details for his particular projects and his client.

The Architect / Designer will need to determine the "RISK MATRIX" that is project-specific, which then determines the details required. Builders that have questions about these details, will need to contact their project-specific Architect or Designer

TECHNICAL INFORMATION :

- The AutoCAD drawings have all the Xref,s embedded as blocks.
Erase the title block and Xref in your title block.
- These drawings have been KEY NOTED
This makes the details more readable, people then focus on the actual important notes on the drawing. This also allows for easier revisions. You only need to change one keynote reference. You will need to personalize these notes to make them specific to your project.
- The Drawings are coloured and have pen assignments to the colours. a PGP file will be supplied in the Zip File. All the drawing output sheets are default set to print a PDF drawing. It is recommended that you print these detail in PDF then print your paper copies from the PDF File.
- The AutoCAD drawings are made up of multiple details, The A1/A3 output drawings also link into the A4 Detail drawings, These A4 drawings have special scaled down notes and blocks. (Annotative Scale) But it is the exact same information
- These drawings are Copyrighted to " SOUTHERN PINE PRODUCTS LIMITED" (ALL RIGHTS ASSERTED) and their Approved Clients. The Drawings have two methods of Electronic protection. You will receive your own personal password to open the drawings.

LEGAL INFORMATION :

SOUTHERN PINE PRODUCTS Ltd and its Agent AIPdesigNZ Ltd have no reason to believe the information in the details are inaccurate. SOUTHERN PINE PRODUCTS Ltd and its Agent AIPdesigNZ Ltd does not warrant the accuracy, adequacy or completeness of such information and we do not undertake to keep the information in the details updated. SOUTHERN PINE PRODUCTS Ltd and its Agent AIPdesigNZ Ltd DOES NOT :

- Give any assurances that the details and information will be suitable for your purposes, and you agree that you will not rely on the information and you will make your own independent assessments (with the aid of qualified independent advice)
- Accept responsibility for any loss, damage (including indirect, special or consequential loss or damage), however caused (including through negligence) that you may directly or indirectly suffer in connection with your use of or reliance on the SOUTHERN PINE PRODUCTS Ltd & AIPdesigNZ Ltd Details, including the accuracy or currency of the SOUTHERN PINE PRODUCTS Ltd & AIPdesigNZ Ltd Details.
Any condition, warranty, right or liability which would otherwise be implied is excluded.

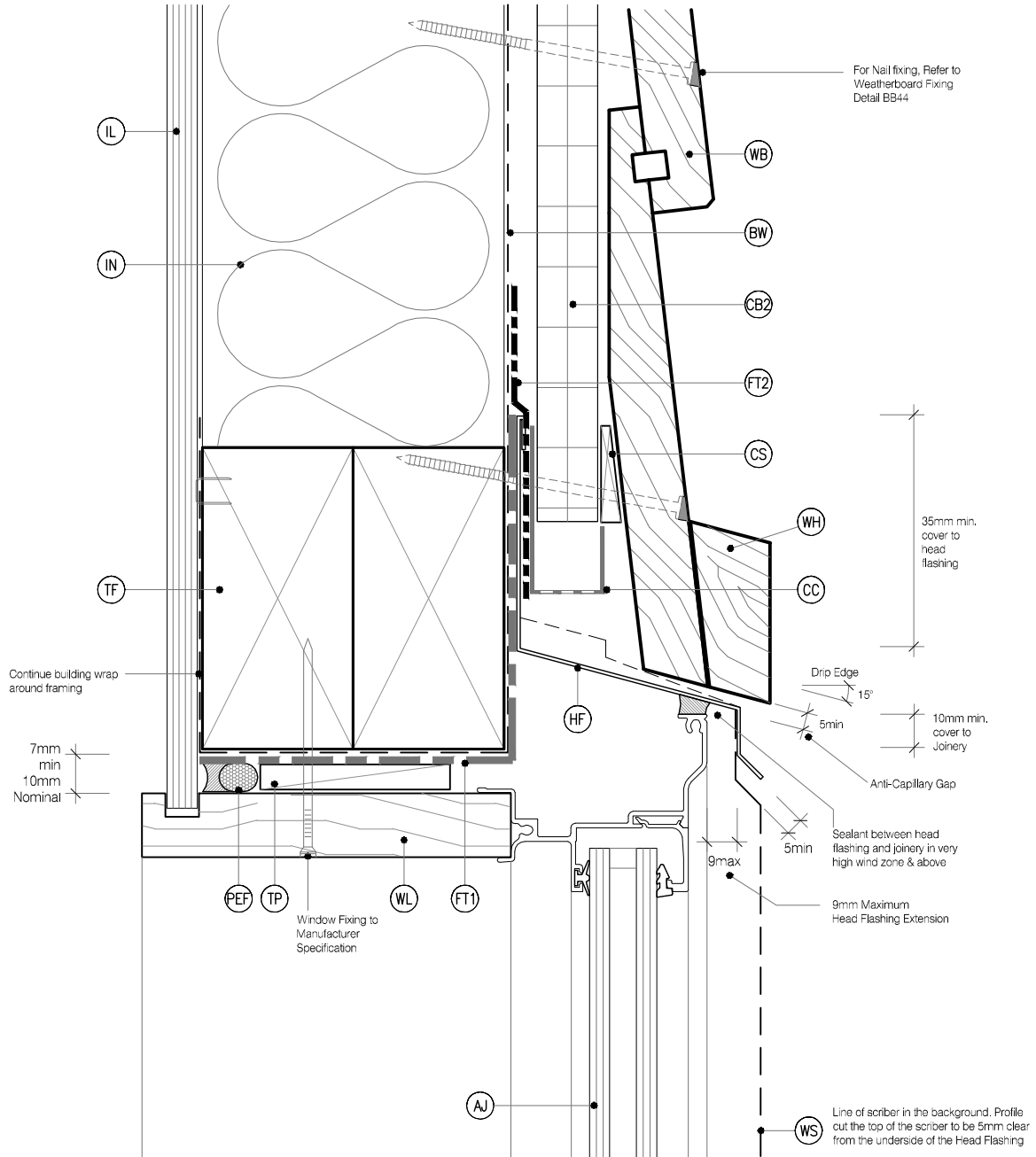


DETAILS MAY BE SUBJECT TO CHANGE WITHOUT NOTICE

LEGEND :

- | | | |
|--|---|--|
| <p>(AJ) ALUMINIUM JOINERY: Selected double glazed aluminium joinery, To E2/AS1 9.1.10</p> <p>(BW) BUILDING WRAP: Flexible Wall Underlay, As per NZBC E2/AS1 - Table 23, In extra high wind zones, Rigid Underlay required (9.1.7.2 E2/AS1)</p> <p>(CB2) CAVITY BATTEN, VERTICAL: 20mm x 45mm H3.1. To form a 20mm cavity.</p> <p>(CB3) CAVITY BATTEN, VERTICAL - STRUCTURALLY FIXED : 45mm x 45mm SPP Radiata Pine, H3.2 70mm x 45mm SPP Radiata Pine, H3.2 To form a 45mm cavity</p> <p>(CS) CANT STRIP: Southern Pine H3.1 Cant Strip 25mm x 9 mm</p> <p>(SS) SILL SCRIBER: Southern Pine H3.2, Horizontal batten under window as necessary to suit profile, sealant to back of sill scriber</p> | <p>(CC) CAVITY CLOSURE: Cavity closure strip, positioned to give a 15mm Min drip edge to cladding</p> <p>(FT1) FLASHING TAPE: Flashing tape over wrap 70mm (50 min) turn-down required in corners only. Refer to Fig. 72 of NZBC E2/AS1</p> <p>(FT2) FLEXIBLE FLASHING TAPE: Flexible flashing tape lapped over aluminium head flashing or 2nd layer of Building Wrap, taped joint to top of timber frame</p> <p>(HF) HEAD FLASHING: Aluminium head flashing with minimum 15 degree fall, optional hemmed edges as per table 7 E2/AS1</p> <p>(IL) INTERNAL LINING: Selected Internal Lining</p> <p>(PEF) PEF ROD BACKING: Foam backing rod with sealant to cavity in Window perimeter that forms a waterproof air-seal. (Sealant 2:1 Ratio)</p> <p>(TP) TIMBER PACKER: Tan H3.2 Treated Packer</p> | <p>(TF) TIMBER FRAME: H1.2 min treated timber framing</p> <p>(WB) WEATHER BOARD: Southern Pine Bevel Back Weatherboard. Profile to NZS 3617</p> <p>(IN) INSULATION: Selected Insulation</p> <p>(WH) WEATHERHEAD: (OPTIONAL) Southern Pine H3.2, Horizontal batten above window as necessary to suit profile, shaped to shed water, sealant to back of head scriber</p> <p>(WL) WINDOW LINER: As Specified</p> <p>(WS) WINDOW SCRIBER: Southern Pine H3.1, profile cut to fit weatherboard, sealant to back of scriber and 75 x 3.15mm 316 Stainless Steel nail in 3mm predrilled hole. 40x18 or 60x18 depending on weatherboard size</p> <p>(WZ) WANZ SUPPORT: Provide window support as required by joinery manufacturer</p> |
|--|---|--|

NOTE : Where 75x3.15 jolt head nails are referenced, these may be substituted for 75mm jolt head weatherboard screws



- DENDRO® is Southern Pine's premium product range of H3.2 treated, solid, clear weatherboards. Manufactured from high quality, pruned NZ Radiata Pine. Product warranty, 25 years if used in accordance with the Installation & Maintenance Guide.
- All Southern Pine Weatherboard profiles have been machined to be compliant with NZS 3617 and BRANZ BU411
- The Southern Pine Weatherboard System, if designed and installed as per the Installation & Maintenance Guide, will meet

- the following provisions of the New Zealand Building Code (NZBC):
- Clause B1 Structure: Performance B1.3.1, B1.3.2, B1.3.4 (a), (b), (c), (d) and (e) for the
 - Clause B2 Durability: Performance B2.3.1(b) and B2.3.2(b)
 - Clause E2 External Moisture: Performance E2.3.2, E2.3.3, E2.3.5, E2.3.7(b) and (c)
 - Clause F2 Hazardous Building Materials: Performance F2.3.1

- This Weatherboard System must be installed by a qualified trade person. Restricted Building Work (RBW) requires a Licensed Building Practitioner (LBP) or supervised by an LBP. It is the specifier's responsibility to ensure that the details are appropriate for the intended application and that additional detailing is obtained for a specific design or any areas that fall outside the scope of the Southern Pine Products & E2/AS1 Acceptable solution.



TYPE Southern Pine Products - H3.2 Treatment
 Bevel Back WB - Cavity Fix
 NAME WINDOW HEAD DETAIL

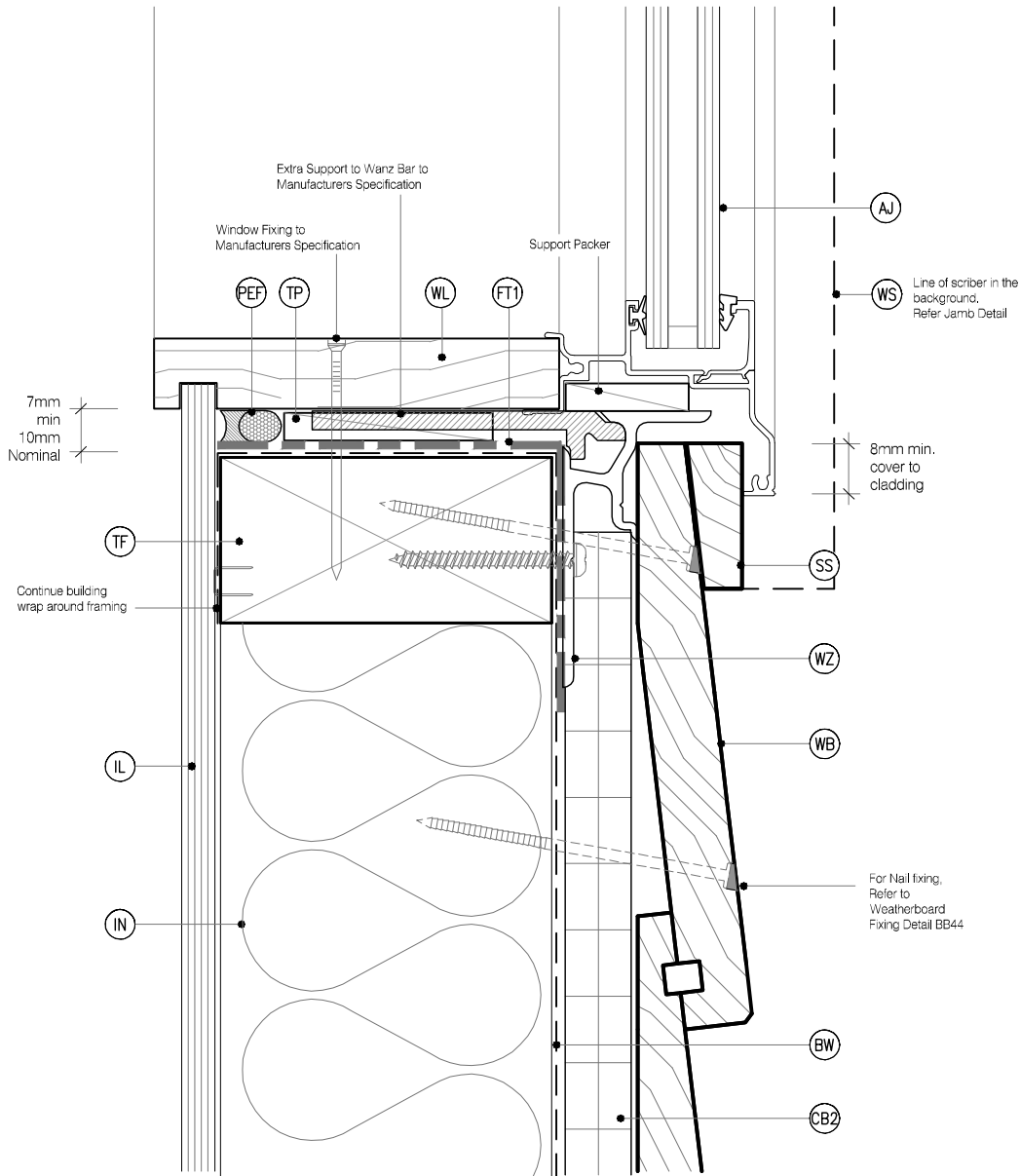


DRAWING SCALE 1:2 @ A4	ISSUE DATE NOV 2023
DRAWING No SPP CF20 BB10	REVISION

LEGEND :

- | | | |
|--|---|--|
| <p>(AJ) ALUMINIUM JOINERY: Selected double glazed aluminium joinery. To E2/AS1 9.1.10</p> <p>(BW) BUILDING WRAP: Flexible Wall Underlay, As per NZBC E2/AS1 - Table 23. In extra high wind zones, Rigid Underlay required (9.1.7.2 E2/AS1)</p> <p>(CB2) CAVITY BATTEN, VERTICAL: 20mm x 45mm H3.1. To form a 20mm cavity.</p> <p>(CB3) CAVITY BATTEN, VERTICAL - STRUCTURALLY FIXED : 45mm x 45mm SPP Radiata Pine, H3.2 70mm x 45mm SPP Radiata Pine, H3.2 To form a 45mm cavity</p> <p>(CS) CANT STRIP: Southern Pine H3.1 Cant Strip 25mm x 9 mm</p> <p>(SS) SILL SCRIBER: Southern Pine H3.2, Horizontal batten under window as necessary to suit profile, sealant to back of sill scriber</p> | <p>(CC) CAVITY CLOSURE: Cavity closure strip, positioned to give a 15mm Min drip edge to cladding</p> <p>(FT1) FLASHING TAPE: Flashing tape over wrap 70mm (50 min) turn-down required in corners only. Refer to Fig. 72 of NZBC E2/AS1</p> <p>(FT2) FLEXIBLE FLASHING TAPE: Flexible flashing tape lapped over aluminium head flashing or 2nd layer of Building Wrap, taped joint to top of timber frame</p> <p>(HF) HEAD FLASHING: Aluminium head flashing with minimum 15 degree fall, optional hemmed edges as per table 7 E2/AS1</p> <p>(IL) INTERNAL LINING: Selected Internal Lining</p> <p>(PEF) PEF ROD BACKING: Foam backing rod with sealant to cavity in Window perimeter that forms a waterproof air-seal. (Sealant 2:1 Ratio)</p> <p>(TP) TIMBER PACKER: Tan H3.2 Treated Packer</p> | <p>(TF) TIMBER FRAME: H1.2 min treated timber framing</p> <p>(WB) WEATHER BOARD: Southern Pine Bevel Back Weatherboard. Profile to NZS 3617</p> <p>(IN) INSULATION: Selected Insulation</p> <p>(WH) WEATHERHEAD: (OPTIONAL) Southern Pine H3.2, Horizontal batten above window as necessary to suit profile, shaped to shed water, sealant to back of head scriber</p> <p>(WL) WINDOW LINER: As Specified</p> <p>(WS) WINDOW SCRIBER: Southern Pine H3.1, profile cut to fit weatherboard, sealant to back of scriber and 75 x 3.15mm 316 Stainless Steel nail in 3mm predrilled hole. 40x18 or 60x18 depending on weatherboard size</p> <p>(WZ) WANZ SUPPORT: Provide window support as required by joinery manufacturer</p> |
|--|---|--|

NOTE : Where 75x3.15 jolt head nails are referenced, these may be substituted for 75mm jolt head weatherboard screws



- DENDRO is Southern Pine's premium product range of H3.2 treated, solid, clear weatherboards. Manufactured from high quality, pruned NZ Radiata Pine. Product warranty, 25 years if used in accordance with the Installation & Maintenance Guide.
- All Southern Pine Weatherboard profiles have been machined to be compliant with NZS 3617 and BRANZ BU411
- The Southern Pine Weatherboard System, if designed and installed as per the Installation & Maintenance Guide, will meet

the following provisions of the New Zealand Building Code (NZBC):

- Clause B1 Structure: Performance B1.3.1, B1.3.2, B1.3.4 (a), (b), (c), (d) and (e) for the
- Clause B2 Durability: Performance B2.3.1(b) and B2.3.2(b)
- Clause E2 External Moisture: Performance E2.3.2, E2.3.3, E2.3.5, E2.3.7(b) and (c)
- Clause F2 Hazardous Building Materials: Performance F2.3.1

- This Weatherboard System must be installed by a qualified trade person. Restricted Building Work (RBW) requires a Licensed Building Practitioner (LBP) or supervised by an LBP. It is the specifier's responsibility to ensure that the details are appropriate for the intended application and that additional detailing is obtained for a specific design or any areas that fall outside the scope of the Southern Pine Products & E2/AS1 Acceptable solution.

DETAILS MAY BE SUBJECT TO CHANGE WITHOUT NOTICE



TYPE Southern Pine Products - H3.2 Treatment
 Bevel Back WB - Cavity Fix

NAME WINDOW SILL DETAIL



DRAWING SCALE
 1:2 @ A4

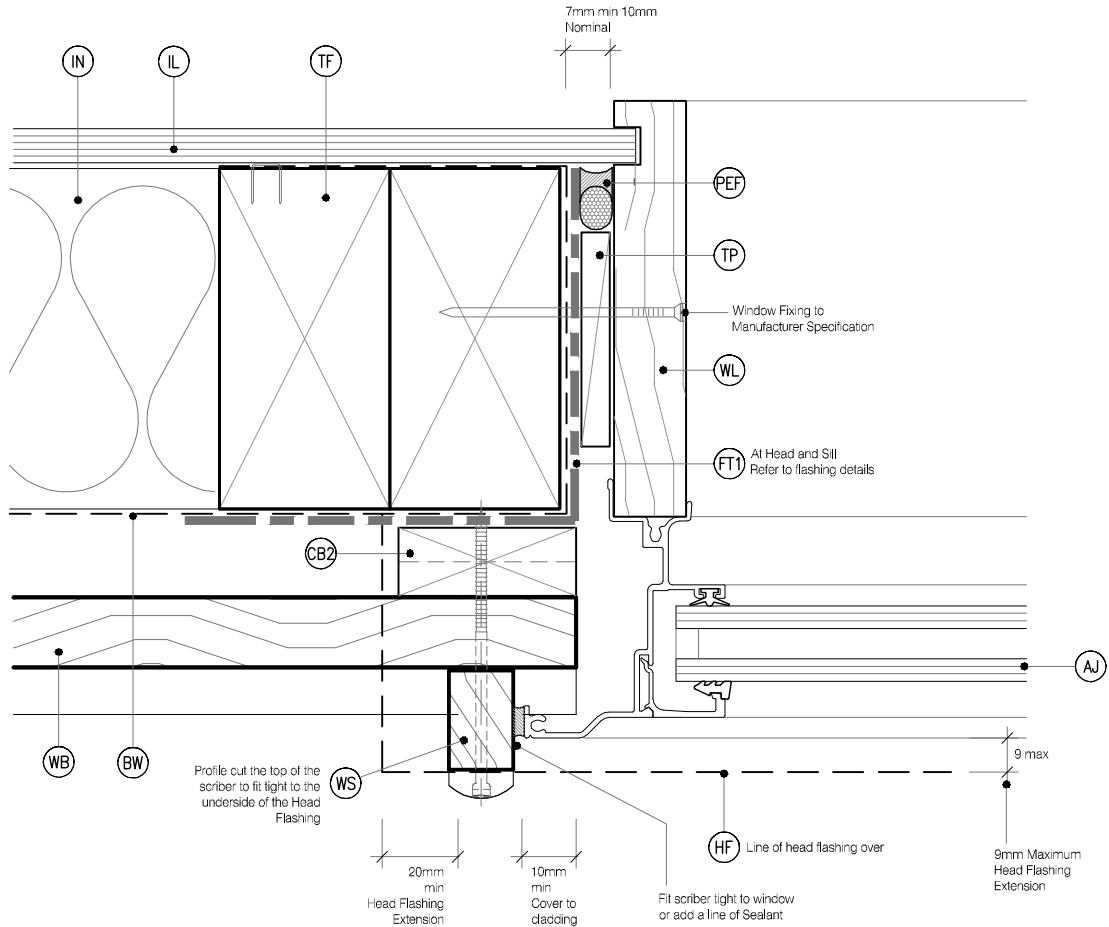
ISSUE DATE
 NOV 2023

DRAWING No SPP CF20 BB11 REVISION

LEGEND :

- | | | |
|--|---|--|
| <p>(AJ) ALUMINIUM JOINERY: Selected double glazed aluminium joinery, To E2/AS1 9.1.10</p> <p>(BW) BUILDING WRAP: Flexible Wall Underlay, As per NZBC E2/AS1 - Table 23, In extra high wind zones, Rigid Underlay required (9.1.7.2 E2/AS1)</p> <p>(CB2) CAVITY BATTEN, VERTICAL: 20mm x 45mm H3.1. To form a 20mm cavity.</p> <p>(CB3) CAVITY BATTEN, VERTICAL - STRUCTURALLY FIXED : 45mm x 45mm SPP Radiata Pine, H3.2 70mm x 45mm SPP Radiata Pine, H3.2 To form a 45mm cavity</p> <p>(CS) CANT STRIP: Southern Pine H3.1 Cant Strip 25mm x 9 mm</p> <p>(SS) SILL SCRIBER: Southern Pine H3.2, Horizontal batten under window as necessary to suit profile, sealant to back of sill scriber</p> | <p>(CC) CAVITY CLOSURE: Cavity closure strip, positioned to give a 15mm Min drip edge to cladding</p> <p>(FT1) FLASHING TAPE: Flashing tape over wrap 70mm (50 min) turn-down required in corners only. Refer to Fig. 72 of NZBC E2/AS1</p> <p>(FT2) FLEXIBLE FLASHING TAPE: Flexible flashing tape lapped over aluminium head flashing or 2nd layer of Building Wrap, taped joint to top of timber frame</p> <p>(HF) HEAD FLASHING: Aluminium head flashing with minimum 15 degree fall, optional hemmed edges as per table 7 E2/AS1</p> <p>(IL) INTERNAL LINING: Selected Internal Lining</p> <p>(PEF) PEF ROD BACKING: Foam backing rod with sealant to cavity in Window perimeter that forms a waterproof air-seal. (Sealant 2:1 Ratio)</p> <p>(TP) TIMBER PACKER: Tan H3.2 Treated Packer</p> | <p>(TF) TIMBER FRAME: H1.2 min treated timber framing</p> <p>(WB) WEATHER BOARD: Southern Pine Bevel Back Weatherboard. Profile to NZS 3617</p> <p>(IN) INSULATION: Selected Insulation</p> <p>(WH) WEATHERHEAD: (OPTIONAL) Southern Pine H3.2, Horizontal batten above window as necessary to suit profile, shaped to shed water, sealant to back of head scriber</p> <p>(WL) WINDOW LINER: As Specified</p> <p>(WS) WINDOW SCRIBER: Southern Pine H3.1, profile cut to fit weatherboard, sealant to back of scriber and 75 x 3,15mm 316 Stainless Steel nail in 3mm predrilled hole. 40x18 or 60x18 depending on weatherboard size</p> <p>(WZ) WANZ SUPPORT: Provide window support as required by joinery manufacturer</p> |
|--|---|--|

NOTE : Where 75x3,15 jolt head nails are referenced, these may be substituted for 75mm jolt head weatherboard screws



DETAILS MAY BE SUBJECT TO CHANGE WITHOUT NOTICE

- DENDRO is Southern Pine's premium product range of H3.2 treated, solid, clear weatherboards. Manufactured from high quality, pruned NZ Radiata Pine. Product warranty, 25 years if used in accordance with the Installation & Maintenance Guide.
- All Southern Pine Weatherboard profiles have been machined to be compliant with NZS 3617 and BRANZ BU411
- The Southern Pine Weatherboard System, if designed and installed as per the Installation & Maintenance Guide, will meet

the following provisions of the New Zealand Building Code (NZBC):

- Clause B1 Structure: Performance B1.3.1, B1.3.2, B1.3.4 (a), (b), (c), (d) and (e) for the
- Clause B2 Durability: Performance B2.3.1(b) and B2.3.2(b)
- Clause E2 External Moisture: Performance E2.3.2, E2.3.3, E2.3.5, E2.3.7(b) and (c)
- Clause F2 Hazardous Building Materials: Performance F2.3.1

- This Weatherboard System must be installed by a qualified trade person. Restricted Building Work (RBW) requires a Licensed Building Practitioner (LBP) or supervised by an LBP. It is the specifier's responsibility to ensure that the details are appropriate for the intended application and that additional detailing is obtained for a specific design or any areas that fall outside the scope of the Southern Pine Products & E2/AS1 Acceptable solution.



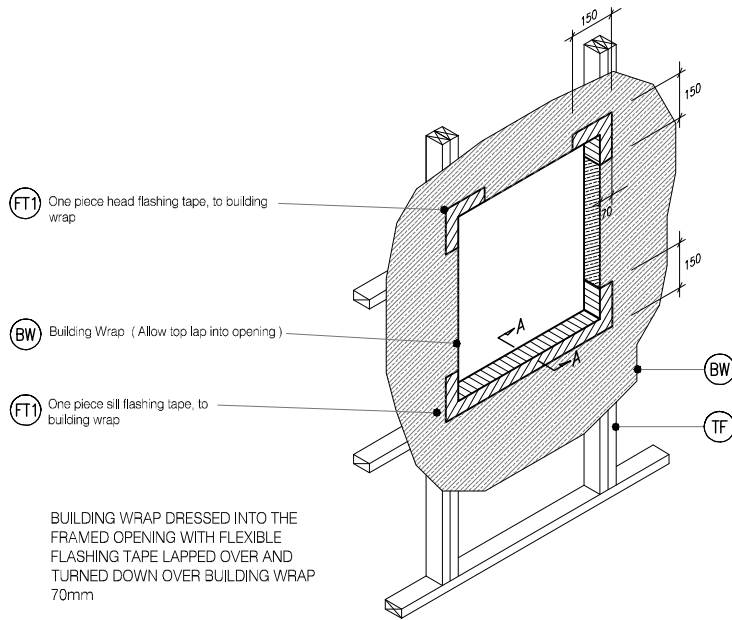
TYPE Southern Pine Products - H3.2 Treatment
 Bevel Back WB - Cavity Fix
 NAME WINDOW JAMB DETAIL



DRAWING SCALE
 1:2 @ A4

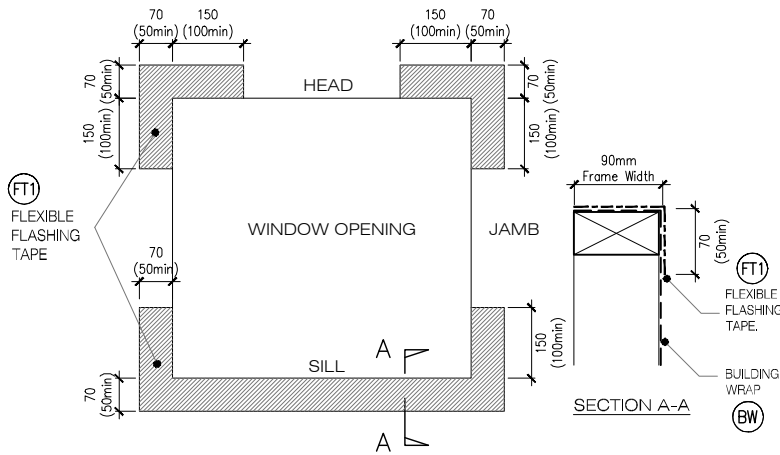
ISSUE DATE
 NOV 2023

DRAWING No	REVISION
SPP CF20 BB12	



BUILDING WRAP DRESSED INTO THE
 FRAMED OPENING WITH FLEXIBLE
 FLASHING TAPE LAPPED OVER AND
 TURNED DOWN OVER BUILDING WRAP
 70mm

W4 TYPICAL WINDOW OPENING (FLASHING TAPE)
 BB13 SCALE : N.T.S



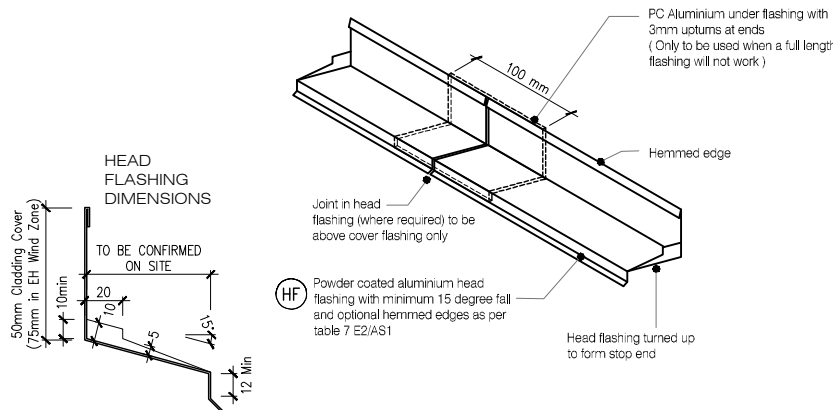
1. DENDRO® is Southern Pine's premium product range of H3.2 treated, solid, clear weatherboards. Manufactured from, high quality, pruned NZ Radiata Pine. Product warranty, 25 years if used in accordance with the Installation & Maintenance Guide.
2. All Southern Pine Weatherboard profiles have been machined to be compliant with NZS 3617 and BRANZ BU411
3. The Southern Pine Weatherboard System, if designed and installed as per the Installation & Maintenance Guide, will meet

the following provisions of the New Zealand Building Code (NZBC):

- Clause B1 Structure: Performance B1.3.1, B1.3.2, B1.3.4 (a), (b), (c), (d) and (e) for the
- Clause B2 Durability: Performance B2.3.1(b) and B2.3.2(b)
- Clause E2 External Moisture: Performance E2.3.2, E2.3.3, E2.3.5, E2.3.7(b) and (c)
- Clause F2 Hazardous Building Materials: Performance F2.3.1

4. This Weatherboard System must be installed by a qualified trade person. Restricted Building Work (RBW) requires a Licensed Building Practitioner (LBP) or supervised by an LBP. It is the specifier's responsibility to ensure that the details are appropriate for the intended application and that additional detailing is obtained for a specific design of any areas that fall outside the scope of the Southern Pine Products & E2/AS1 Acceptable solution.

W5 FLEXIBLE BUILDING WRAP AT OPENING
 BB13 SCALE : 1 / 5 @ A1, 1 / 10 @ A3



ONE PIECE PC ALUMINIUM HEAD FLASHING 15° SLOPE WITH 10mm min COVER TO JOINERY EXTEND 30mm min EITHER SIDE OF JOINERY WITH STOP ENDS

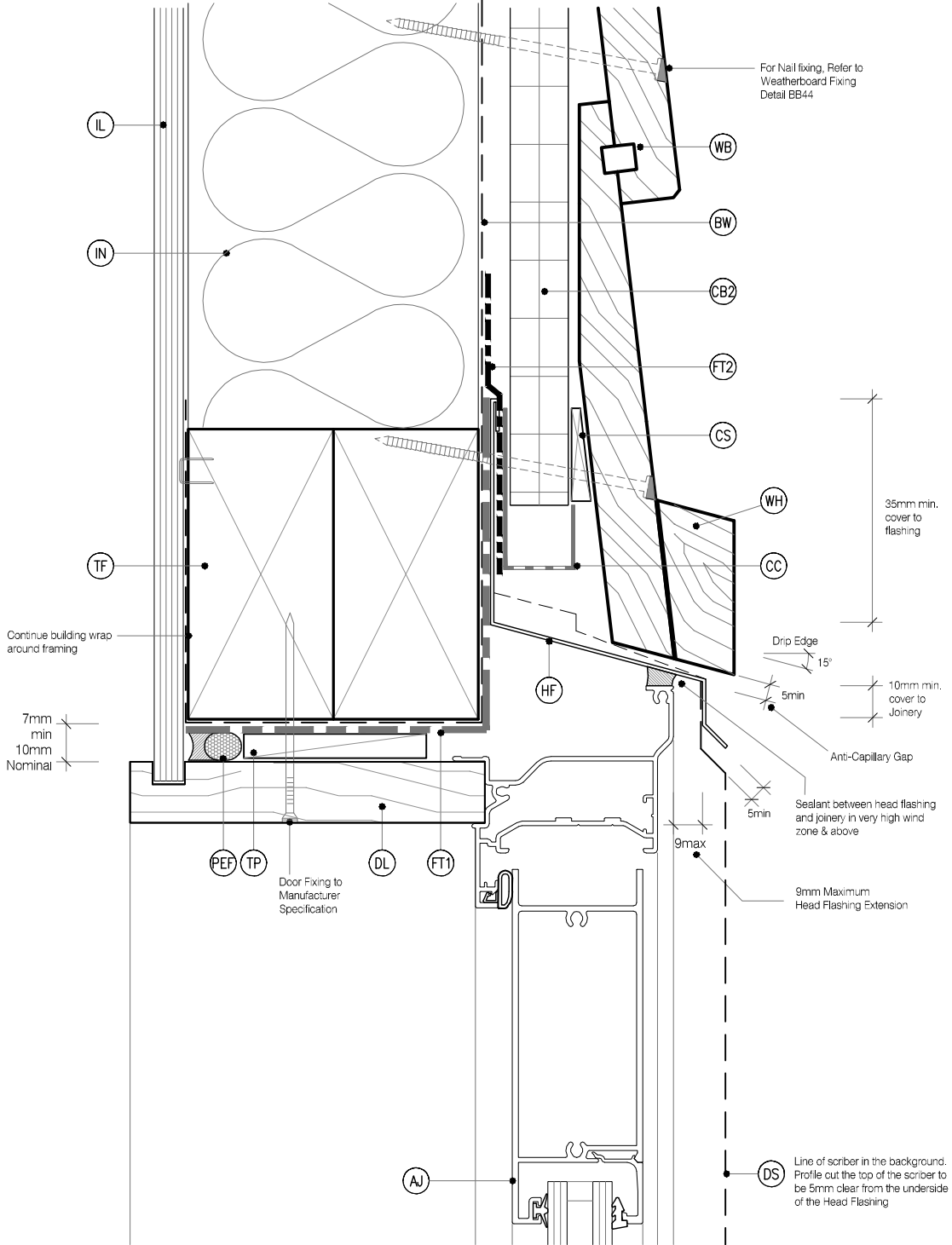
W6 TYPICAL HEAD & FLASHING JOINT
 BB13 SCALE : 1 / 2 @ A1, 1 / 4 @ A3

DETAILS MAY BE SUBJECT TO CHANGE WITHOUT NOTICE

LEGEND :

- | | | |
|--|---|--|
| <ul style="list-style-type: none"> (AJ) ALUMINIUM JOINERY: Selected double glazed aluminium joinery, To E2/AS1 9.1.10 (BW) BUILDING WRAP: Flexible Wall Underlay, As per NZBC E2/AS1 - Table 23. In extra high wind zones, Ridgid Underlay required (9.1.7.2 E2/AS1) (CB2) CAVITY BATTEN, VERTICAL: 20mm x 45mm H3.1. To form a 20mm cavity. (CB3) CAVITY BATTEN, VERTICAL - STRUCTURALLY FIXED : 45mm x 45mm SPP Radiata Pine, H3.2 70mm x 45mm SPP Radiata Pine, H3.2 To form a 45mm cavity (CS) CANT STRIP: Southern Pine H3.1 Cant Strip 25mm x 9 mm (SS) SILL SCRIBER: Southern Pine H3.2, Horizontal batten under window as necessary to suit profile, sealant to back of sill scriber | <ul style="list-style-type: none"> (CC) CAVITY CLOSURE: Cavity closure strip, positioned to give a 15mm Min drip edge to cladding (FT1) FLASHING TAPE: Flashing tape over wrap 70mm (50 min) turn-down required in corners only. Refer to Fig. 72 of NZBC E2/AS1 (FT2) FLEXIBLE FLASHING TAPE: Flexible flashing tape lapped over aluminium head flashing or 2nd layer of Building Wrap, taped joint to top of timber frame (HF) HEAD FLASHING: Aluminium head flashing with minimum 15 degree fall, optional hemmed edges as per table 7 E2/AS1 (IL) INTERNAL LINING: Selected Internal Lining (PEF) PEF ROD BACKING: Foam backing rod with sealant to cavity in Window perimeter that forms a waterproof air-seal. (Sealant 2:1 Ratio) (TP) TIMBER PACKER: Tan H3.2 Treated Packer | <ul style="list-style-type: none"> (TF) TIMBER FRAME: H1.2 min treated timber framing (WB) WEATHER BOARD: Southern Pine Bevel Back Weatherboard. Profile to NZS 3617 (IN) INSULATION: Selected Insulation (WH) WEATHERHEAD: (OPTIONAL) Southern Pine H3.2, Horizontal batten above window as necessary to suit profile, shaped to shed water, sealant to back of head scriber (DL) DOOR LINER: As Specified (DS) DOOR SCRIBER: Southern Pine H3.2 profile cut to fit weatherboard, sealant to back of scriber and 75 x 3.15mm Galvanised nail in 3mm predrilled hole, 40x18 or 65x18 depending on weatherboard size (WZ) WANZ SUPPORT: Provide window support as required by joinery manufacturer |
|--|---|--|

NOTE : Where 75x3.15 jolt head nails are referenced, these may be substituted for 75mm jolt head weatherboard screws

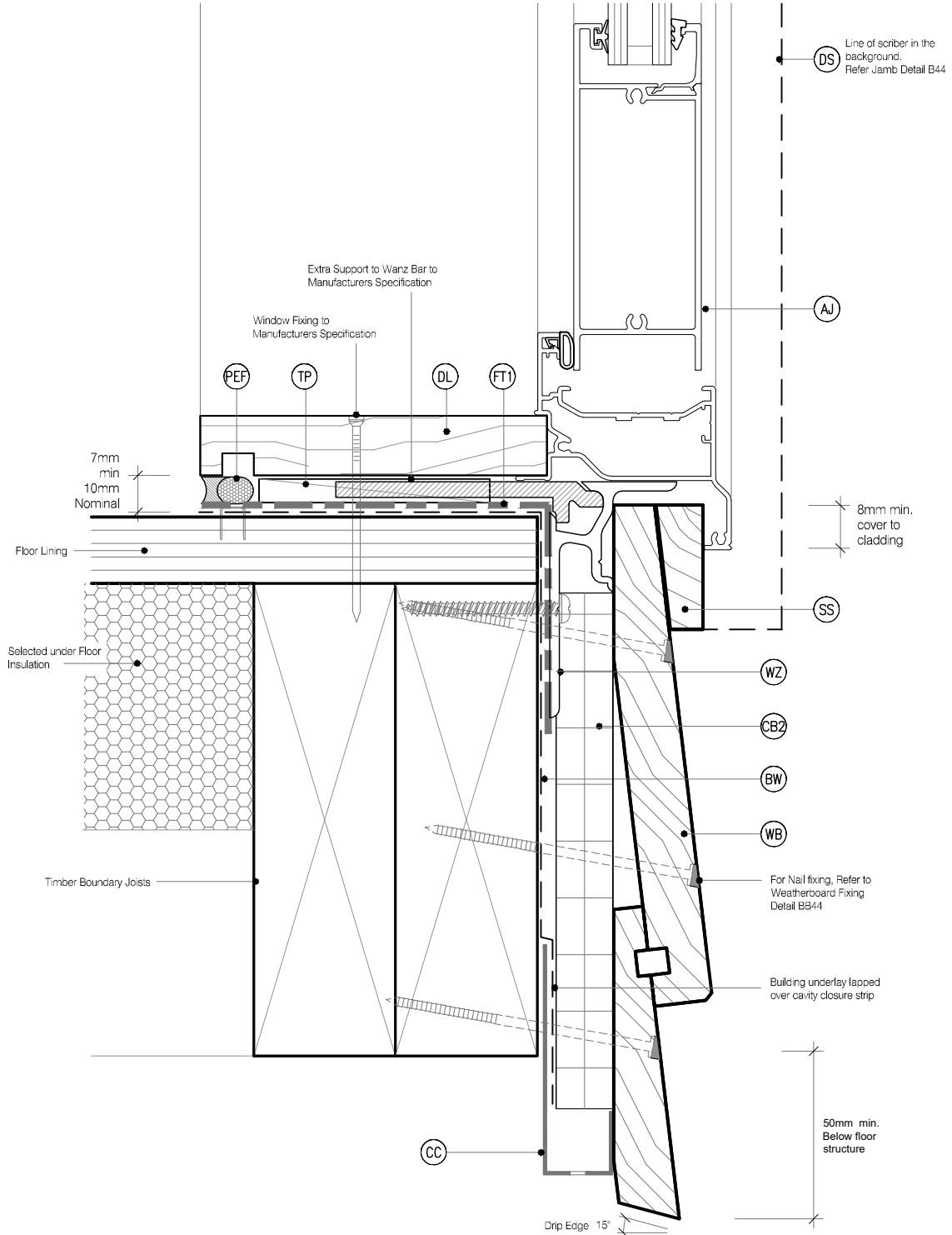


DETAILS MAY BE SUBJECT TO CHANGE WITHOUT NOTICE

LEGEND :

- | | | |
|--|---|--|
| <ul style="list-style-type: none"> (AJ) ALUMINIUM JOINERY: Selected double glazed aluminium joinery, To E2/AS1 9.1.10 (BW) BUILDING WRAP: Flexible Wall Underlay, As per NZBC E2/AS1 - Table 23. In extra high wind zones, Rigid Underlay required (9.1.7.2 E2/AS1) (CB2) CAVITY BATTEN, VERTICAL: 20mm x 45mm H3.1. To form a 20mm cavity. (CB3) CAVITY BATTEN, VERTICAL - STRUCTURALLY FIXED: 45mm x 45mm SPP Radiata Pine, H3.2 70mm x 45mm SPP Radiata Pine, H3.2 To form a 45mm cavity (CS) CANT STRIP: Southern Pine H3.1 Cant Strip 25mm x 9 mm (SS) SILL SCRIBER: Southern Pine H3.2, Horizontal batten under window as necessary to suit profile, sealant to back of sill scriber | <ul style="list-style-type: none"> (CC) CAVITY CLOSURE: Cavity closure strip, positioned to give a 15mm Min drip edge to cladding (FT1) FLASHING TAPE: Flashing tape over wrap 70mm (50 min) turn-down required in corners only. Refer to Fig. 72 of NZBC E2/AS1 (FT2) FLEXIBLE FLASHING TAPE: Flexible flashing tape lapped over aluminium head flashing or 2nd layer of Building Wrap, taped joint to top of timber frame (HF) HEAD FLASHING: Aluminium head flashing with minimum 15 degree fall, optional hemmed edges as per table 7 E2/AS1 (IL) INTERNAL LINING: Selected Internal Lining (PEF) PEF ROD BACKING: Foam backing rod with sealant to cavity in Window perimeter that forms a waterproof air-seal. (Sealant 2:1 Ratio) (TP) TIMBER PACKER: Tan H3.2 Treated Packer | <ul style="list-style-type: none"> (TF) TIMBER FRAME: H1.2 min treated timber framing (WB) WEATHER BOARD: Southern Pine Bevel Back Weatherboard. Profile to NZS 3617 (IN) INSULATION: Selected Insulation (WH) WEATHERHEAD: (OPTIONAL) Southern Pine H3.2, Horizontal batten above window as necessary to suit profile, shaped to shed water, sealant to back of head scriber (DL) DOOR LINER: As Specified (DS) DOOR SCRIBER: Southern Pine H3.2 profile cut to fit weatherboard, sealant to back of scriber and 75 x 3.15mm Galvanised nail in 3mm predrilled hole, 40x18 or 65x18 depending on weatherboard size (WZ) WANZ SUPPORT: Provide window support as required by joinery manufacturer |
|--|---|--|

NOTE : Where 75x3.15 jolt head nails are referenced, these may be substituted for 75mm jolt head weatherboard screws

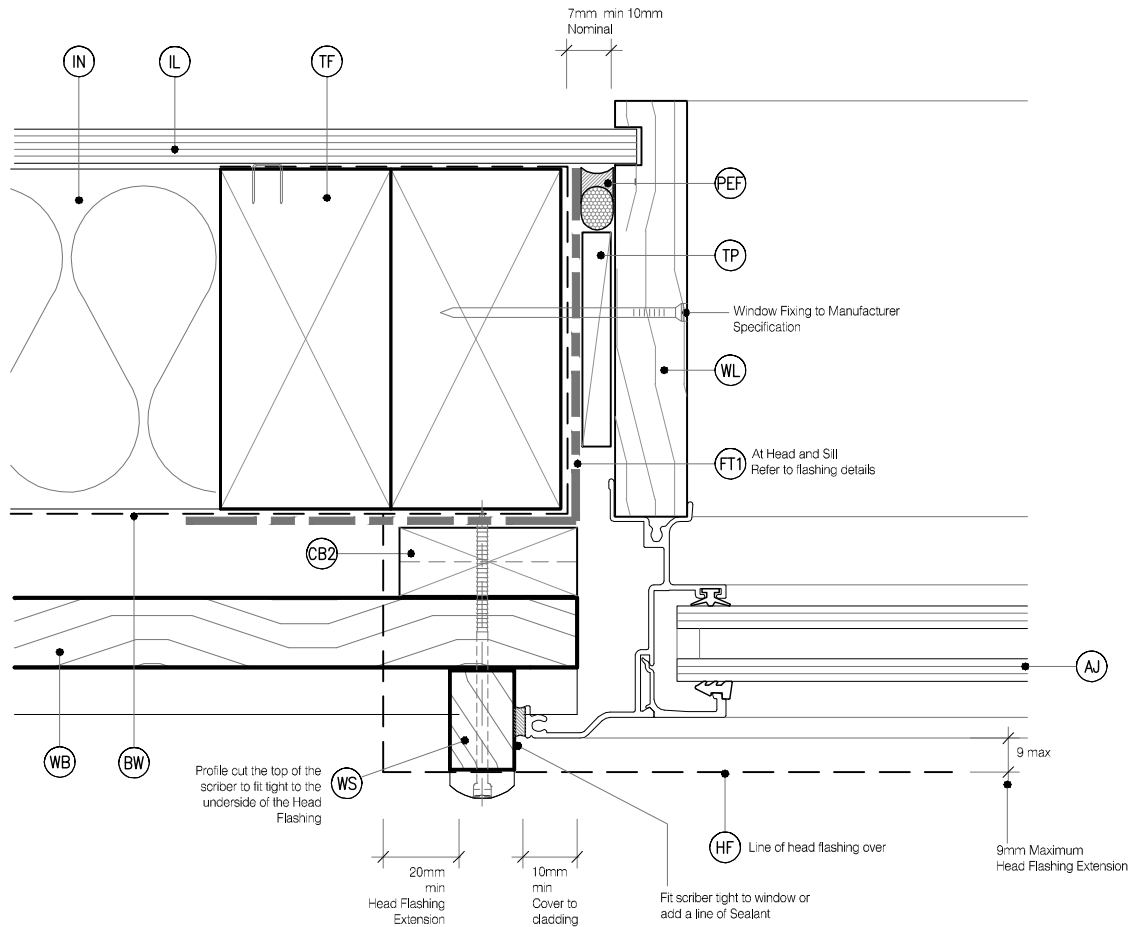


DETAILS MAY BE SUBJECT TO CHANGE WITHOUT NOTICE

LEGEND :

<p>(AJ) ALUMINIUM JOINERY: Selected double glazed aluminium joinery, To E2/AS1 9.1.10</p> <p>(BW) BUILDING WRAP: Flexible Wall Underlay, As per NZBC E2/AS1 - Table 23. In extra high wind zones, Rigid Underlay required (9.1.7.2 E2/AS1)</p> <p>(CB2) CAVITY BATTEN, VERTICAL: 20mm x 45mm H3.1. To form a 20mm cavity.</p> <p>(CB3) CAVITY BATTEN, VERTICAL - STRUCTURALLY FIXED : 45mm x 45mm SPP Radiata Pine, H3.2 70mm x 45mm SPP Radiata Pine, H3.2 To form a 45mm cavity</p> <p>(CS) CANT STRIP: Southern Pine H3.1 Cant Strip 25mm x 9 mm</p> <p>(SS) SILL SCRIBER: Southern Pine H3.2, Horizontal batten under window as necessary to suit profile, sealant to back of sill scriber</p>	<p>(CC) CAVITY CLOSURE: Cavity closure strip, positioned to give a 15mm Min drip edge to cladding</p> <p>(FT1) FLASHING TAPE: Flashing tape over wrap 70mm (50 min) turn-down required in corners only. Refer to Fig. 72 of NZBC E2/AS1</p> <p>(FT2) FLEXIBLE FLASHING TAPE: Flexible flashing tape lapped over aluminium head flashing or 2nd layer of Building Wrap, taped joint to top of timber frame</p> <p>(HF) HEAD FLASHING: Aluminium head flashing with minimum 15 degree fall, optional hemmed edges as per table 7 E2/AS1</p> <p>(IL) INTERNAL LINING: Selected Internal Lining</p> <p>(PEF) PEF ROD BACKING: Foam backing rod with sealant to cavity in Window perimeter that forms a waterproof air-seal. (Sealant 2:1 Ratio)</p> <p>(TP) TIMBER PACKER: Tan H3.2 Treated Packer</p>	<p>(TF) TIMBER FRAME: H1.2 min treated timber framing</p> <p>(WB) WEATHER BOARD: Southern Pine Bevel Back Weatherboard. Profile to NZS 3617</p> <p>(IN) INSULATION: Selected Insulation</p> <p>(WH) WEATHERHEAD: (OPTIONAL) Southern Pine H3.2, Horizontal batten above window as necessary to suit profile, shaped to shed water, sealant to back of head scriber</p> <p>(DL) DOOR LINER: As Specified</p> <p>(DS) DOOR SCRIBER: Southern Pine H3.2 profile cut to fit weatherboard, sealant to back of scriber and 75 x 3.15mm Galvanised nail in 3mm predrilled hole, 40x18 or 65x18 depending on weatherboard size</p> <p>(WZ) WANZ SUPPORT: Provide window support as required by joinery manufacturer</p>
--	---	--

NOTE : Where 75x3.15 jolt head nails are referenced, these may be substituted for 75mm jolt head weatherboard screws



DETAILS MAY BE SUBJECT TO CHANGE WITHOUT NOTICE

- DENDRO® is Southern Pine's premium product range of H3.2 treated, solid, clear weatherboards. Manufactured from high quality, pruned NZ Radiata Pine. Product warranty, 25 years if used in accordance with the Installation & Maintenance Guide.
- All Southern Pine Weatherboard profiles have been machined to be compliant with NZS 3617 and BRANZ BU411
- The Southern Pine Weatherboard System, if designed and installed as per the Installation & Maintenance Guide, will meet

the following provisions of the New Zealand Building Code (NZBC):

- Clause B1 Structure: Performance B1.3.1, B1.3.2, B1.3.4 (a), (b), (c), (d) and (e) for the
- Clause B2 Durability: Performance B2.3.1(b) and B2.3.2(b)
- Clause E2 External Moisture: Performance E2.3.2, E2.3.3, E2.3.5, E2.3.7(b) and (c)
- Clause F2 Hazardous Building Materials: Performance F2.3.1

- This Weatherboard System must be installed by a qualified trade person. Restricted Building Work (RBW) requires a Licensed Building Practitioner (LBP) or supervised by an LBP. It is the specifier's responsibility to ensure that the details are appropriate for the intended application and that additional detailing is obtained for a specific design or any areas that fall outside the scope of the Southern Pine Products & E2/AS1 Acceptable solution.



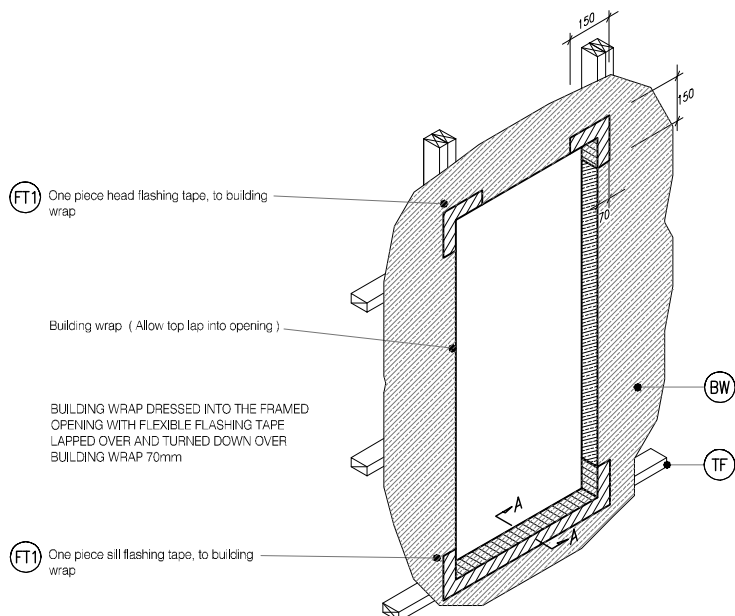
TYPE Southern Pine Products - H3.2 Treatment
 Bevel Back WB - Cavity Fix
 NAME DOOR JAMB DETAIL



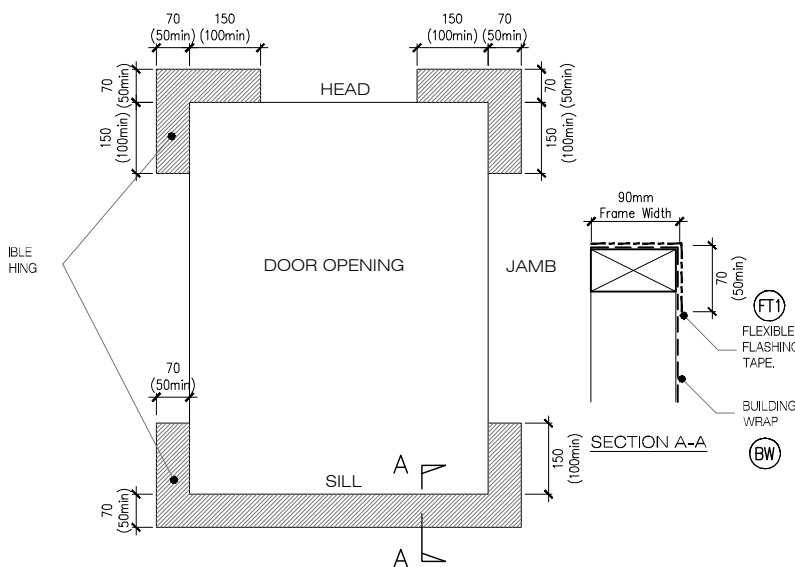
DRAWING SCALE
 1:2 @ A4

ISSUE DATE
 NOV 2023

DRAWING No SPP CF20 BB22
 REVISION

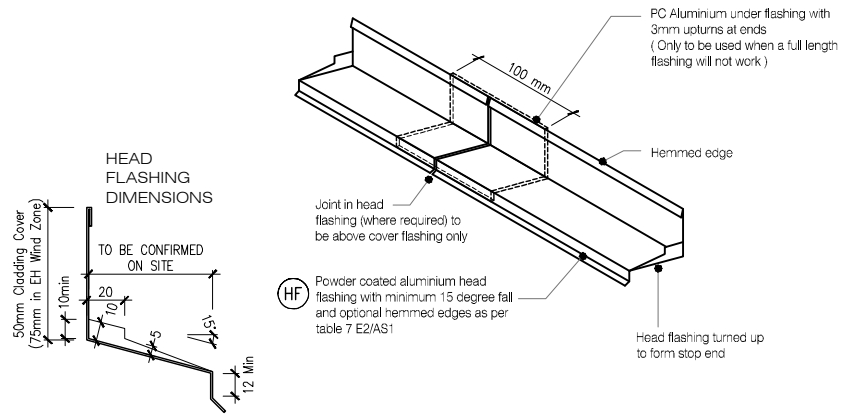


D4 TYPICAL DOOR OPENING (FLASHING TAPE)
 BB23 SCALE : N.T.S



- DENDRO® is Southern Pine's premium product range of H3.2 treated, solid, clear weatherboards. Manufactured from, high quality, pruned NZ Radiata Pine. Product warranty, 25 years if used in accordance with the Installation & Maintenance Guide.
- All Southern Pine Weatherboard profiles have been machined to be compliant with NZS 3617 and BRANZ BU411
- The Southern Pine Weatherboard System, if designed and installed as per the Installation & Maintenance Guide, will meet the following provisions of the New Zealand Building Code (NZBC):
 - Clause B1 Structure: Performance B1.3.1, B1.3.2, B1.3.4 (a), (b), (c), (d) and (e) for the
 - Clause B2 Durability: Performance B2.3.1(b) and B2.3.2(b)
 - Clause E2 External Moisture: Performance E2.3.2, E2.3.3, E2.3.5, E2.3.7(b) and (c)
 - Clause F2 Hazardous Building Materials: Performance F2.3.1
- This Weatherboard System must be installed by a qualified trade person. Restricted Building Work (RBW) requires a Licensed Building Practitioner (LBP) or supervised by an LBP. It is the specifier's responsibility to ensure that the details are appropriate for the intended application and that additional detailing is obtained for a specific design of any areas that fall outside the scope of the Southern Pine Products & E2/AS1 Acceptable solution.

D5 FLEXIBLE BUILDING WRAP AT OPENING
 BB23 SCALE : 1 / 5 @ A1, 1 / 10 @ A3



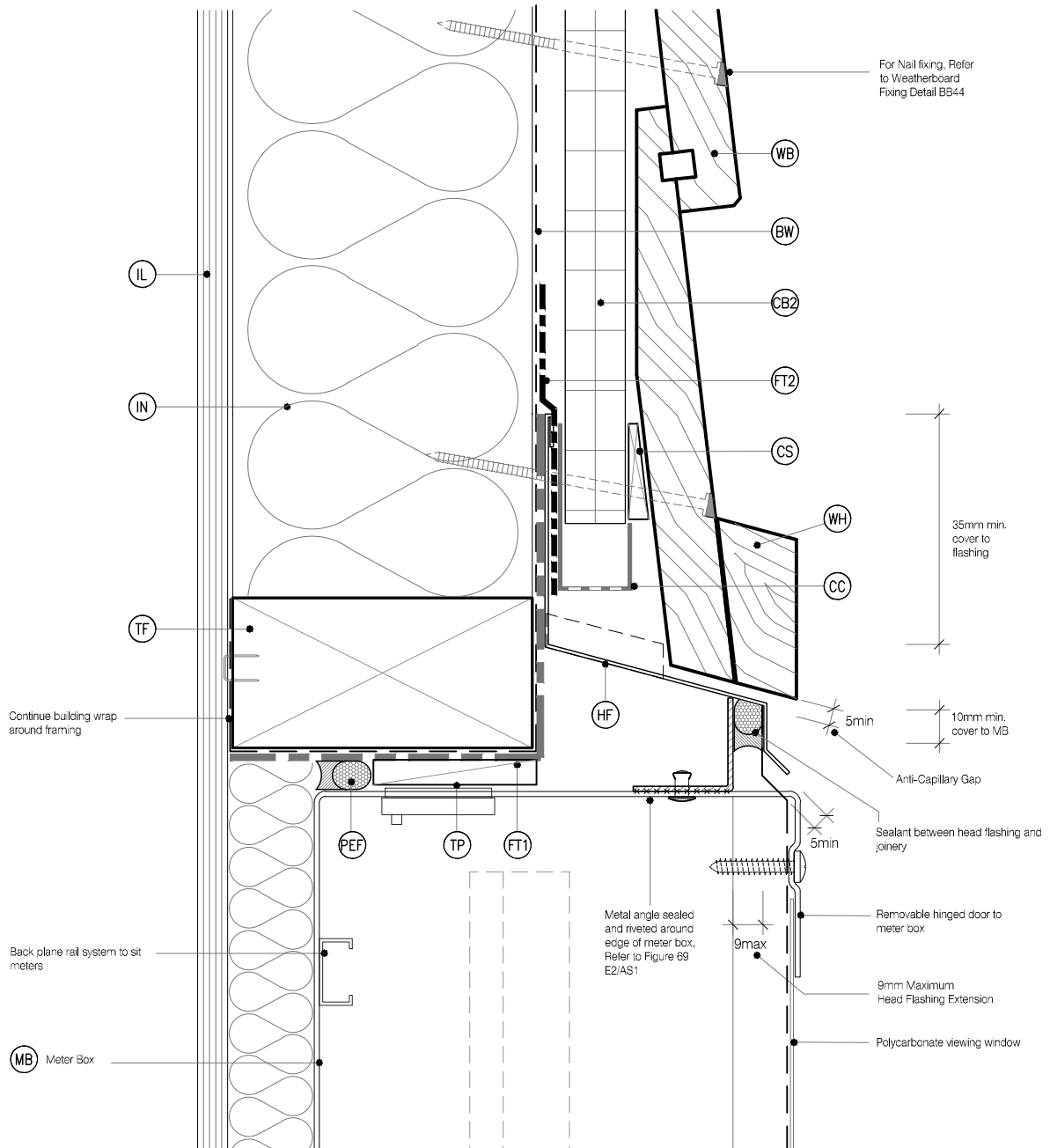
ONE PIECE PC ALUMINIUM HEAD FLASHING 15° SLOPE WITH 10mm min COVER TO JOINERY EXTEND 30mm min EITHER SIDE OF JOINERY WITH STOP ENDS

D6 TYPICAL HEAD & FLASHING JOINT
 BB23 SCALE : 1 / 2 @ A1, 1 / 4 @ A3

LEGEND :

- | | | |
|---|---|---|
| <p>(MB) METER BOX: Electrical meter box, with removable hinged door and polycarbonate viewing window</p> <p>(BW) BUILDING WRAP: Flexible Wall Underlay, As per NZBC E2/AS1 - Table 23. In extra high wind zones, Rigid Underlay required (9.1.7.2 E2/AS1)</p> <p>(CB2) CAVITY BATTEN, VERTICAL: 20mm x 45mm H3.1. To form a 20mm cavity.</p> <p>(CB3) CAVITY BATTEN, VERTICAL - STRUCTURALLY FIXED : 45mm x 45mm SPP Radiata Pine, H3.2 70mm x 45mm SPP Radiata Pine, H3.2 To form a 45mm cavity</p> <p>(CS) CANT STRIP: Southern Pine H3.1 Cant Strip 25mm x 9 mm</p> <p>(SS) SILL SCRIBER: Southern Pine H3.2. Horizontal batten under window as necessary to suit profile, sealant to back of sill scriber</p> | <p>(CC) CAVITY CLOSURE: Cavity closure strip, positioned to give a 15mm Min drip edge to cladding</p> <p>(FT1) FLASHING TAPE: Flashing tape over wrap 70mm (50 min) turn-down required in corners only. Refer to Fig. 72 of NZBC E2/AS1</p> <p>(FT2) FLEXIBLE FLASHING TAPE: Flexible flashing tape lapped over aluminium head flashing or 2nd layer of Building Wrap, taped joint to top of timber frame</p> <p>(HF) HEAD FLASHING: Aluminium head flashing with minimum 15 degree fall, optional hemmed edges as per table 7 E2/AS1</p> <p>(IL) INTERNAL LINING: Selected Internal Lining</p> <p>(PEF) PEF ROD BACKING: Foam backing rod with sealant to cavity in Window perimeter that forms a waterproof air-seal. (Sealant 2:1 Ratio)</p> <p>(TP) TIMBER PACKER: Tan H3.2 Treated Packer</p> | <p>(TF) TIMBER FRAME: H1.2 min treated timber framing</p> <p>(IN) INSULATION: Selected Insulation</p> <p>(WB) WEATHER BOARD: Southern Pine Bevel Back Weatherboard. Profile to NZS 3617</p> <p>(WL) WINDOW LINER: As Specified</p> <p>(WH) WEATHERHEAD: (OPTIONAL) Southern Pine, Horizontal batten above meter box as necessary to suit profile, shaped to shed water, sealant to back of head scriber</p> <p>(MS) METER BOX SCRIBER: Southern Pine H3.1, profile cut to fit weatherboard, sealant to back of scriber and 75 x 3.15mm 316 Stainless Steel nail in 3mm predrilled hole. 40x18 or 60x18 depending on weatherboard size</p> |
|---|---|---|

NOTE : Where 75x3.15 jolt head nails are referenced, these may be substituted for 75mm jolt head weatherboard screws



DETAILS MAY BE SUBJECT TO CHANGE WITHOUT NOTICE

- DENDRO is Southern Pine's premium product range of H3.2 treated, solid, clear weatherboards. Manufactured from high quality, pruned NZ Radiata Pine. Product warranty, 25 years if used in accordance with the Installation & Maintenance Guide.
- All Southern Pine Weatherboard profiles have been machined to be compliant with NZS 3617 and BRANZ BU411
- The Southern Pine Weatherboard System, if designed and installed as per the Installation & Maintenance Guide, will meet

- the following provisions of the New Zealand Building Code (NZBC):
- Clause B1 Structure: Performance B1.3.1, B1.3.2, B1.3.4 (a), (b), (c), (d) and (e) for the
 - Clause B2 Durability: Performance B2.3.1(b) and B2.3.2(b)
 - Clause E2 External Moisture: Performance E2.3.2, E2.3.3, E2.3.5, E2.3.7(b) and (c)
 - Clause F2 Hazardous Building Materials: Performance F2.3.1

- This Weatherboard System must be installed by a qualified trade person. Restricted Building Work (RBW) requires a Licensed Building Practitioner (LBP) or supervised by an LBP. It is the specifier's responsibility to ensure that the details are appropriate for the intended application and that additional detailing is obtained for a specific design or any areas that fall outside the scope of the Southern Pine Products & E2/AS1 Acceptable solution.



TYPE Southern Pine Products - H3.2 Treatment
 Bevel Back WB - Cavity Fix
 NAME METER BOX HEAD DETAIL

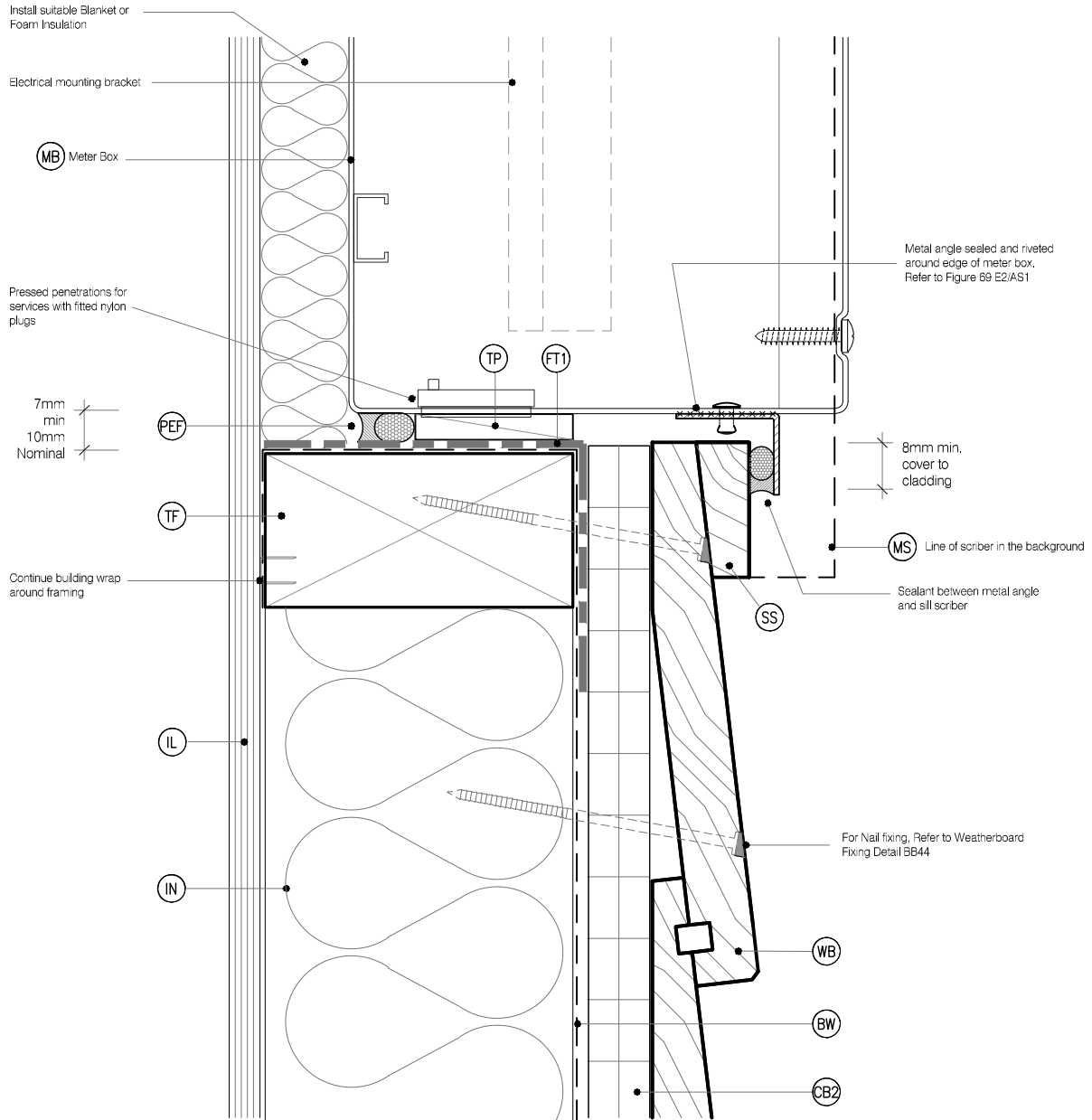


DRAWING SCALE 1:2 @ A4	ISSUE DATE NOV 2023
DRAWING No SPP CF20 BB30	REVISION

LEGEND :

- | | | |
|--|---|---|
| <p>(MB) METER BOX: Electrical meter box, with removable hinged door and polycarbonate viewing window</p> <p>(BW) BUILDING WRAP: Flexible Wall Underlay, As per NZBC E2/AS1 - Table 23. In extra high wind zones, Ridgid Underlay required (9.1.7.2 E2/AS1)</p> <p>(CB2) CAVITY BATTEN, VERTICAL: 20mm x 45mm H3.1. To form a 20mm cavity.</p> <p>(CB3) CAVITY BATTEN, VERTICAL - STRUCTURALLY FIXED : 45mm x 45mm SPP Radiata Pine, H3.2 70mm x 45mm SPP Radiata Pine, H3.2 To form a 45mm cavity</p> <p>(CS) CANT STRIP: Southern Pine H3.1 Cant Strip 25mm x 9 mm</p> <p>(SS) SILL SCRIBER: Southern Pine H3.2. Horizontal batten under window as necessary to suit profile, sealant to back of sill scriber</p> | <p>(CC) CAVITY CLOSURE: Cavity closure strip, positioned to give a 15mm Min drip edge to cladding</p> <p>(FT1) FLASHING TAPE: Flashing tape over wrap 70mm (50 min) turn-down required in corners only. Refer to Fig. 72 of NZBC E2/AS1</p> <p>(FT2) FLEXIBLE FLASHING TAPE: Flexible flashing tape lapped over aluminium head flashing or 2nd layer of Building Wrap, taped joint to top of timber frame</p> <p>(HF) HEAD FLASHING: Aluminium head flashing with minimum 15 degree fall, optional hemmed edges as per table 7 E2/AS1</p> <p>(IL) INTERNAL LINING: Selected Internal Lining</p> <p>(PEF) PEF ROD BACKING: Foam backing rod with sealant to cavity in Window perimeter that forms a waterproof air-seal. (Sealant 2:1 Ratio)</p> <p>(TP) TIMBER PACKER: Tan H3.2 Treated Packer</p> | <p>(TF) TIMBER FRAME: H1.2 min treated timber framing</p> <p>(IN) INSULATION: Selected Insulation</p> <p>(WB) WEATHER BOARD: Southern Pine Bevel Back Weatherboard. Profile to NZS 3617</p> <p>(WL) WINDOW LINER: As Specified</p> <p>(WH) WEATHERHEAD: (OPTIONAL) Southern Pine, Horizontal batten above meter box as necessary to suit profile, shaped to shed water, sealant to back of head scriber</p> <p>(MS) METER BOX SCRIBER: Southern Pine H3.1, profile cut to fit weatherboard, sealant to back of scriber and 75 x 3.15mm 316 Stainless Steel nail in 3mm predrilled hole. 40x18 or 60x18 depending on weatherboard size</p> |
|--|---|---|

NOTE : Where 75x3.15 jolt head nails are referenced, these may be substituted for 75mm jolt head weatherboard screws



- DENDRO is Southern Pine's premium product range of H3.2 treated, solid, clear weatherboards. Manufactured from high quality, pruned NZ Radiata Pine. Product warranty, 25 years if used in accordance with the Installation & Maintenance Guide.
- All Southern Pine Weatherboard profiles have been machined to be compliant with NZS 3617 and BRANZ BU411
- The Southern Pine Weatherboard System, if designed and installed as per the Installation & Maintenance Guide, will meet

- the following provisions of the New Zealand Building Code (NZBC):
- Clause B1 Structure: Performance B1.3.1, B1.3.2, B1.3.4 (a), (b), (c), (d) and (e) for the
 - Clause B2 Durability: Performance B2.3.1 (b) and B2.3.2 (b)
 - Clause E2 External Moisture: Performance E2.3.2, E2.3.3, E2.3.5, E2.3.7 (b) and (c)
 - Clause F2 Hazardous Building Materials: Performance F2.3.1

- This Weatherboard System must be installed by a qualified trade person. Restricted Building Work (RBW) requires a Licensed Building Practitioner (LBP) or supervised by an LBP. It is the specifier's responsibility to ensure that the details are appropriate for the intended application and that additional detailing is obtained for a specific design or any areas that fall outside the scope of the Southern Pine Products & E2/AS1 Acceptable solution.

DETAILS MAY BE SUBJECT TO CHANGE WITHOUT NOTICE



TYPE Southern Pine Products - H3.2 Treatment
 Bevel Back WB - Cavity Fix

NAME METER BOX SILL DETAIL



DRAWING SCALE
 1:2 @ A4

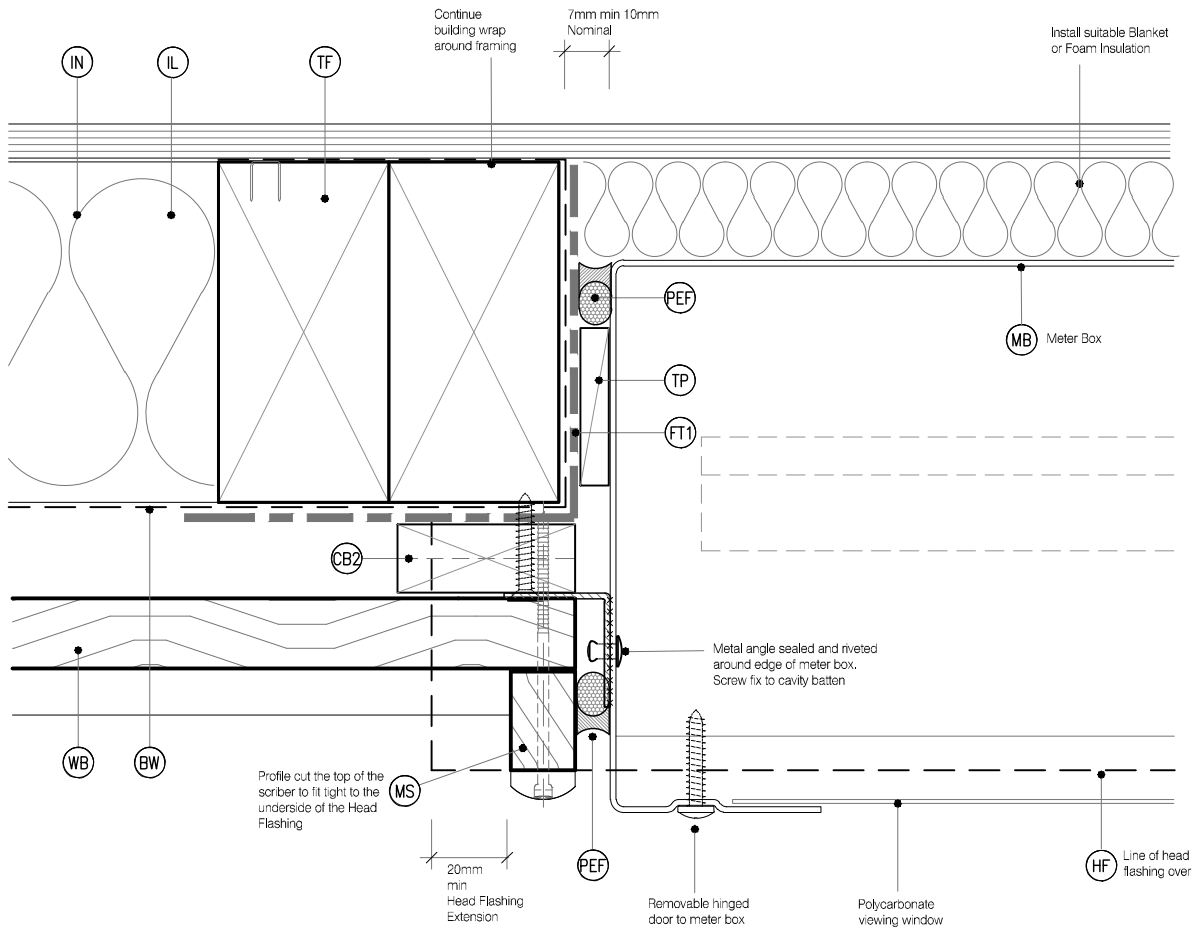
ISSUE DATE
 NOV 2023

DRAWING No SPP CF20 BB31 REVISION

LEGEND :

- | | | |
|---|---|--|
| <p>(MB) METER BOX: Electrical meter box, with removable hinged door and polycarbonate viewing window</p> <p>(BW) BUILDING WRAP: Flexible Wall Underlay, As per NZBC E2/AS1 - Table 23. In extra high wind zones, Rigid Underlay required (9.1.7.2 E2/AS1)</p> <p>(CB2) CAVITY BATTEN, VERTICAL: 20mm x 45mm H3.1. To form a 20mm cavity.</p> <p>(CB3) CAVITY BATTEN, VERTICAL - STRUCTURALLY FIXED : 45mm x 45mm SPP Radiata Pine, H3.2 70mm x 45mm SPP Radiata Pine, H3.2 To form a 45mm cavity</p> <p>(CS) CANT STRIP: Southern Pine H3.1 Cant Strip 25mm x 9 mm</p> <p>(SS) SILL SCRIBER: Southern Pine H3.2, Horizontal batten under window as necessary to suit profile, sealant to back of sill scriber</p> | <p>(CC) CAVITY CLOSURE: Cavity closure strip, positioned to give a 15mm Min drip edge to cladding</p> <p>(FT1) FLASHING TAPE: Flashing tape over wrap 70mm (50 min) turn-down required in corners only. Refer to Fig. 72 of NZBC E2/AS1</p> <p>(FT2) FLEXIBLE FLASHING TAPE: Flexible flashing tape lapped over aluminium head flashing or 2nd layer of Building Wrap, taped joint to top of timber frame</p> <p>(HF) HEAD FLASHING: Aluminium head flashing with minimum 15 degree fall, optional hemmed edges as per table 7 E2/AS1</p> <p>(IL) INTERNAL LINING: Selected Internal Lining</p> <p>(PEF) PEF ROD BACKING: Foam backing rod with sealant to cavity in Window perimeter that forms a waterproof air-seal. (Sealant 2:1 Ratio)</p> <p>(TP) TIMBER PACKER: Tan H3.2 Treated Packer</p> | <p>(TF) TIMBER FRAME: H1.2 min treated timber framing</p> <p>(IN) INSULATION: Selected Insulation</p> <p>(WB) WEATHER BOARD: Southern Pine Bevel Back Weatherboard, Profile to NZS 3617</p> <p>(WL) WINDOW LINER: As Specified</p> <p>(WH) WEATHERHEAD: (OPTIONAL) Southern Pine, Horizontal batten above meter box as necessary to suit profile, sealant to shed water, sealant to back of head scriber</p> <p>(MS) METER BOX SCRIBER: Southern Pine H3.1, profile cut to fit weatherboard, sealant to back of scriber and 75 x 3.15mm 316 Stainless Steel nail in 3mm predrilled hole, 40x18 or 60x18 depending on weatherboard size</p> |
|---|---|--|

NOTE : Where 75x3.15 jolt head nails are referenced, these may be substituted for 75mm jolt head weatherboard screws



DETAILS MAY BE SUBJECT TO CHANGE WITHOUT NOTICE

- DENDRO is Southern Pine's premium product range of H3.2 treated, solid, clear weatherboards. Manufactured from, high quality, pruned NZ Radiata Pine. Product warranty, 25 years if used in accordance with the Installation & Maintenance Guide.
- All Southern Pine Weatherboard profiles have been machined to be compliant with NZS 3617 and BRANZ BU411
- The Southern Pine Weatherboard System, if designed and installed as per the Installation & Maintenance Guide, will meet

- the following provisions of the New Zealand Building Code (NZBC):
- Clause B1 Structure: Performance B1.3.1, B1.3.2, B1.3.4 (a), (b), (c), (d) and (e) for the
 - Clause B2 Durability: Performance B2.3.1 (b) and B2.3.2 (b)
 - Clause E2 External Moisture: Performance E2.3.2, E2.3.3, E2.3.5, E2.3.7 (b) and (c)
 - Clause F2 Hazardous Building Materials: Performance F2.3.1

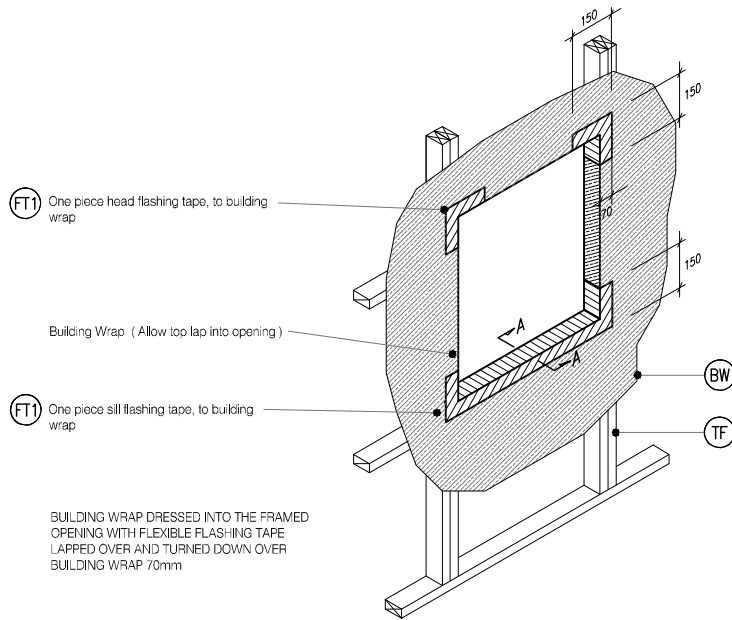
- This Weatherboard System must be installed by a qualified trade person. Restricted Building Work (RBW) requires a Licensed Building Practitioner (LBP) or supervised by an LBP. It is the specifier's responsibility to ensure that the details are appropriate for the intended application and that additional detailing is obtained for a specific design or any areas that fall outside the scope of the Southern Pine Products & E2/AS1 Acceptable solution.



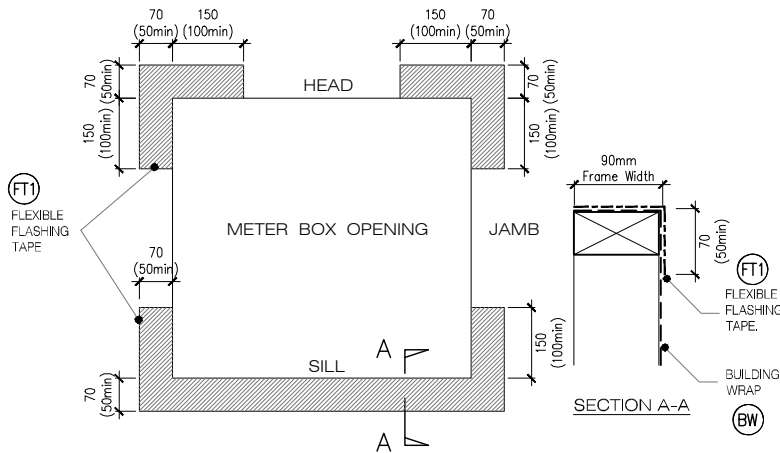
TYPE Southern Pine Products - H3.2 Treatment
 Bevel Back WB - Cavity Fix
 NAME METER BOX JAMB DETAIL



DRAWING SCALE 1:2 @ A4	ISSUE DATE NOV 2023
DRAWING No SPP CF20 BB32	REVISION



M4 TYPICAL METER BOX OPENING (FLASHING TAPE)
 BB33 SCALE : N.T.S



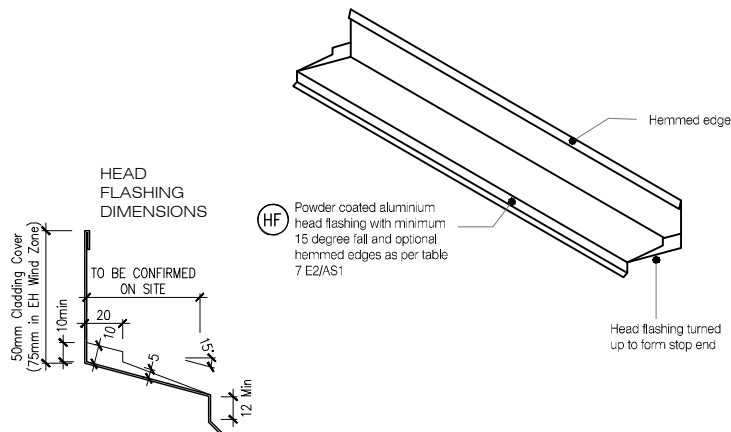
1. DENDRO® is Southern Pine's premium product range of H3.2 treated, solid, clear weatherboards. Manufactured from, high quality, pruned NZ Radiata Pine. Product warranty, 25 years if used in accordance with the Installation & Maintenance Guide. All Southern Pine Weatherboard profiles have been machined to be compliant with NZS 3617 and BRANZ BU411
2. The Southern Pine Weatherboard System, if designed and installed as per the Installation & Maintenance Guide, will meet

the following provisions of the New Zealand Building Code (NZBC):

- Clause B1 Structure: Performance B1.3.1, B1.3.2, B1.3.4 (a), (b), (c), (d) and (e) for the
- Clause B2 Durability: Performance B2.3.1(b) and B2.3.2(b)
- Clause E2 External Moisture: Performance E2.3.2, E2.3.3, E2.3.5, E2.3.7(b) and (c)
- Clause F2 Hazardous Building Materials: Performance F2.3.1

4. This Weatherboard System must be installed by a qualified trade person. Restricted Building Work (RBW) requires a Licensed Building Practitioner (LBP) or supervised by an LBP. It is the specifier's responsibility to ensure that the details are appropriate for the intended application and that additional detailing is obtained for a specific design of any areas that fall outside the scope of the Southern Pine Products & E2/AS1 Acceptable solution.

M5 FLEXIBLE BUILDING WRAP AT OPENING
 BB33 SCALE : 1 / 5 @ A1, 1 / 10 @ A3



ONE PIECE PC ALUMINIUM HEAD FLASHING 15° SLOPE WITH 10mm min COVER TO JOINERY EXTEND 30mm min EITHER SIDE OF JOINERY WITH STOP ENDS

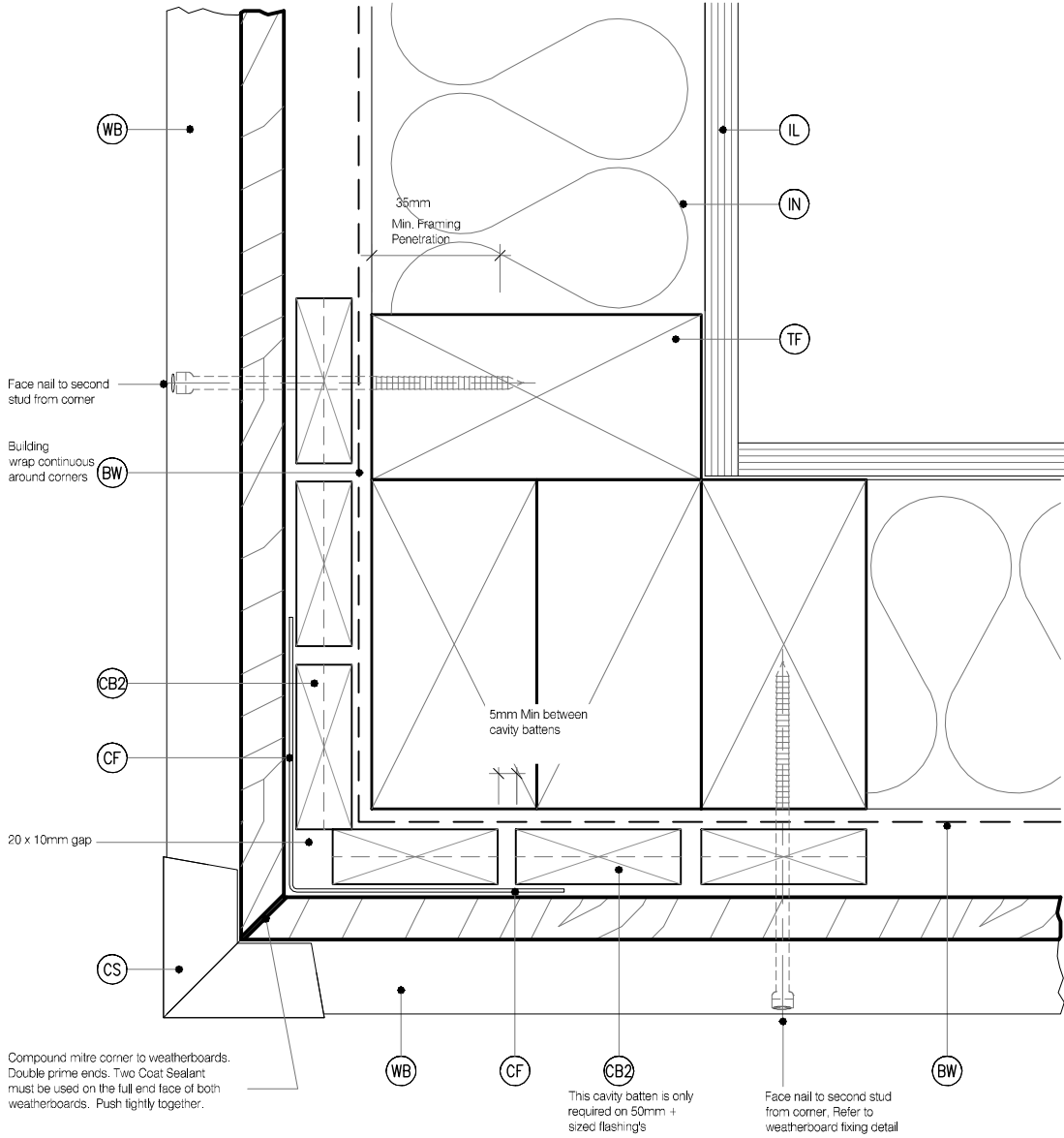
M6 TYPICAL HEAD & FLASHING JOINT
 BB33 SCALE : 1 / 2 @ A1, 1 / 4 @ A3

DETAILS MAY BE SUBJECT TO CHANGE WITHOUT NOTICE

LEGEND :

- | | | |
|--|---|---|
| <p>(BW) BUILDING WRAP: Flexible Wall Underlay, As per NZBC E2/AS1 - Table 23, In extra high wind zones, Rigid Underlay required (9.1.7.2 E2/AS1)</p> <p>(CB2) CAVITY BATTEN, VERTICAL: 20mm x 45mm H3.1. To form a 20mm cavity.</p> <p>(CB3) CAVITY BATTEN, VERTICAL - STRUCTURALLY FIXED : 45mm x 45mm SPP Radiata Pine, H3.2 70mm x 45mm SPP Radiata Pine, H3.2 To form a 45mm cavity</p> | <p>(CF) CORNER FLASHING: Aluminium, PVC or Stainless Steel corner flashing. Refer NZBC E2/AS1 4.3 50x50 Hem or Hook to Flashing Edges 75x75 NO, Hem or Hook Required EXTRA HIGH WIND ZONE 100x100 Hem or Hook to Flashing Edges, Refer NZBC E2/AS1 4.5.1</p> <p>(IN) INSULATION: Selected Insulation</p> <p>(CC) CAVITY CLOSURE: Cavity closure strip, positioned to give a 15mm Min drip edge to cladding</p> | <p>(IL) INTERNAL LINING: Selected Internal Lining</p> <p>(FT3) FLEXIBLE FLASHING TAPE: Flexible flashing tape lapped into corner, Refer NZBC E2/AS1 4.3.11 Flashing tape is recommended due to movement that may occur in corners. Not required by E2/AS1</p> <p>(TF) TIMBER FRAME: H1.2 min Treated timber framing</p> <p>(WB) WEATHER BOARD: Southern Pine Bevel Back Weatherboard. Profile to NZS 3617</p> |
|--|---|---|

NOTE : Where 75x3.15 jolt head nails are referenced, these may be substituted for 75mm jolt head weatherboard screws



Compound mitre corner to weatherboards. Double prime ends. Two Coat Sealant must be used on the full end face of both weatherboards. Push lightly together.

This cavity batten is only required on 50mm + sized flashings

Face nail to second stud from corner, Refer to weatherboard fixing detail



- DENDRO is Southern Pine's premium product range of H3.2 treated, solid, clear weatherboards. Manufactured from, high quality, pruned NZ Radiata Pine. Product warranty, 25 years if used in accordance with the Installation & Maintenance Guide.
- All Southern Pine Weatherboard profiles have been machined to be compliant with NZS 3617 and BRANZ BU411
- The Southern Pine Weatherboard System, if designed and installed as per the Installation & Maintenance Guide, will meet

- the following provisions of the New Zealand Building Code (NZBC):
- Clause B1 Structure: Performance B1.3.1, B1.3.2, B1.3.4 (a), (b), (c), (d) and (e) for the
 - Clause B2 Durability: Performance B2.3.1(b) and B2.3.2(b)
 - Clause E2 External Moisture: Performance E2.3.2, E2.3.3, E2.3.5, E2.3.7(b) and (c)
 - Clause F2 Hazardous Building Materials: Performance F2.3.1

- This Weatherboard System must be installed by a qualified trade person. Restricted Building Work (RBW) requires a Licensed Building Practitioner (LBP) or supervised by an LBP. It is the specifier's responsibility to ensure that the details are appropriate for the intended application and that additional detailing is obtained for a specific design or any areas that fall outside the scope of the Southern Pine Products & E2/AS1 Acceptable solution.

DETAILS MAY BE SUBJECT TO CHANGE WITHOUT NOTICE



TYPE Southern Pine Products - H3.2 Treatment
 Bevel Back WB - Cavity Fix
 NAME EXTERNAL CORNER

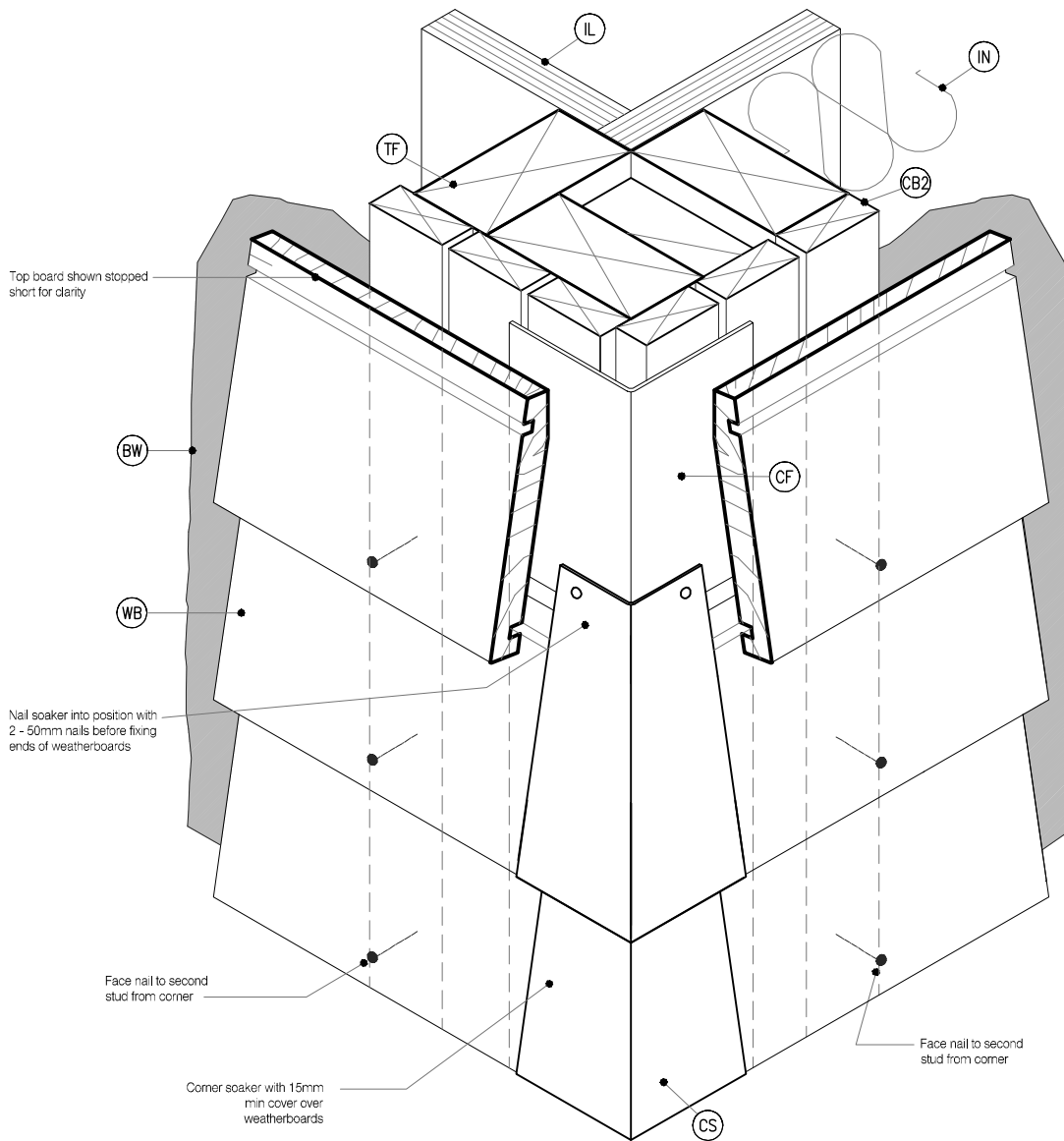


DRAWING SCALE 1:2 @ A4	ISSUE DATE NOV 2023
DRAWING No SPP CF20 BB40	
REVISION	

LEGEND :

- | | | |
|--|---|---|
| <p>(BW) BUILDING WRAP: Flexible Wall Underlay, As per NZBC E2/AS1 - Table 23, In extra high wind zones, Rigid Underlay required (9.1.7.2 E2/AS1)</p> <p>(CB2) CAVITY BATTEN, VERTICAL: 20mm x 45mm H3.1. To form a 20mm cavity.</p> <p>(CB3) CAVITY BATTEN, VERTICAL - STRUCTURALLY FIXED : 45mm x 45mm SPP Radiata Pine, H3.2 70mm x 45mm SPP Radiata Pine, H3.2 To form a 45mm cavity</p> | <p>(CF) CORNER FLASHING: Aluminium, PVC or Stainless Steel corner flashing. Refer NZBC E2/AS1 4.3 75x75 NO, Hem or Hook Required EXTRA HIGH WIND ZONE 100x100 Hem or Hook to Flashing Edges, Refer NZBC E2/AS1 4.5.1</p> <p>(IN) INSULATION: Selected Insulation</p> <p>(CC) CAVITY CLOSURE: Cavity closure strip, positioned to give a 15mm Min drip edge to cladding</p> | <p>(IL) INTERNAL LINING: Selected Internal Lining</p> <p>(FT3) FLEXIBLE FLASHING TAPE: Flexible flashing tape lapped into corner, Refer NZBC E2/AS1 4.3.11 Flashing tape is recommended due to movement that may occur in corners. Not required by E2/AS1</p> <p>(TF) TIMBER FRAME: H1.2 min Treated timber framing</p> <p>(WB) WEATHER BOARD: Southern Pine Bevel Back Weatherboard. Profile to NZS 3617</p> |
|--|---|---|

NOTE : Where 75x3.15 jolt head nails are referenced, these may be substituted for 75mm jolt head weatherboard screws



Soaker material	Nail material
Copper	Copper or phosphor bronze
Aluminium	Hot dip galvanised
Stainless steel	Stainless steel



DETAILS MAY BE SUBJECT TO CHANGE WITHOUT NOTICE

- DENDRO® is Southern Pine's premium product range of H3.2 treated, solid, clear weatherboards. Manufactured from, high quality, pruned NZ Radiata Pine. Product warranty, 25 years if used in accordance with the Installation & Maintenance Guide.
- All Southern Pine Weatherboard profiles have been machined to be compliant with NZS 3617 and BRANZ BU411
- The Southern Pine Weatherboard System, if designed and installed as per the Installation & Maintenance Guide, will meet

the following provisions of the New Zealand Building Code (NZBC):

- Clause B1 Structure: Performance B1.3.1, B1.3.2, B1.3.4 (a), (b), (c), (d) and (e) for the
- Clause B2 Durability: Performance B2.3.1(b) and B2.3.2(b)
- Clause E2 External Moisture: Performance E2.3.2, E2.3.3, E2.3.5, E2.3.7(b) and (c)
- Clause F2 Hazardous Building Materials: Performance F2.3.1

- This Weatherboard System must be installed by a qualified trade person. Restricted Building Work (RBW) requires a Licensed Building Practitioner (LBP) or supervised by an LBP. It is the specifier's responsibility to ensure that the details are appropriate for the intended application and that additional detailing is obtained for a specific design or any areas that fall outside the scope of the Southern Pine Products & E2/AS1 Acceptable solution.



TYPE Southern Pine Products - H3.2 Treatment
 Bevel Back WB - Cavity Fix
 NAME 3D EXTERNAL CORNER



DRAWING SCALE
 1:2 @ A4

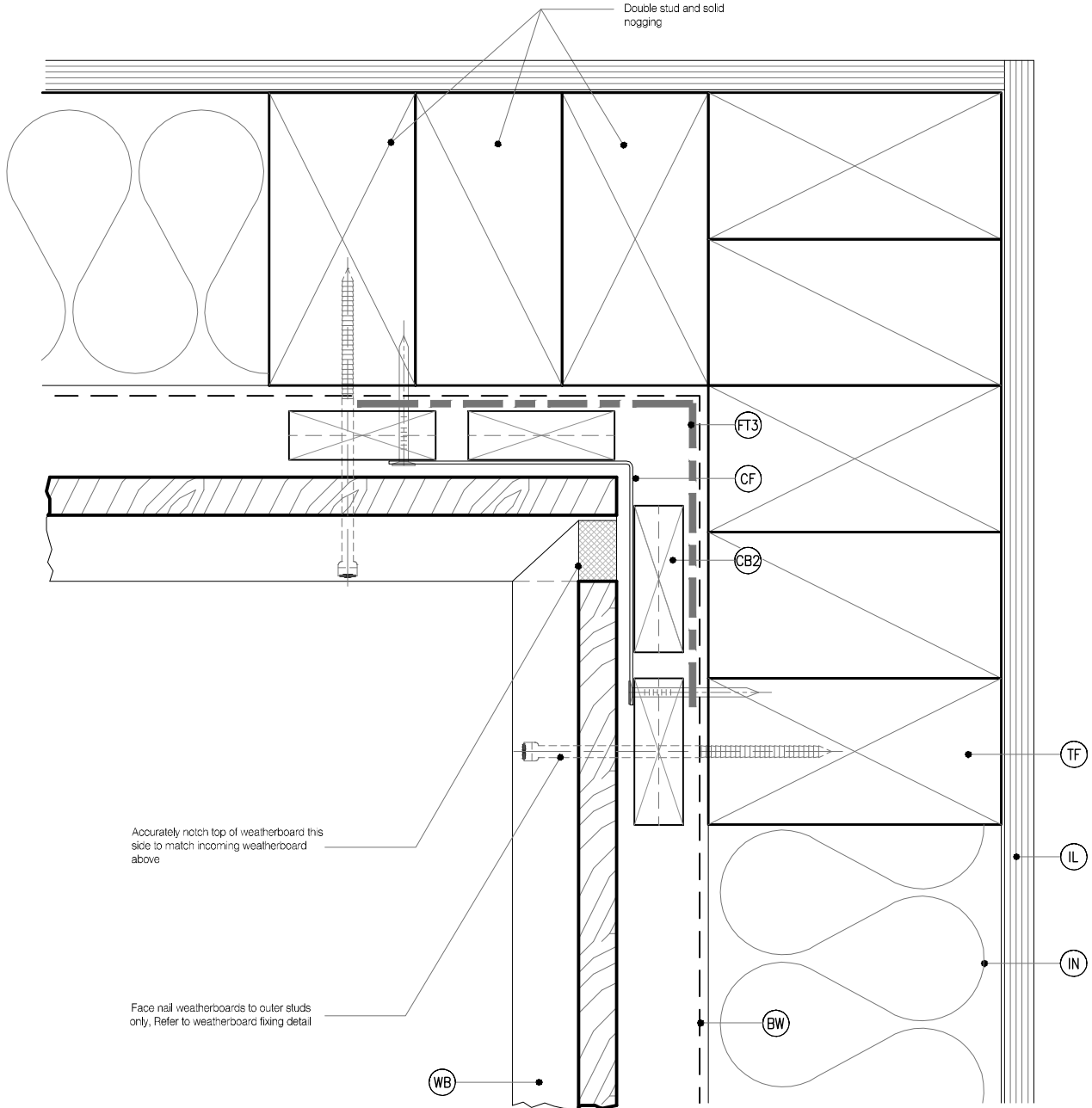
ISSUE DATE
 NOV 2023

DRAWING No SPP CF20 BB41
 REVISION

LEGEND :

- | | | |
|--|---|---|
| <p>(BW) BUILDING WRAP: Flexible Wall Underlay, As per NZBC E2/AS1 - Table 23, In extra high wind zones, Rigid Underlay required (9.1.7.2 E2/AS1)</p> <p>(CB2) CAVITY BATTEN, VERTICAL: 20mm x 45mm H3.1. To form a 20mm cavity.</p> <p>(CB3) CAVITY BATTEN, VERTICAL - STRUCTURALLY FIXED : 45mm x 45mm SPP Radiata Pine, H3.2
70mm x 45mm SPP Radiata Pine, H3.2
To form a 45mm cavity</p> | <p>(CF) CORNER FLASHING: Aluminium, PVC or Stainless Steel corner flashing. Refer NZBC E2/AS1 4.3 50x50 Hem or Hook to Flashing Edges 75x75 NO, Hem or Hook Required EXTRA HIGH WIND ZONE 100x100 Hem or Hook to Flashing Edges, Refer NZBC E2/AS1 4.5.1</p> <p>(IN) INSULATION: Selected Insulation</p> <p>(CC) CAVITY CLOSURE: Cavity closure strip, positioned to give a 15mm Min drip edge to cladding</p> | <p>(IL) INTERNAL LINING: Selected Internal Lining</p> <p>(FT3) FLEXIBLE FLASHING TAPE: Flexible flashing tape lapped into corner, Refer NZBC E2/AS1 4.3.11 Flashing tape is recommended due to movement that may occur in corners. Not required by E2/AS1</p> <p>(TF) TIMBER FRAME: H1.2 min Treated timber framing</p> <p>(WB) WEATHER BOARD: Southern Pine Bevel Back Weatherboard. Profile to NZS 3617</p> |
|--|---|---|

NOTE : Where 75x3.15 jolt head nails are referenced, these may be substituted for 75mm jolt head weatherboard screws



DETAIL NOTES :

1. Flashing tape is recommended due to movement that may occur in corners but it is not required by E2/AS1
2. Aluminium extrusion must not be continuous over solid floor joists.



DETAILS MAY BE SUBJECT TO CHANGE WITHOUT NOTICE

1. DENDRO® is Southern Pine's premium product range of H3.2 treated, solid, clear weatherboards. Manufactured from high quality, pruned NZ Radiata Pine. Product warranty, 25 years if used in accordance with the Installation & Maintenance Guide.
2. All Southern Pine Weatherboard profiles have been machined to be compliant with NZS 3617 and BRANZ BU411
3. The Southern Pine Weatherboard System, if designed and installed as per the Installation & Maintenance Guide, will meet

- the following provisions of the New Zealand Building Code (NZBC):
- Clause B1 Structure: Performance B1.3.1, B1.3.2, B1.3.4 (a), (b), (c), (d) and (e) for the
 - Clause B2 Durability: Performance B2.3.1(b) and B2.3.2(b)
 - Clause E2 External Moisture: Performance E2.3.2, E2.3.3, E2.3.5, E2.3.7(b) and (c)
 - Clause F2 Hazardous Building Materials: Performance F2.3.1

4. This Weatherboard System must be installed by a qualified trade person. Restricted Building Work (RBW) requires a Licensed Building Practitioner (LBP) or supervised by an LBP. It is the specifier's responsibility to ensure that the details are appropriate for the intended application and that additional detailing is obtained for a specific design or any areas that fall outside the scope of the Southern Pine Products & E2/AS1 Acceptable solution.



TYPE Southern Pine Products - H3.2 Treatment
 Bevel Back WB - Cavity Fix
 NAME INTERNAL CORNER

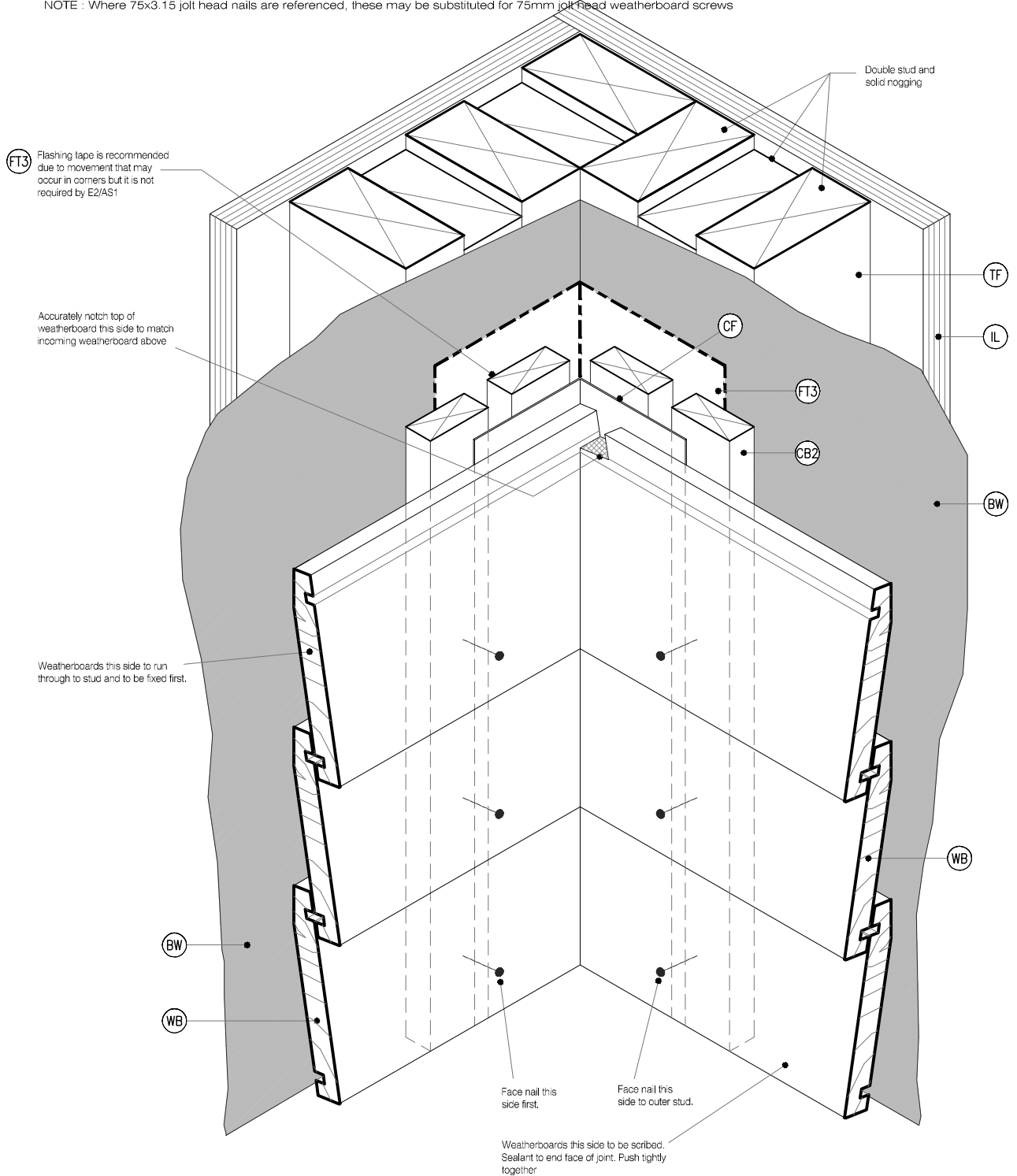


DRAWING SCALE 1:2 @ A4	ISSUE DATE NOV 2023
DRAWING No SPP CF20 BB42	REVISION

LEGEND :

- | | | |
|--|---|---|
| <p>(BW) BUILDING WRAP: Flexible Wall Underlay, As per NZBC E2/AS1 - Table 23, In extra high wind zones, Rigid Underlay required (9.1.7.2 E2/AS1)</p> <p>(CB2) CAVITY BATTEN, VERTICAL: 20mm x 45mm H3.1. To form a 20mm cavity.</p> <p>(CB3) CAVITY BATTEN, VERTICAL - STRUCTURALLY FIXED : 45mm x 45mm SPP Radiata Pine, H3.2 70mm x 45mm SPP Radiata Pine, H3.2 To form a 45mm cavity</p> | <p>(CF) CORNER FLASHING: Aluminium, PVC or Stainless Steel corner flashing. Refer NZBC E2/AS1 4.3 50x50 Hem or Hook to Flashing Edges 75x75 NO, Hem or Hook Required EXTRA HIGH WIND ZONE 100x100 Hem or Hook to Flashing Edges, Refer NZBC E2/AS1 4.5.1</p> <p>(IN) INSULATION: Selected Insulation</p> <p>(CC) CAVITY CLOSURE: Cavity closure strip, positioned to give a 15mm Min drip edge to cladding</p> | <p>(IL) INTERNAL LINING: Selected Internal Lining</p> <p>(FT3) FLEXIBLE FLASHING TAPE: Flexible flashing tape lapped into corner, Refer NZBC E2/AS1 4.3.11 Flashing tape is recommended due to movement that may occur in corners. Not required by E2/AS1</p> <p>(TF) TIMBER FRAME: H1.2 min Treated timber framing</p> <p>(WB) WEATHER BOARD: Southern Pine Bevel Back Weatherboard. Profile to NZS 3617</p> |
|--|---|---|

NOTE : Where 75x3.15 jolt head nails are referenced, these may be substituted for 75mm jolt head weatherboard screws



DETAILS MAY BE SUBJECT TO CHANGE WITHOUT NOTICE

- DENDRO® is Southern Pine's premium product range of H3.2 treated, solid, clear weatherboards. Manufactured from high quality, pruned NZ Radiata Pine. Product warranty, 25 years if used in accordance with the Installation & Maintenance Guide.
- All Southern Pine Weatherboard profiles have been machined to be compliant with NZS 3617 and BRANZ BU411
- The Southern Pine Weatherboard System, if designed and installed as per the Installation & Maintenance Guide, will meet

the following provisions of the New Zealand Building Code (NZBC):

- Clause B1 Structure: Performance B1.3.1, B1.3.2, B1.3.4 (a), (b), (c), (d) and (e) for the
- Clause B2 Durability: Performance B2.3.1(b) and B2.3.2(b)
- Clause E2 External Moisture: Performance E2.3.2, E2.3.3, E2.3.5, E2.3.7(b) and (c)
- Clause F2 Hazardous Building Materials: Performance F2.3.1

- This Weatherboard System must be installed by a qualified trade person. Restricted Building Work (RBW) requires a Licensed Building Practitioner (LBP) or supervised by an LBP. It is the specifier's responsibility to ensure that the details are appropriate for the intended application and that additional detailing is obtained for a specific design or any areas that fall outside the scope of the Southern Pine Products & E2/AS1 Acceptable solution.



TYPE Southern Pine Products - H3.2 Treatment
 Bevel Back WB - Cavity Fix
 NAME
 3D INTERNAL CORNER



DRAWING SCALE
 1:2 @ A4

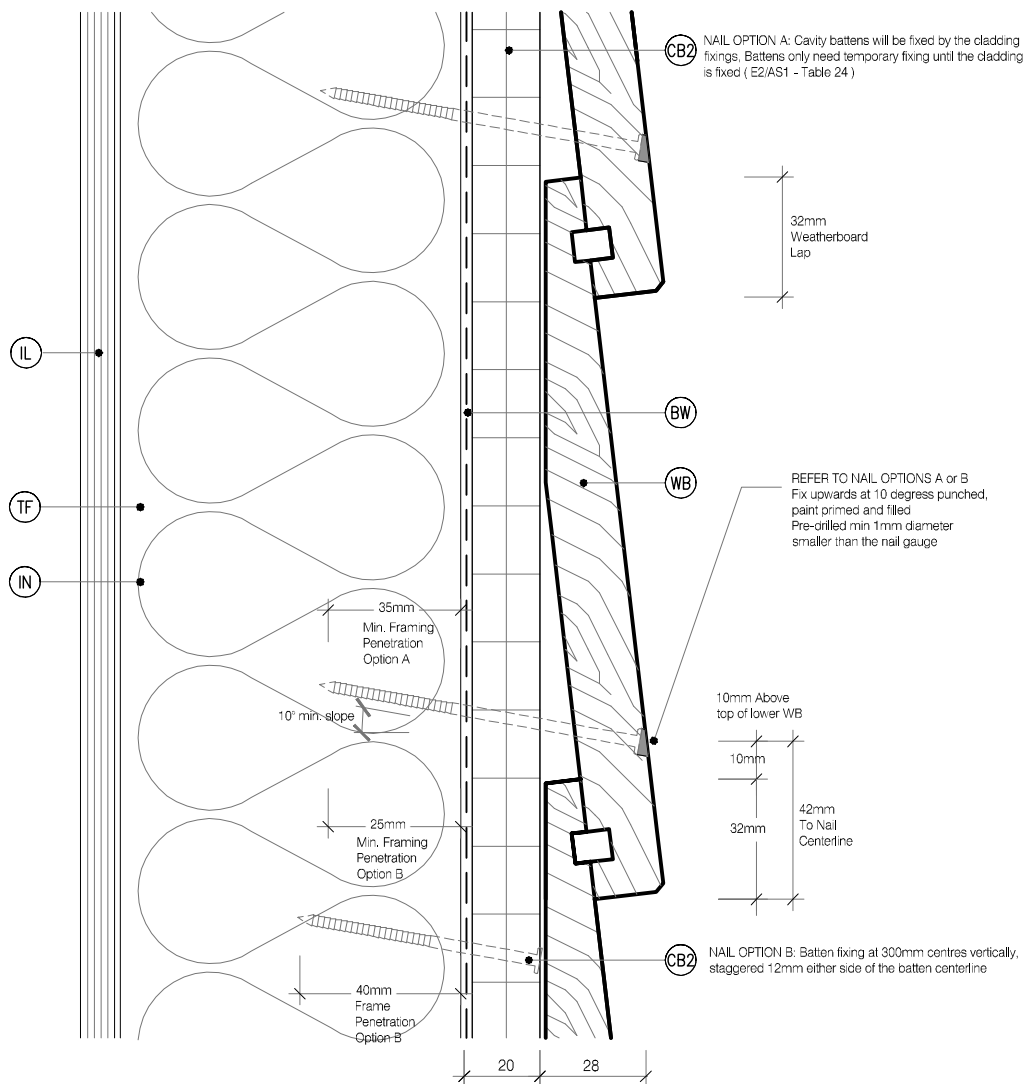
ISSUE DATE
 NOV 2023

DRAWING No SPP CF20 BB43
 REVISION

LEGEND :

- | | | |
|--|---|---|
| <p>(BW) BUILDING WRAP: Flexible Wall Underlay, As per NZBC E2/AS1 - Table 23, In extra high wind zones, Rigid Underlay required (9.1.7.2 E2/AS1)</p> <p>(CB2) CAVITY BATTEN, VERTICAL: 20mm x 45mm H3.1. To form a 20mm cavity.</p> <p>(CB3) CAVITY BATTEN, VERTICAL - STRUCTURALLY FIXED : 45mm x 45mm SPP Radiata Pine, H3.2 70mm x 45mm SPP Radiata Pine, H3.2 To form a 45mm cavity</p> | <p>(CF) CORNER FLASHING: Aluminium, PVC or Stainless Steel corner flashing. Refer NZBC E2/AS1 4.3 50x50 Hem or Hook to Flashing Edges 75x75 NO, Hem or Hook Required EXTRA HIGH WIND ZONE 100x100 Hem or Hook to Flashing Edges, Refer NZBC E2/AS1 4.5.1</p> <p>(IN) INSULATION: Selected Insulation</p> <p>(CC) CAVITY CLOSURE: Cavity closure strip, positioned to give a 15mm Min drip edge to cladding</p> | <p>(IL) INTERNAL LINING: Selected Internal Lining</p> <p>(FT3) FLEXIBLE FLASHING TAPE: Flexible flashing tape lapped into corner, Refer NZBC E2/AS1 4.3.11 Flashing tape is recommended due to movement that may occur in corners. Not required by E2/AS1</p> <p>(TF) TIMBER FRAME: H1.2 min Treated timber framing</p> <p>(WB) WEATHER BOARD: Southern Pine Bevel Back Weatherboard. Profile to NZS 3617</p> |
|--|---|---|

NOTE : Where 75x3.15 jolt head nails are referenced, these may be substituted for 75mm jolt head weatherboard screws



**NAIL OPTION A -
One Nail to Framing**

(Refer E2/AS1 - Table 24)

WEATHERBOARD & CAVITY BATTEN FIXING
 90 x 3.55mm Jolt Head, Hot Dip Galvanised Nail
 OR
 75 x 3.15mm CSK Annular Grooved, HD Galv Nail
 75 x 3.15mm CSK Annular Grooved, SS Nail

**NAIL OPTION B -
Structurally Fixed Cavity Batten**

(Refer BRANZ Bulletin No 582 & Test Report ST0589)

BATTEN FIXING OPTION
 60 x 2.8mm Jolt Head, Hot Dip Galvanised Nail
 65 x 2.87mm Power Driver, Hot Dip Galvanised Nail
 65 x 2.87mm Power Driver, Annular Grooved SS Nail

WEATHERBOARD FIXING
 75 x 3.15mm Jolt Head, Hot Dip Galvanised Nail
 75 x 3.15mm CSK Annular Grooved, SS Nail

- DENDRO® is Southern Pine's premium product range of H3.2 treated, solid, clear weatherboards. Manufactured from high quality, pruned NZ Radiata Pine. Product warranty, 25 years if used in accordance with the Installation & Maintenance Guide.
- All Southern Pine Weatherboard profiles have been machined to be compliant with NZS 3617 and BRANZ BU411
- The Southern Pine Weatherboard System, if designed and installed as per the Installation & Maintenance Guide, will meet

- the following provisions of the New Zealand Building Code (NZBC):
- Clause B1 Structure: Performance B1.3.1, B1.3.2, B1.3.4 (a), (b), (c), (d) and (e) for the
 - Clause B2 Durability: Performance B2.3.1(b) and B2.3.2(b)
 - Clause E2 External Moisture: Performance E2.3.2, E2.3.3, E2.3.5, E2.3.7(b) and (c)
 - Clause F2 Hazardous Building Materials: Performance F2.3.1

- This Weatherboard System must be installed by a qualified trade person. Restricted Building Work (RBW) requires a Licensed Building Practitioner (LBP) or supervised by an LBP. It is the specifier's responsibility to ensure that the details are appropriate for the intended application and that additional detailing is obtained for a specific design or any areas that fall outside the scope of the Southern Pine Products & E2/AS1 Acceptable solution.



DETAILS MAY BE SUBJECT TO CHANGE WITHOUT NOTICE



TYPE Southern Pine Products - H3.2 Treatment
 Bevel Back WB - Cavity Fix

NAME WEATHERBOARD FIXING



DRAWING SCALE
 1:2 @ A4

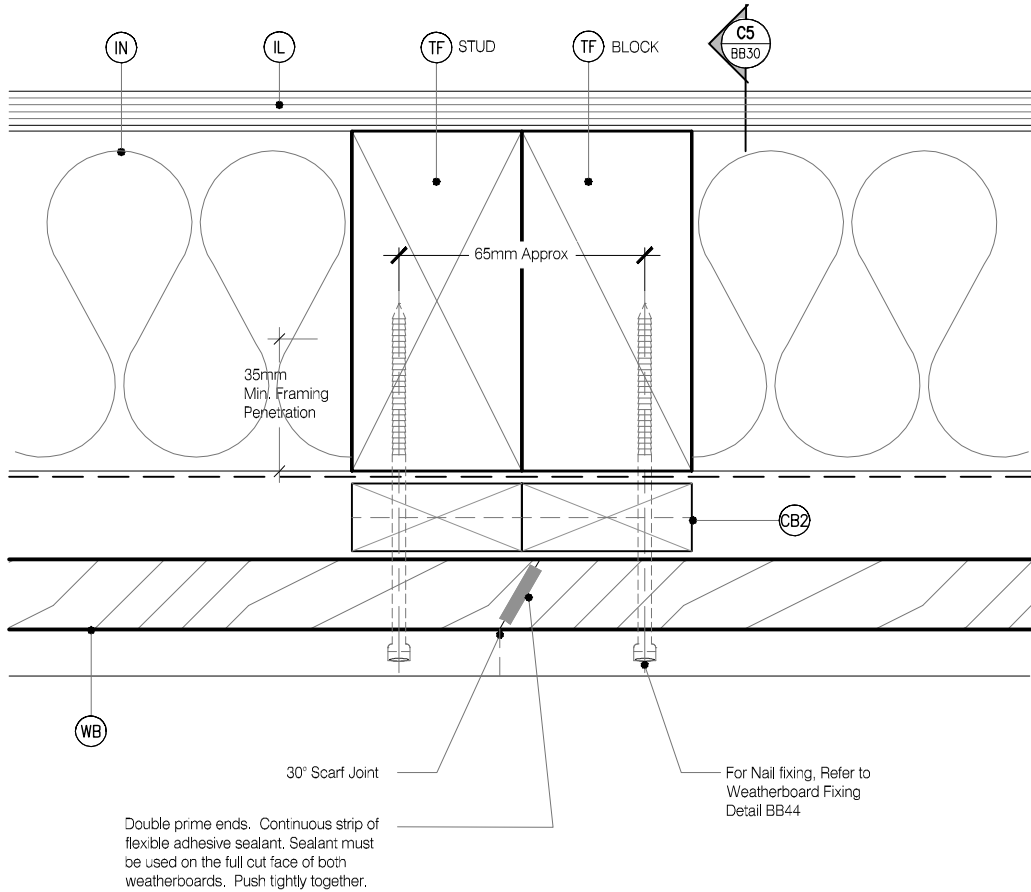
ISSUE DATE
 NOV 2023

DRAWING No SPP CF20 BB44
 REVISION

LEGEND :

- | | | |
|--|---|---|
| <p>(BW) BUILDING WRAP: Flexible Wall Underlay, As per NZBC E2/AS1 - Table 23, In extra high wind zones, Rigid Underlay required (9.1.7.2 E2/AS1)</p> <p>(CB2) CAVITY BATTEN, VERTICAL: 20mm x 45mm H3.1. To form a 20mm cavity.</p> <p>(CB3) CAVITY BATTEN, VERTICAL - STRUCTURALLY FIXED : 45mm x 45mm SPP Radiata Pine, H3.2 70mm x 45mm SPP Radiata Pine, H3.2 To form a 45mm cavity</p> | <p>(CF) CORNER FLASHING: Aluminium, PVC or Stainless Steel corner flashing. Refer NZBC E2/AS1 4.3 50x50 Hem or Hook to Flashing Edges 75x75 NO, Hem or Hook Required EXTRA HIGH WIND ZONE 100x100 Hem or Hook to Flashing Edges, Refer NZBC E2/AS1 4.5.1</p> <p>(IN) INSULATION: Selected Insulation</p> <p>(CC) CAVITY CLOSURE: Cavity closure strip, positioned to give a 15mm Min drip edge to cladding</p> | <p>(IL) INTERNAL LINING: Selected Internal Lining</p> <p>(FT3) FLEXIBLE FLASHING TAPE: Flexible flashing tape lapped into corner, Refer NZBC E2/AS1 4.3.11 Flashing tape is recommended due to movement that may occur in corners. Not required by E2/AS1</p> <p>(TF) TIMBER FRAME: H1.2 min Treated timber framing</p> <p>(WB) WEATHER BOARD: Southern Pine Bevel Back Weatherboard. Profile to NZS 3617</p> |
|--|---|---|

NOTE : Where 75x3.15 jolt head nails are referenced, these may be substituted for 75mm jolt head weatherboard screws



DETAILS MAY BE SUBJECT TO CHANGE WITHOUT NOTICE



- DENDRO is Southern Pine's premium product range of H3.2 treated, solid, clear weatherboards. Manufactured from high quality, pruned NZ Radiata Pine. Product warranty, 25 years if used in accordance with the Installation & Maintenance Guide.
- All Southern Pine Weatherboard profiles have been machined to be compliant with NZS 3617 and BRANZ BU411
- The Southern Pine Weatherboard System, if designed and installed as per the Installation & Maintenance Guide, will meet

- the following provisions of the New Zealand Building Code (NZBC):
- Clause B1 Structure: Performance B1.3.1, B1.3.2, B1.3.4 (a), (b), (c), (d) and (e) for the
 - Clause B2 Durability: Performance B2.3.1(b) and B2.3.2(b)
 - Clause E2 External Moisture: Performance E2.3.2, E2.3.3, E2.3.5, E2.3.7(b) and (c)
 - Clause F2 Hazardous Building Materials: Performance F2.3.1

- This Weatherboard System must be installed by a qualified trade person. Restricted Building Work (RBW) requires a Licensed Building Practitioner (LBP) or supervised by an LBP. It is the specifier's responsibility to ensure that the details are appropriate for the intended application and that additional detailing is obtained for a specific design or any areas that fall outside the scope of the Southern Pine Products & E2/AS1 Acceptable solution.

TYPE Southern Pine Products - H3.2 Treatment
 Bevel Back Weatherboard - Cavity Fix
 NAME DRAINED INTER-STOREY JOINT

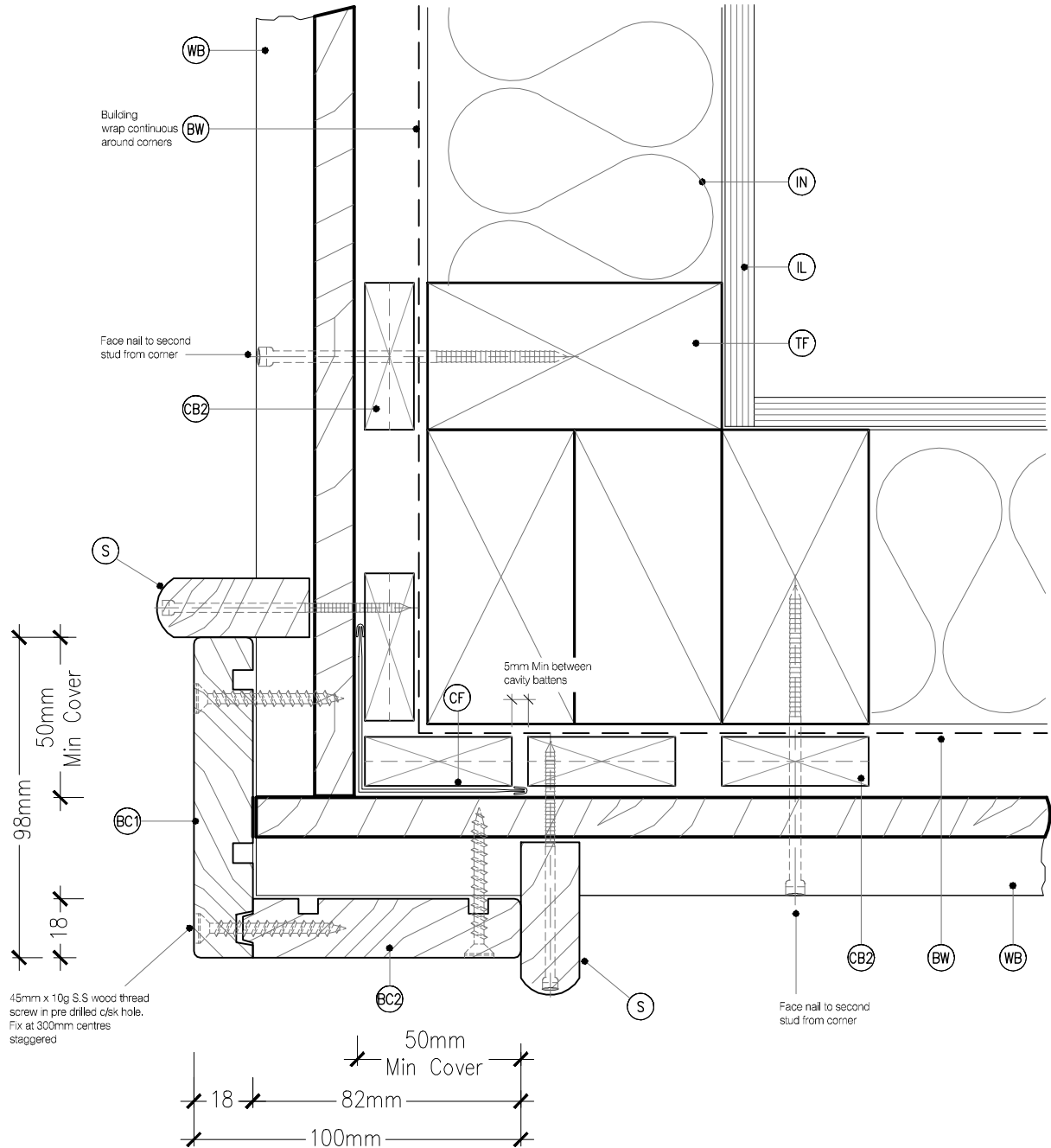


DRAWING SCALE 1:2 @ A4	ISSUE DATE NOV 2023
DRAWING No SPP CF20 BB45	REVISION

LEGEND :

- | | | |
|--|---|---|
| <p>(BC1) BOXED CORNER COVER : Southern Pine 100 x 18 H3.1 External box corner</p> <p>(BC2) BOXED CORNER COVER : Southern Pine 87 x 18 H3.1 Reversible box corner</p> <p>(BC3) BOXED CORNER COVER : Southern Pine 100 x 18 H3.1 Internal box corner</p> <p>(CB2) CAVITY BATTEN, VERTICAL: 20mm x 45mm H3.1. To form a 20mm cavity.</p> <p>(CB3) CAVITY BATTEN, VERTICAL - STRUCTURALLY FIXED : 45mm x 45mm SPP Radiata Pine, H3.2 70mm x 45mm SPP Radiata Pine, H3.2 To form a 45mm cavity</p> <p>(BW) BUILDING WRAP: Flexible Wall Underlay, As per NZBC E2/AS1 - Table 23, In extra high wind zones, Rigid Underlay required (9.1.7.2 E2/AS1)</p> | <p>(CF) CORNER FLASHING: Aluminium, PVC or Stainless Steel corner flashing. Refer NZBC E2/AS1 4.3 50x50 Hem or Hook to Flashing Edges 75x75 NO, Hem or Hook Required EXTRA HIGH WIND ZONE 100x100 Hem or Hook to Flashing Edges, Refer NZBC E2/AS1 4.5.1</p> <p>(FT3) FLEXIBLE FLASHING TAPE: Flexible flashing tape lapped into corner, Refer NZBC E2/AS1 4.3.1.1 Flashing tape is recommended due to movement that may occur in corners. (Not required by E2/AS1)</p> <p>(FT4) FLEXIBLE FLASHING TAPE: Flexible flashing tape wrapped around pipe and over building wrap, Refer NZBC E2/AS1 4.3.1.1 & Figure 68</p> | <p>(IN) INSULATION: Selected Insulation</p> <p>(PEF) PEF ROD BACKING: Foam backing rod with sealant to perimeter that forms a waterproof air-seal. (Sealant 2:1 Ratio)</p> <p>(TF) TIMBER FRAME: H1.2 min treated timber framing</p> <p>(IL) INTERNAL LINING: Selected Internal Lining</p> <p>(WB) WEATHER BOARD: Southern Pine Bevel Back Weatherboard. Profile to NZS 3617</p> <p>(WS) SCRIBER: Southern Pine H3.1, profile cut to fit weatherboard, sealant to back of scribe and 75 x 3.15mm 316 Stainless Steel nail in 3mm predrilled hole, 40x18 or 60x18 depending on weatherboard size</p> |
|--|---|---|

NOTE : Where 75x3.15 jolt head nails are referenced, these may be substituted for 75mm jolt head weatherboard screws



DETAILS MAY BE SUBJECT TO CHANGE WITHOUT NOTICE

- DENDRO is Southern Pine's premium product range of H3.2 treated, solid, clear weatherboards. Manufactured from high quality, pruned NZ Radiata Pine. Product warranty, 25 years if used in accordance with the Installation & Maintenance Guide.
- All Southern Pine Weatherboard profiles have been machined to be compliant with NZS 3617 and BRANZ BU411
- The Southern Pine Weatherboard System, if designed and installed as per the Installation & Maintenance Guide, will meet

the following provisions of the New Zealand Building Code (NZBC):

- Clause B1 Structure: Performance B1.3.1, B1.3.2, B1.3.4 (a), (b), (c), (d) and (e) for the
- Clause B2 Durability: Performance B2.3.1(b) and B2.3.2(b)
- Clause E2 External Moisture: Performance E2.3.2, E2.3.3, E2.3.5, E2.3.7(b) and (c)
- Clause F2 Hazardous Building Materials: Performance F2.3.1

- This Weatherboard System must be installed by a qualified trade person. Restricted Building Work (RBW) requires a Licensed Building Practitioner (LBP) or supervised by an LBP. It is the specifier's responsibility to ensure that the details are appropriate for the intended application and that additional detailing is obtained for a specific design or any areas that fall outside the scope of the Southern Pine Products & E2/AS1 Acceptable solution.



TYPE Southern Pine Products - H3.2 Treatment
 Bevel Back WB - Cavity Fix
 NAME EXTERNAL CORNER

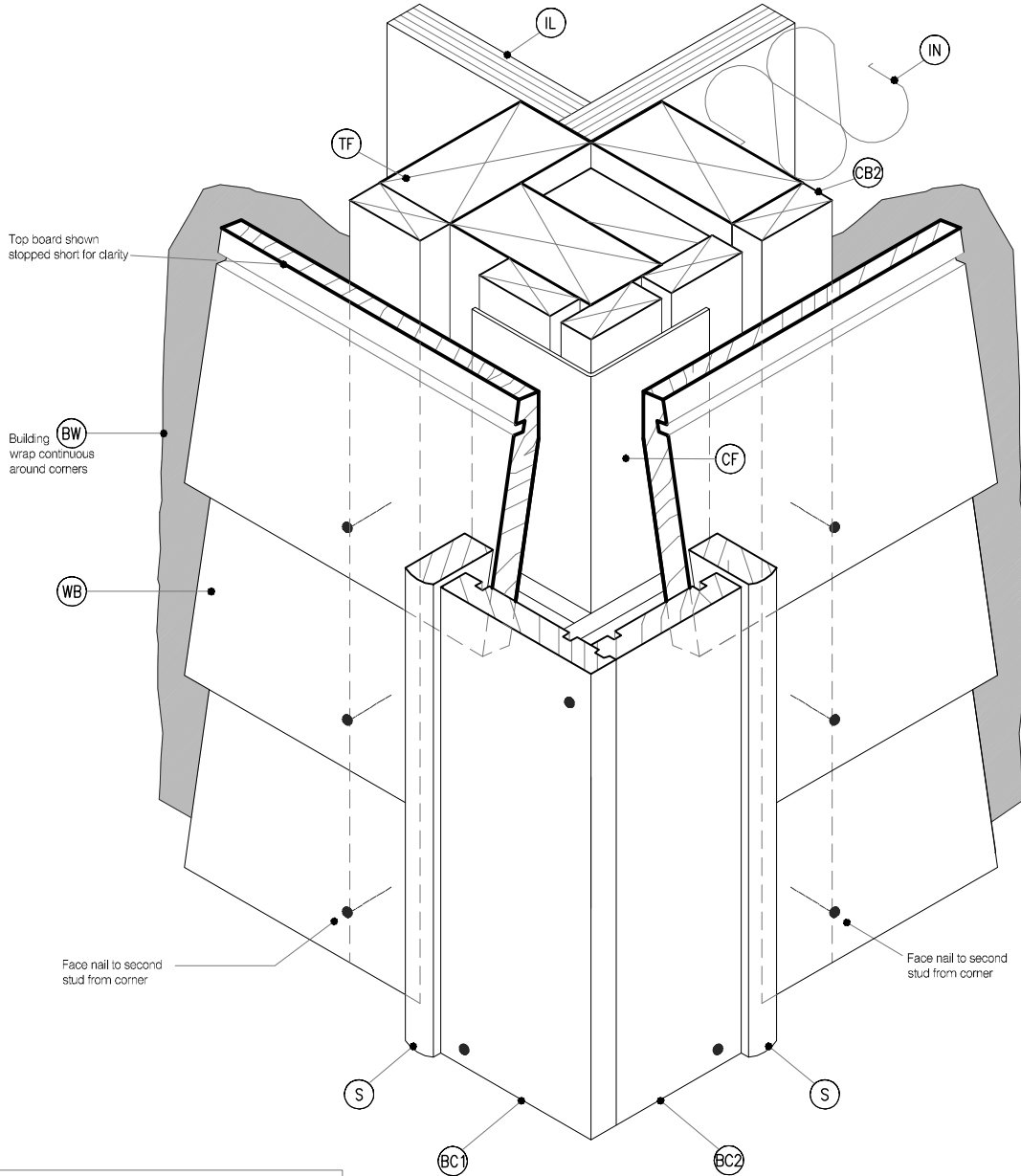


DRAWING SCALE 1:2 @ A4	ISSUE DATE NOV 2023
DRAWING No SPP CF20 BB50	
REVISION	

LEGEND :

- | | | |
|--|---|---|
| <p>(BC1) BOXED CORNER COVER : Southern Pine 100 x 18 H3.1 External box corner</p> <p>(BC2) BOXED CORNER COVER : Southern Pine 87 x 18 H3.1 Reversible box corner</p> <p>(BC3) BOXED CORNER COVER : Southern Pine 100 x 18 H3.1 Internal box corner</p> <p>(CB2) CAVITY BATTEN, VERTICAL: 20mm x 45mm H3.1. To form a 20mm cavity.</p> <p>(CB3) CAVITY BATTEN, VERTICAL - STRUCTURALLY FIXED : 45mm x 45mm SPP Radiata Pine, H3.2 70mm x 45mm SPP Radiata Pine, H3.2 To form a 45mm cavity</p> <p>(BW) BUILDING WRAP: Flexible Wall Underlay, As per NZBC E2/AS1 - Table 23. In extra high wind zones, Rigid Underlay required (9.1.7.2 E2/AS1)</p> | <p>(CF) CORNER FLASHING: Aluminium, PVC or Stainless Steel corner flashing. Refer NZBC E2/AS1 4.3 50x50 Hem or Hook to Flashing Edges 75x75 NO, Hem or Hook Required EXTRA HIGH WIND ZONE 100x100 Hem or Hook to Flashing Edges, Refer NZBC E2/AS1 4.5.1</p> <p>(FT3) FLEXIBLE FLASHING TAPE: Flexible flashing tape lapped into corner, Refer NZBC E2/AS1 4.3.1.1 Flashing tape is recommended due to movement that may occur in corners. (Not required by E2/AS1)</p> <p>(FT4) FLEXIBLE FLASHING TAPE: Flexible flashing tape wrapped around pipe and over building wrap, Refer NZBC E2/AS1 4.3.1.1 & Figure 68</p> | <p>(IN) INSULATION: Selected Insulation</p> <p>(PEF) PEF ROD BACKING: Foam backing rod with sealant to perimeter that forms a waterproof air-seal. (Sealant 2:1 Ratio)</p> <p>(TF) TIMBER FRAME: H1.2 min treated timber framing</p> <p>(IL) INTERNAL LINING: Selected Internal Lining</p> <p>(WB) WEATHER BOARD: Southern Pine Bevel Back Weatherboard. Profile to NZS 3617</p> <p>(WS) SCRIBER: Southern Pine H3.1, profile cut to fit weatherboard, sealant to back of scribe and 75 x 3.15mm 316 Stainless Steel nail in 3mm predrilled hole, 40x18 or 60x18 depending on weatherboard size</p> |
|--|---|---|

NOTE : Where 75x3.15 jolt head nails are referenced, these may be substituted for 75mm jolt head weatherboard screws



NOTE :
 Box corner trim must not be continuous over solid floor joists.



- DENDRO is Southern Pine's premium product range of H3.2 treated, solid, clear weatherboards. Manufactured from, high quality, pruned NZ Radiata Pine. Product warranty, 25 years if used in accordance with the Installation & Maintenance Guide.
- All Southern Pine Weatherboard profiles have been machined to be compliant with NZS 3617 and BRANZ BU411
- The Southern Pine Weatherboard System, if designed and installed as per the Installation & Maintenance Guide, will meet

- the following provisions of the New Zealand Building Code (NZBC):
- Clause B1 Structure: Performance B1.3.1, B1.3.2, B1.3.4 (a), (b), (c), (d) and (e) for the
 - Clause B2 Durability: Performance B2.3.1(b) and B2.3.2(b)
 - Clause E2 External Moisture: Performance E2.3.2, E2.3.3, E2.3.5, E2.3.7(b) and (c)
 - Clause F2 Hazardous Building Materials: Performance F2.3.1

- This Weatherboard System must be installed by a qualified trade person. Restricted Building Work (RBW) requires a Licensed Building Practitioner (LBP) or supervised by an LBP. It is the specifier's responsibility to ensure that the details are appropriate for the intended application and that additional detailing is obtained for a specific design or any areas that fall outside the scope of the Southern Pine Products & E2/AS1 Acceptable solution.

DETAILS MAY BE SUBJECT TO CHANGE WITHOUT NOTICE



TYPE Southern Pine Products - H3.2 Treatment
 NAME Bevel Back WB - Cavity Fix
 3D EXTERNAL CORNER

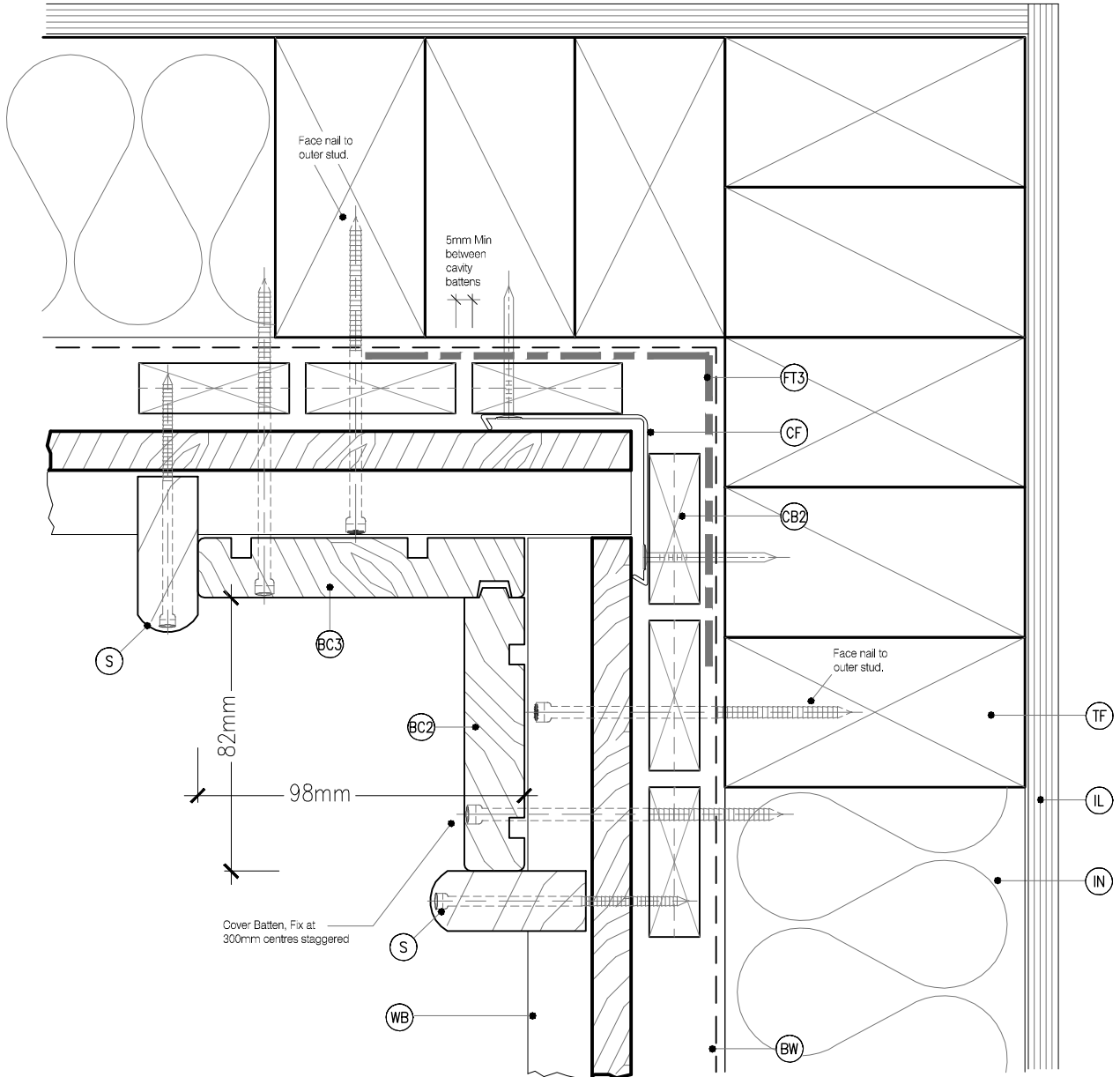


DRAWING SCALE 1:2 @ A4	ISSUE DATE NOV 2023
DRAWING No SPP CF20 BB51	REVISION

LEGEND :

- | | | |
|--|--|--|
| <p>(BC1) BOXED CORNER COVER : Southern Pine 100 x 18 H3.1 External box corner</p> <p>(BC2) BOXED CORNER COVER : Southern Pine 87 x 18 H3.1 Reversible box corner</p> <p>(BC3) BOXED CORNER COVER : Southern Pine 100 x 18 H3.1 Internal box corner</p> <p>(CB2) CAVITY BATTEN, VERTICAL: 20mm x 45mm H3.1. To form a 20mm cavity.</p> <p>(CB3) CAVITY BATTEN, VERTICAL - STRUCTURALLY FIXED : 45mm x 45mm SPP Radiata Pine, H3.2 70mm x 45mm SPP Radiata Pine, H3.2 To form a 45mm cavity</p> <p>(BW) BUILDING WRAP: Flexible Wall Underlay, As per NZBC E2/AS1 - Table 23, In extra high wind zones, Rigid Underlay required (9.1.7.2 E2/AS1)</p> | <p>(CF) CORNER FLASHING: Aluminium, PVC or Stainless Steel corner flashing. Refer NZBC E2/AS1 4.3 50x50 Hem or Hook to Flashing Edges 75x75 NO, Hem or Hook Required EXTRA HIGH WIND ZONE 100x100 Hem or Hook to Flashing Edges, Refer NZBC E2/AS1 4.5.1</p> <p>(FT3) FLEXIBLE FLASHING TAPE: Flexible flashing tape lapped into corner, Refer NZBC E2/AS1 4.3.1.1 Flashing tape is recommended due to movement that may occur in corners. (Not required by E2/AS1)</p> <p>(FT4) FLEXIBLE FLASHING TAPE: Flexible flashing tape wrapped around pipe and over building wrap, Refer NZBC E2/AS1 4.3.1.1 & Figure 68</p> | <p>(IN) INSULATION: Selected Insulation</p> <p>(PEF) PEF ROD BACKING: Foam backing rod with sealant to perimeter that forms a waterproof air-seal. (Sealant 2:1 Ratio)</p> <p>(TF) TIMBER FRAME: H1.2 min treated timber framing</p> <p>(IL) INTERNAL LINING: Selected Internal Lining</p> <p>(WB) WEATHER BOARD: Southern Pine Bevel Back Weatherboard. Profile to NZS 3617</p> <p>(WS) SCRIBER: Southern Pine H3.1, profile cut to fit weatherboard, sealant to back of scriber and 75 x 3.15mm 316 Stainless Steel nail in 3mm predrilled hole, 40x18 or 60x18 depending on weatherboard size</p> |
|--|--|--|

NOTE : Where 75x3.15 jolt head nails are referenced, these may be substituted for 75mm jolt head weatherboard screws



DETAIL NOTES :

- Aluminium extrusion must not be continuous over solid floor joists.
- Corner Flashing is recommended but not required by E2/AS1
- Flashing tape is recommended due to movement that may occur in corners but it is not required by E2/AS1



DETAILS MAY BE SUBJECT TO CHANGE WITHOUT NOTICE

- DENDRO is Southern Pine's premium product range of H3.2 treated, solid, clear weatherboards. Manufactured from high quality, pruned NZ Radiata Pine. Product warranty, 25 years if used in accordance with the Installation & Maintenance Guide.
- All Southern Pine Weatherboard profiles have been machined to be compliant with NZS 3617 and BRANZ BU411
- The Southern Pine Weatherboard System, if designed and installed as per the Installation & Maintenance Guide, will meet

the following provisions of the New Zealand Building Code (NZBC):

- Clause B1 Structure: Performance B1.3.1, B1.3.2, B1.3.4 (a), (b), (c), (d) and (e) for the
- Clause B2 Durability: Performance B2.3.1(b) and B2.3.2(b)
- Clause E2 External Moisture: Performance E2.3.2, E2.3.3, E2.3.5, E2.3.7(b) and (c)
- Clause F2 Hazardous Building Materials: Performance F2.3.1

- This Weatherboard System must be installed by a qualified trade person. Restricted Building Work (RBW) requires a Licensed Building Practitioner (LBP) or supervised by an LBP. It is the specifier's responsibility to ensure that the details are appropriate for the intended application and that additional detailing is obtained for a specific design or any areas that fall outside the scope of the Southern Pine Products & E2/AS1 Acceptable solution.



TYPE Southern Pine Products - H3.2 Treatment
 Bevel Back WB - Cavity Fix
 NAME INTERNAL CORNER



DRAWING SCALE
 1:2 @ A4

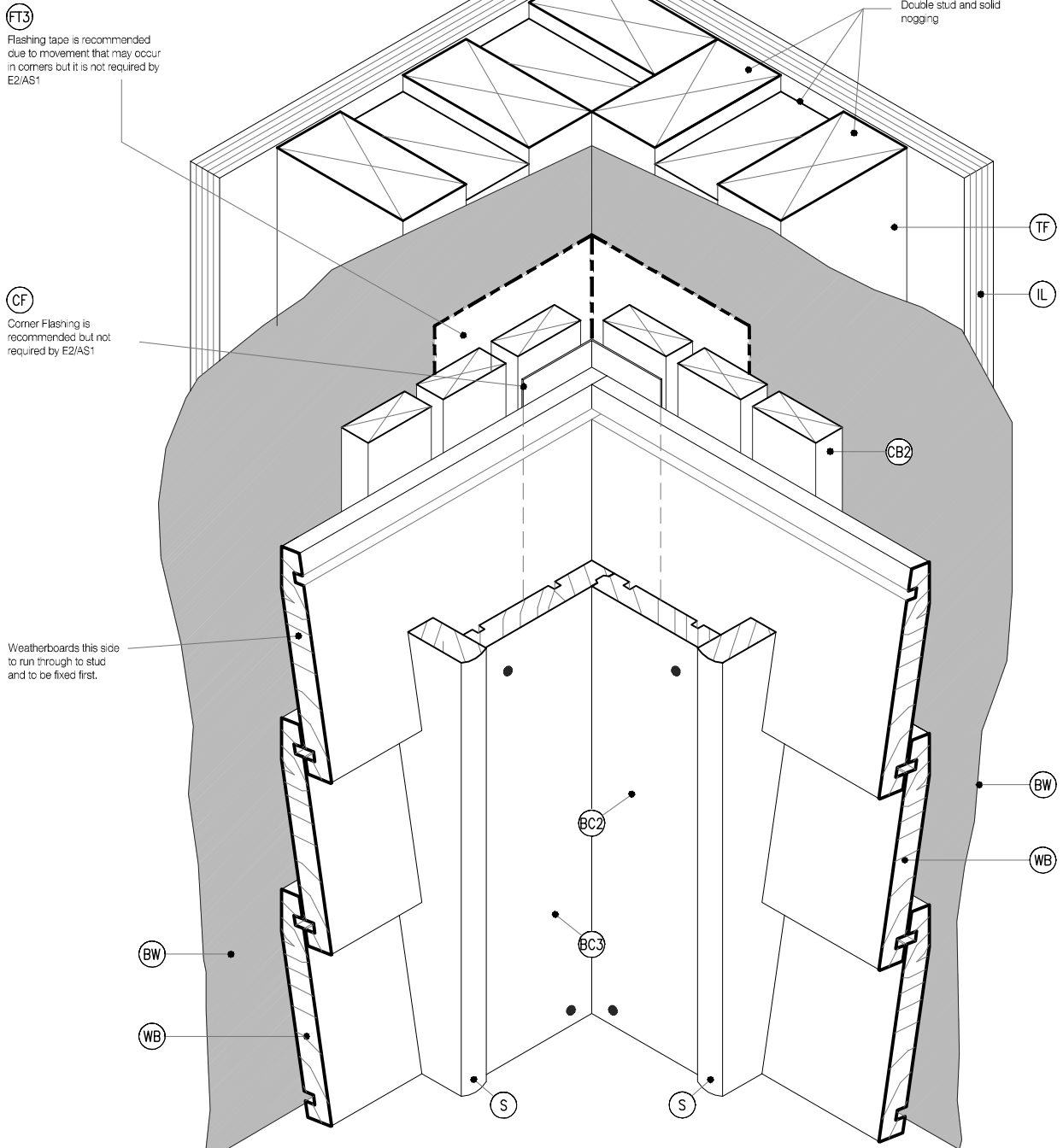
ISSUE DATE
 NOV 2023

DRAWING No SPP CF20 BB52
 REVISION

LEGEND :

- | | | |
|--|---|---|
| <p>(BC1) BOXED CORNER COVER : Southern Pine 100 x 18 H3.1 External box corner</p> <p>(BC2) BOXED CORNER COVER : Southern Pine 87 x 18 H3.1 Reversible box corner</p> <p>(BC3) BOXED CORNER COVER : Southern Pine 100 x 18 H3.1 Internal box corner</p> <p>(CB2) CAVITY BATTEN, VERTICAL: 20mm x 45mm H3.1. To form a 20mm cavity.</p> <p>(CB3) CAVITY BATTEN, VERTICAL - STRUCTURALLY FIXED : 45mm x 45mm SPP Radiata Pine, H3.2 70mm x 45mm SPP Radiata Pine, H3.2 To form a 45mm cavity</p> <p>(BW) BUILDING WRAP: Flexible Wall Underlay, As per NZBC E2/AS1 - Table 23. In extra high wind zones, Rigid Underlay required (9.1.7.2 E2/AS1)</p> | <p>(CF) CORNER FLASHING: Aluminium, PVC or Stainless Steel corner flashing. Refer NZBC E2/AS1 4.3 50x50 Hem or Hook to Flashing Edges 75x75 NO, Hem or Hook Required EXTRA HIGH WIND ZONE 100x100 Hem or Hook to Flashing Edges, Refer NZBC E2/AS1 4.5.1</p> <p>(FT3) FLEXIBLE FLASHING TAPE: Flexible flashing tape lapped into corner, Refer NZBC E2/AS1 4.3.1.1 Flashing tape is recommended due to movement that may occur in corners. (Not required by E2/AS1)</p> <p>(FT4) FLEXIBLE FLASHING TAPE: Flexible flashing tape wrapped around pipe and over building wrap, Refer NZBC E2/AS1 4.3.1.1 & Figure 68</p> | <p>(IN) INSULATION: Selected Insulation</p> <p>(PEF) PEF ROD BACKING: Foam backing rod with sealant to perimeter that forms a waterproof air-seal. (Sealant 2:1 Ratio)</p> <p>(TF) TIMBER FRAME: H1.2 min treated timber framing</p> <p>(IL) INTERNAL LINING: Selected Internal Lining</p> <p>(WB) WEATHER BOARD: Southern Pine Bevel Back Weatherboard. Profile to NZS 3617</p> <p>(WS) SCRIBER: Southern Pine H3.1, profile cut to fit weatherboard, sealant to back of scribe and 75 x 3.15mm 316 Stainless Steel nail in 3mm predrilled hole. 40x18 or 60x18 depending on weatherboard size</p> |
|--|---|---|

NOTE : Where 75x3.15 jolt head nails are referenced, these may be substituted for 75mm jolt head weatherboard screws



DETAILS MAY BE SUBJECT TO CHANGE WITHOUT NOTICE

- DENDRO® is Southern Pine's premium product range of H3.2 treated, solid, clear weatherboards. Manufactured from, high quality, pruned NZ Radiata Pine. Product warranty, 25 years if used in accordance with the Installation & Maintenance Guide.
- All Southern Pine Weatherboard profiles have been machined to be compliant with NZS 3617 and BRANZ BU411
- The Southern Pine Weatherboard System, if designed and installed as per the Installation & Maintenance Guide, will meet

the following provisions of the New Zealand Building Code (NZBC):

- Clause B1 Structure: Performance B1.3.1, B1.3.2, B1.3.4 (a), (b), (c), (d) and (e) for the
- Clause B2 Durability: Performance B2.3.1(b) and B2.3.2(b)
- Clause E2 External Moisture: Performance E2.3.2, E2.3.3, E2.3.5, E2.3.7(b) and (c)
- Clause F2 Hazardous Building Materials: Performance F2.3.1

- This Weatherboard System must be installed by a qualified trade person. Restricted Building Work (RBW) requires a Licensed Building Practitioner (LBP) or supervised by an LBP. It is the specifier's responsibility to ensure that the details are appropriate for the intended application and that additional detailing is obtained for a specific design or any areas that fall outside the scope of the Southern Pine Products & E2/AS1 Acceptable solution.



TYPE Southern Pine Products - H3.2 Treatment
 NAME Bevel Back WB - Cavity Fix
 3D INTERNAL CORNER



DRAWING SCALE
 1:2 @ A4

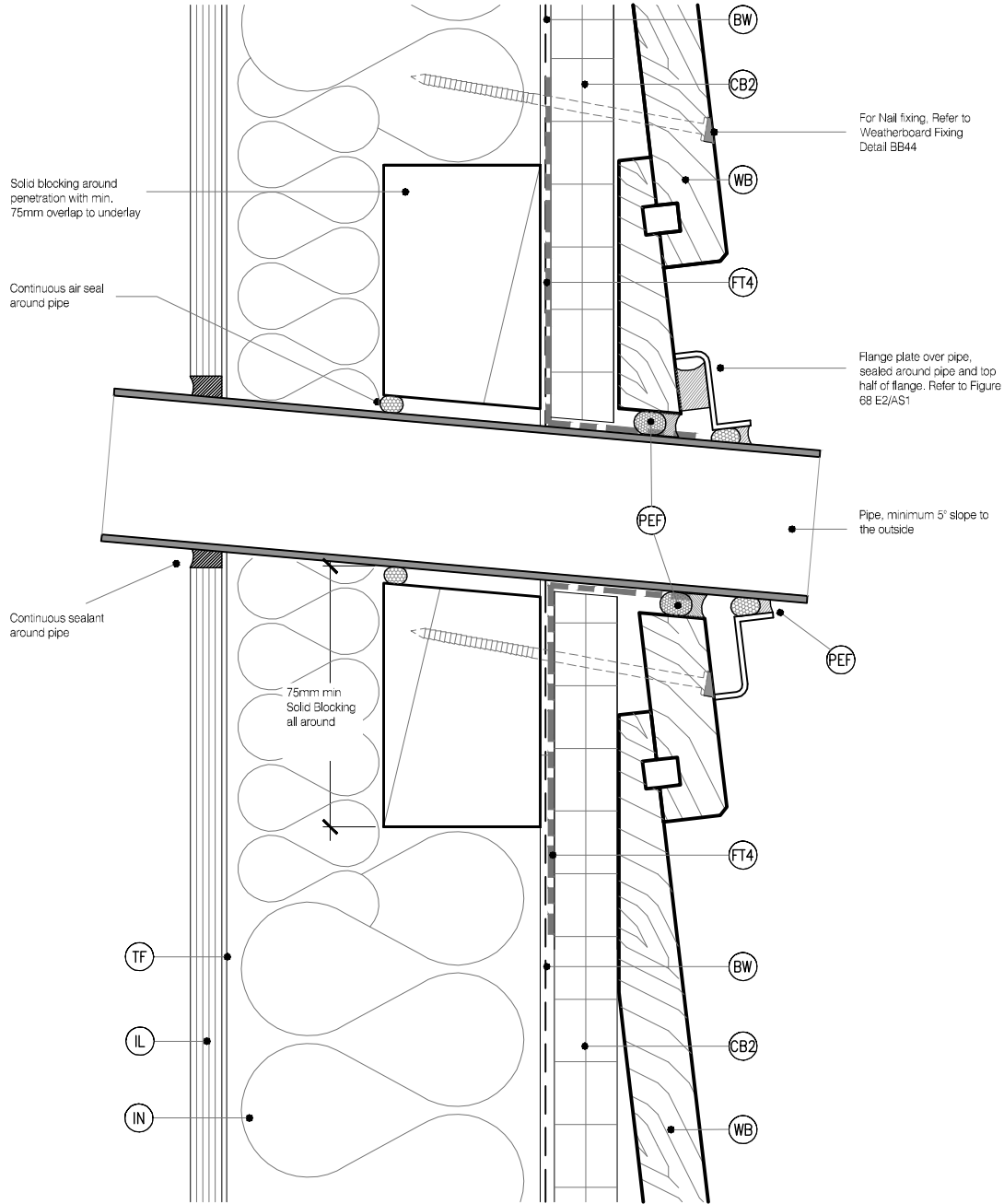
ISSUE DATE
 NOV 2023

DRAWING No SPP CF20 BB53
 REVISION

LEGEND :

- | | | |
|---|---|--|
| <p>(BC1) BOXED CORNER COVER : Southern Pine 100 x 18 H3.1 External box corner</p> <p>(BC2) BOXED CORNER COVER : Southern Pine 87 x 18 H3.1 Reversible box corner</p> <p>(BC3) BOXED CORNER COVER : Southern Pine 100 x 18 H3.1 Internal box corner</p> <p>(CB2) CAVITY BATTEN, VERTICAL : 20mm x 45mm H3.1. To form a 20mm cavity.</p> <p>(CB3) CAVITY BATTEN, VERTICAL - STRUCTURALLY FIXED : 45mm x 45mm SPP Radiata Pine, H3.2 70mm x 45mm SPP Radiata Pine, H3.2 To form a 45mm cavity</p> <p>(BW) BUILDING WRAP: Flexible Wall Underlay, As per NZBC E2/AS1 - Table 23. In extra high wind zones, Rigid Underlay required (9.1.7.2 E2/AS1)</p> | <p>(CF) CORNER FLASHING: Aluminium, PVC or Stainless Steel corner flashing. Refer NZBC E2/AS1 4.3 50x50 Hem or Hook to Flashing Edges 75x75 NO, Hem or Hook Required EXTRA HIGH WIND ZONE 100x100 Hem or Hook to Flashing Edges, Refer NZBC E2/AS1 4.5.1</p> <p>(FT3) FLEXIBLE FLASHING TAPE: Flexible flashing tape lapped into corner, Refer NZBC E2/AS1 4.3.1.1 Flashing tape is recommended due to movement that may occur in corners. (Not required by E2/AS1)</p> <p>(FT4) FLEXIBLE FLASHING TAPE: Flexible flashing tape wrapped around pipe and over building wrap, Refer NZBC E2/AS1 4.3.1.1 & Figure 68</p> | <p>(IN) INSULATION: Selected Insulation</p> <p>(PEF) PEF ROD BACKING: Foam backing rod with sealant to perimeter that forms a waterproof air-seal. (Sealant 2:1 Ratio)</p> <p>(TF) TIMBER FRAME: H1.2 min treated timber framing</p> <p>(IL) INTERNAL LINING: Selected Internal Lining</p> <p>(WB) WEATHER BOARD: Southern Pine Bevel Back Weatherboard. Profile to NZS 3617</p> <p>(WS) SCRIBER: Southern Pine H3.1, profile cut to fit weatherboard, sealant to back of scriber and 75 x 3.15mm 316 Stainless Steel nail in 3mm predrilled hole, 40x18 or 60x18 depending on weatherboard size</p> |
|---|---|--|

NOTE : Where 75x3.15 jolt head nails are referenced, these may be substituted for 75mm jolt head weatherboard screws



DETAILS MAY BE SUBJECT TO CHANGE WITHOUT NOTICE

- DENDRO is Southern Pine's premium product range of H3.2 treated, solid, clear weatherboards. Manufactured from, high quality, pruned NZ Radiata Pine. Product warranty, 25 years if used in accordance with the Installation & Maintenance Guide.
- All Southern Pine Weatherboard profiles have been machined to be compliant with NZS 3617 and BRANZ BU411
- The Southern Pine Weatherboard System, if designed and installed as per the Installation & Maintenance Guide, will meet

the following provisions of the New Zealand Building Code (NZBC):

- Clause B1 Structure: Performance B1.3.1, B1.3.2, B1.3.4 (a), (b), (c), (d) and (e) for the
- Clause B2 Durability: Performance B2.3.1(b) and B2.3.2(b)
- Clause E2 External Moisture: Performance E2.3.2, E2.3.3, E2.3.5, E2.3.7(b) and (c)
- Clause F2 Hazardous Building Materials: Performance F2.3.1

- This Weatherboard System must be installed by a qualified trade person. Restricted Building Work (RBW) requires a Licensed Building Practitioner (LBP) or supervised by an LBP. It is the specifier's responsibility to ensure that the details are appropriate for the intended application and that additional detailing is obtained for a specific design or any areas that fall outside the scope of the Southern Pine Products & E2/AS1 Acceptable solution.



TYPE Southern Pine Products - H3.2 Treatment
 Bevel Back WB - Cavity Fix
 NAME PIPE PENETRATION



DRAWING SCALE
1:2 @ A4

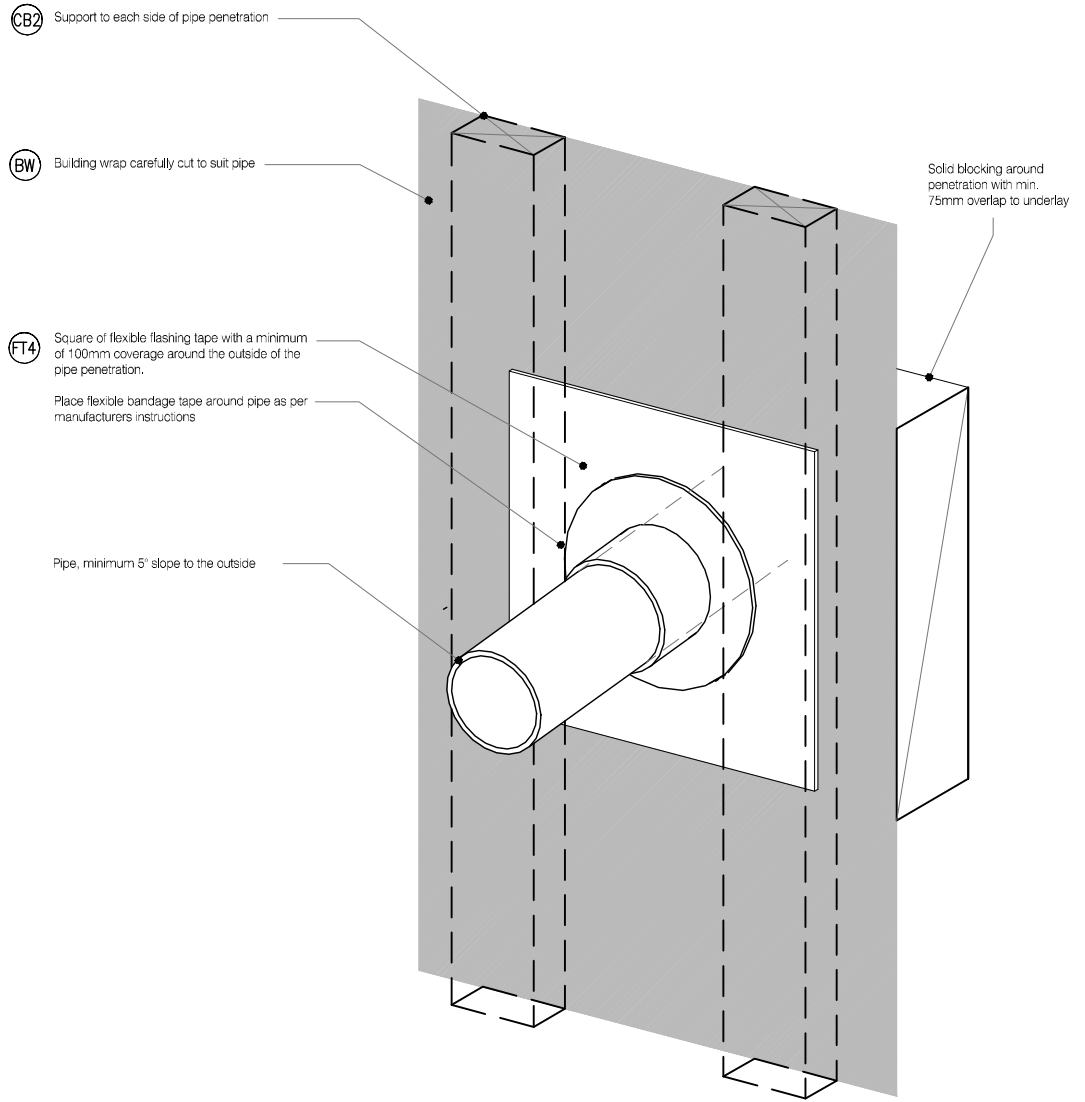
ISSUE DATE
NOV 2023

DRAWING No SPP CF20 BB54
 REVISION

LEGEND :

- | | | |
|--|---|---|
| <p>(BC1) BOXED CORNER COVER : Southern Pine 100 x 18 H3.1 External box corner</p> <p>(BC2) BOXED CORNER COVER : Southern Pine 87 x 18 H3.1 Reversible box corner</p> <p>(BC3) BOXED CORNER COVER : Southern Pine 100 x 18 H3.1 Internal box corner</p> <p>(CB2) CAVITY BATTEN, VERTICAL: 20mm x 45mm H3.1. To form a 20mm cavity.</p> <p>(CB3) CAVITY BATTEN, VERTICAL - STRUCTURALLY FIXED : 45mm x 45mm SPP Radiata Pine, H3.2 70mm x 45mm SPP Radiata Pine, H3.2 To form a 45mm cavity</p> <p>(BW) BUILDING WRAP: Flexible Wall Underlay, As per NZBC E2/AS1 - Table 23. In extra high wind zones, Rigid Underlay required (9.1.7.2 E2/AS1)</p> | <p>(CF) CORNER FLASHING: Aluminium, PVC or Stainless Steel corner flashing. Refer NZBC E2/AS1 4.3 50x50 Hem or Hook to Flashing Edges 75x75 NO, Hem or Hook Required EXTRA HIGH WIND ZONE 100x100 Hem or Hook to Flashing Edges, Refer NZBC E2/AS1 4.5.1</p> <p>(FT3) FLEXIBLE FLASHING TAPE: Flexible flashing tape lapped into corner, Refer NZBC E2/AS1 4.3.1.1 Flashing tape is recommended due to movement that may occur in corners. (Not required by E2/AS1)</p> <p>(FT4) FLEXIBLE FLASHING TAPE: Flexible flashing tape wrapped around pipe and over building wrap, Refer NZBC E2/AS1 4.3.1.1 & Figure 68</p> | <p>(IN) INSULATION: Selected Insulation</p> <p>(PEF) PEF ROD BACKING: Foam backing rod with sealant to perimeter that forms a waterproof air-seal. (Sealant 2:1 Ratio)</p> <p>(TF) TIMBER FRAME: H1.2 min treated timber framing</p> <p>(IL) INTERNAL LINING: Selected Internal Lining</p> <p>(WB) WEATHER BOARD: Southern Pine Bevel Back Weatherboard. Profile to NZS 3617</p> <p>(WS) SCRIBER: Southern Pine H3.1, profile cut to fit weatherboard, sealant to back of scribe and 75 x 3.15mm 316 Stainless Steel nail in 3mm predrilled hole, 40x18 or 60x18 depending on weatherboard size</p> |
|--|---|---|

NOTE : Where 75x3.15 jolt head nails are referenced, these may be substituted for 75mm jolt head weatherboard screws



DETAILS MAY BE SUBJECT TO CHANGE WITHOUT NOTICE

- DENDRO is Southern Pine's premium product range of H3.2 treated, solid, clear weatherboards. Manufactured from high quality, pruned NZ Radiata Pine. Product warranty, 25 years if used in accordance with the Installation & Maintenance Guide.
- All Southern Pine Weatherboard profiles have been machined to be compliant with NZS 3617 and BRANZ BU411
- The Southern Pine Weatherboard System, if designed and installed as per the Installation & Maintenance Guide, will meet

the following provisions of the New Zealand Building Code (NZBC):

- Clause B1 Structure: Performance B1.3.1, B1.3.2, B1.3.4 (a), (b), (c), (d) and (e) for the
- Clause B2 Durability: Performance B2.3.1(b) and B2.3.2(b)
- Clause E2 External Moisture: Performance E2.3.2, E2.3.3, E2.3.5, E2.3.7(b) and (c)
- Clause F2 Hazardous Building Materials: Performance F2.3.1

- This Weatherboard System must be installed by a qualified trade person. Restricted Building Work (RBW) requires a Licensed Building Practitioner (LBP) or supervised by an LBP. It is the specifier's responsibility to ensure that the details are appropriate for the intended application and that additional detailing is obtained for a specific design or any areas that fall outside the scope of the Southern Pine Products & E2/AS1 Acceptable solution.



TYPE Southern Pine Products - H3.2 Treatment
 Bevel Back WB - Cavity Fix
 NAME 3D PIPE PENETRATION



DRAWING SCALE
 1:2 @ A4

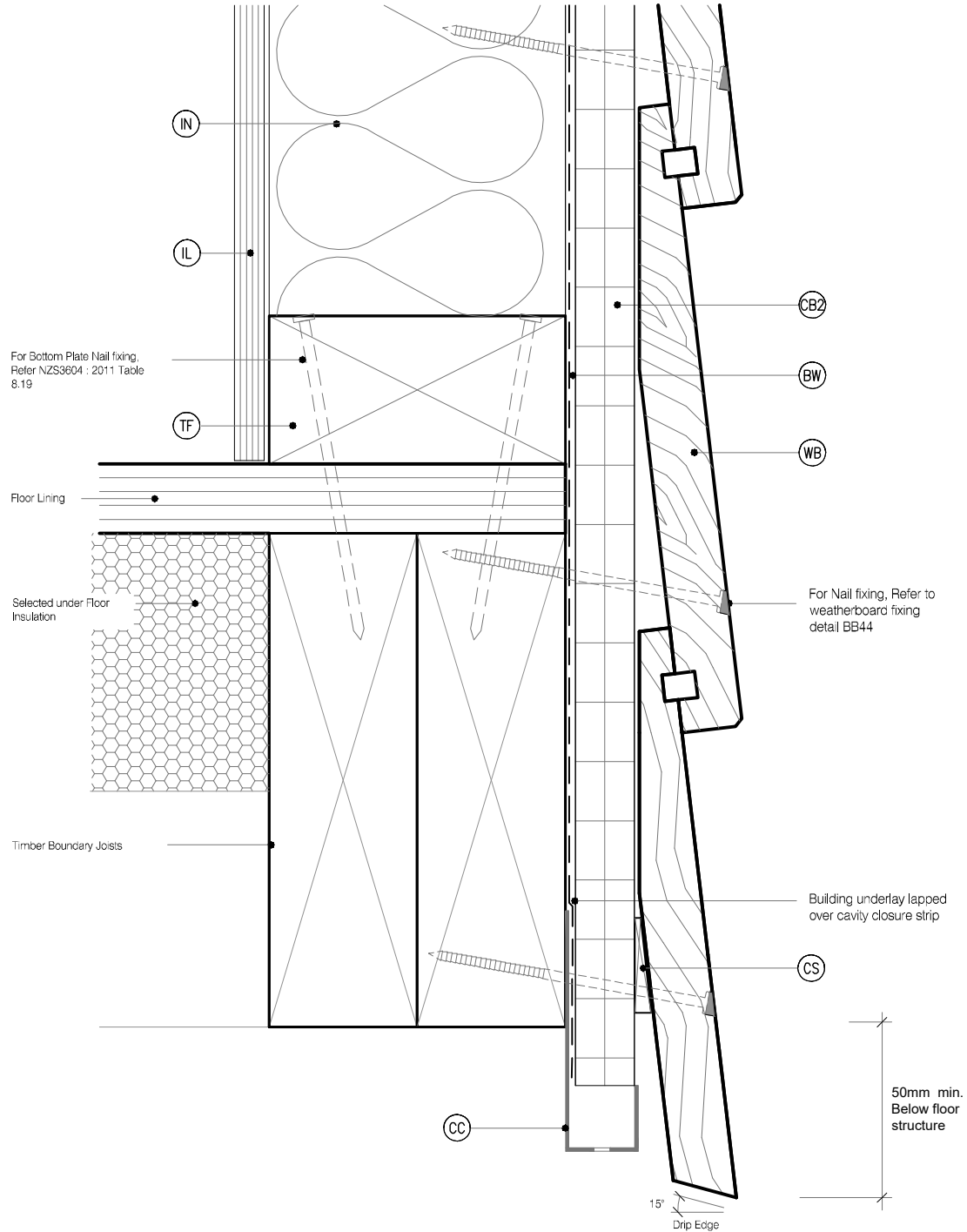
ISSUE DATE
 NOV 2023

DRAWING No SPP CF20 BB55
 REVISION

LEGEND :

- | | | |
|---|--|--|
| <p>(AF) APRON FLASHING: Materials as per E2/AS1 4.0, Coating to match roofing material or refer E2/AS1 Table 21. Flashing Cover 130mm min. (L, M & H ≥ 10°) All others 200mm Refer Table 7 E2/AS1</p> <p>(BW) BUILDING WRAP: Flexible Wall Underlay, As per NZBC E2/AS1 - Table 23. In extra high wind zones, Rigid Underlay required (9.1.7.2 E2/AS1)</p> <p>(CC) CAVITY CLOSURE: Cavity closure strip, positioned to give a 15mm Min drip edge to cladding</p> <p>(IL) INTERNAL LINING: Selected Internal Lining</p> <p>(IN) INSULATION: Selected Insulation</p> | <p>(CB2) CAVITY BATTEN, VERTICAL: 20mm x 45mm H3.1. To form a 20mm cavity.</p> <p>(CB3) CAVITY BATTEN, VERTICAL - STRUCTURALLY FIXED : 45mm x 45mm SPP Radiata Pine, H3.2 70mm x 45mm SPP Radiata Pine, H3.2 To form a 45mm cavity</p> <p>(HS) HEAD SOFFIT SCRIBER: Southern Pine Eaves Mould EM40x27. Fix with 75 x 3.15 316 SS nail in 2.5mm predrilled hole (spaced off cladding with 5mm EPDM washer to provide ventilation. Recommended moisture control, but not required by E2/AS1</p> <p>(MR) METAL ROOFING : Selected Metal Roofing</p> | <p>(CS) CANT STRIP: Southern Pine H3.1 Cant Strip 25mm x 9 mm</p> <p>(SL) SOFFIT LINING: Selected Soffit Lining</p> <p>(TP) TIMBER PACKER: Cant Strip, H3.2 Treated at 300crs to allow ventilation over the top of the wall.</p> <p>(TF) TIMBER FRAME: H1.2 min treated timber framing</p> <p>(RU) ROOFING UNDERLAY: Selected Roofing Underlay As Per AS/AZS4200 with Mesh or Self Supported</p> <p>(WB) WEATHER BOARD: Southern Pine Bevel Back Weatherboard. Profile to NZS 3617</p> |
|---|--|--|

NOTE : Where 75x3.15 jolt head nails are referenced, these may be substituted for 75mm jolt head weatherboard screws



DETAILS MAY BE SUBJECT TO CHANGE WITHOUT NOTICE

- DENDRO is Southern Pine's premium product range of H3.2 treated, solid, clear weatherboards. Manufactured from high quality, pruned NZ Radiata Pine. Product warranty, 25 years if used in accordance with the Installation & Maintenance Guide.
- All Southern Pine Weatherboard profiles have been machined to be compliant with NZS 3617 and BRANZ BU411
- The Southern Pine Weatherboard System, if designed and installed as per the Installation & Maintenance Guide, will meet

the following provisions of the New Zealand Building Code (NZBC):

- Clause B1 Structure: Performance B1.3.1, B1.3.2, B1.3.4 (a), (b), (c), (e) and (e) for the
- Clause B2 Durability: Performance B2.3.1(b) and B2.3.2(b)
- Clause E2 External Moisture: Performance E2.3.2, E2.3.3, E2.3.5, E2.3.7(b) and (c)
- Clause F2 Hazardous Building Materials: Performance F2.3.1

- This Weatherboard System must be installed by a qualified trade person. Restricted Building Work (RBW) requires a Licensed Building Practitioner (LBP) or supervised by an LBP. It is the specifier's responsibility to ensure that the details are appropriate for the intended application and that additional detailing is obtained for a specific design or any areas that fall outside the scope of the Southern Pine Products & E2/AS1 Acceptable solution.



TYPE Southern Pine Products - H3.2 Treatment
 Bevel Back WB - Cavity Fix
 NAME BASE OF WALL - TIMBER



DRAWING SCALE
 1:2 @ A4

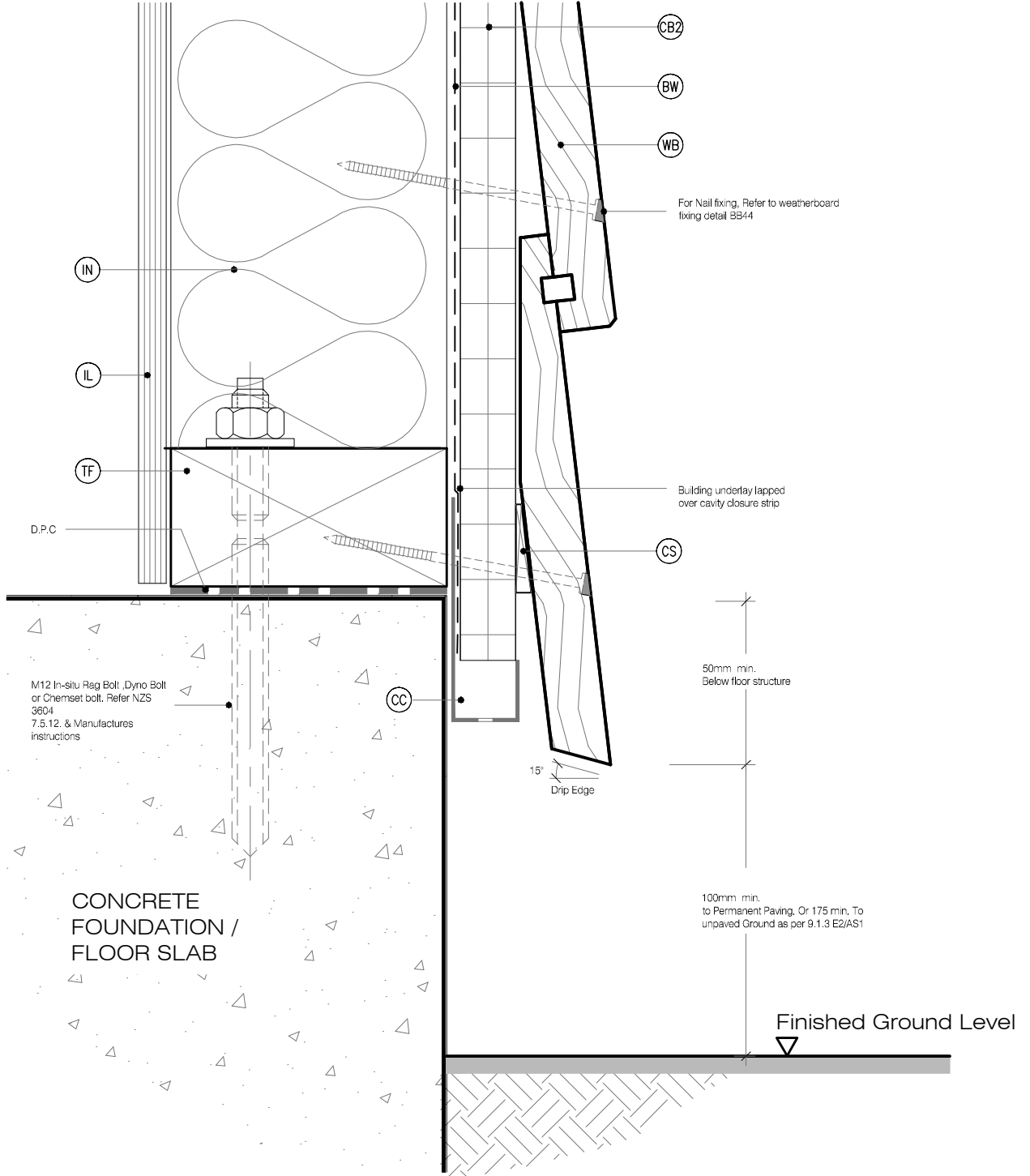
ISSUE DATE
 NOV 2023

DRAWING No SPP CF20 BB60
 REVISION

LEGEND :

- (AF) APRON FLASHING: Materials as per E2/AS1 4.0, Coating to match roofing material or refer E2/AS1 Table 21. Flashing Cover 130mm min. (L, M & H ≥ 10°) All others 200mm Refer Table 7 E2/AS1
- (BW) BUILDING WRAP: Flexible Wall Underlay, As per NZBC E2/AS1 - Table 23. In extra high wind zones, Ridgid Underlay required (9.1.7.2 E2/AS1)
- (CC) CAVITY CLOSURE: Cavity closure strip, positioned to give a 15mm Min drip edge to cladding
- (IL) INTERNAL LINING: Selected Internal Lining
- (IN) INSULATION: Selected Insulation
- (CB2) CAVITY BATTEN, VERTICAL: 20mm x 45mm H3.1. To form a 20mm cavity.
- (CB3) CAVITY BATTEN, VERTICAL - STRUCTURALLY FIXED : 45mm x 45mm SPP Radiata Pine, H3.2 70mm x 45mm SPP Radiata Pine, H3.2 To form a 45mm cavity
- (HS) HEAD SOFFIT SCRIBER: Southern Pine Eaves Mould EM40x27. Fix with 75 x 3.15 316 SS nail in 2.5mm predrilled hole (spaced off cladding with 5mm EPDM washer to provide ventilation. Recommended moisture control, but not required by E2/AS1
- (MR) METAL ROOFING : Selected Metal Roofing
- (CS) CANT STRIP: Southern Pine H3.1 Cant Strip 25mm x 9 mm
- (SL) SOFFIT LINING: Selected Soffit Lining
- (TP) TIMBER PACKER: Cant Strip, H3.2 Treated at 300crs to allow ventilation over the top of the wall.
- (TF) TIMBER FRAME: H1.2 min treated timber framing
- (RU) ROOFING UNDERLAY: Selected Roofing Underlay As Per AS/AZS4200 with Mesh or Self Supported
- (WB) WEATHER BOARD: Southern Pine Bevel Back Weatherboard. Profile to NZS 3617

NOTE : Where 75x3.15 jolt head nails are referenced, these may be substituted for 75mm jolt head weatherboard screws



DETAILS MAY BE SUBJECT TO CHANGE WITHOUT NOTICE

1. DENDRO is Southern Pine's premium product range of H3.2 treated, solid, clear weatherboards. Manufactured from, high quality, pruned NZ Radiata Pine. Product warranty, 25 years if used in accordance with the Installation & Maintenance Guide.
2. All Southern Pine Weatherboard profiles have been machined to be compliant with NZS 3617 and BRANZ BU411
3. The Southern Pine Weatherboard System, if designed and installed as per the Installation & Maintenance Guide, will meet

the following provisions of the New Zealand Building Code (NZBC):

- Clause B1 Structure: Performance B1.3.1, B1.3.2, B1.3.4 (a), (b), (c), (d) and (e) for the
- Clause B2 Durability: Performance B2.3.1(b) and B2.3.2(b)
- Clause E2 External Moisture: Performance E2.3.2, E2.3.3, E2.3.5, E2.3.7(b) and (c)
- Clause F2 Hazardous Building Materials: Performance F2.3.1

4. This Weatherboard System must be installed by a qualified trade person. Restricted Building Work (RBW) requires a Licensed Building Practitioner (LBP) or supervised by an LBP. It is the specifier's responsibility to ensure that the details are appropriate for the intended application and that additional detailing is obtained for a specific design or any areas that fall outside the scope of the Southern Pine Products & E2/AS1 Acceptable solution.



TYPE Southern Pine Products - H3.2 Treatment
 Bevel Back WB - Cavity Fix
 NAME

BASE OF WALL - CONCRETE



DRAWING SCALE
 1:2 @ A4

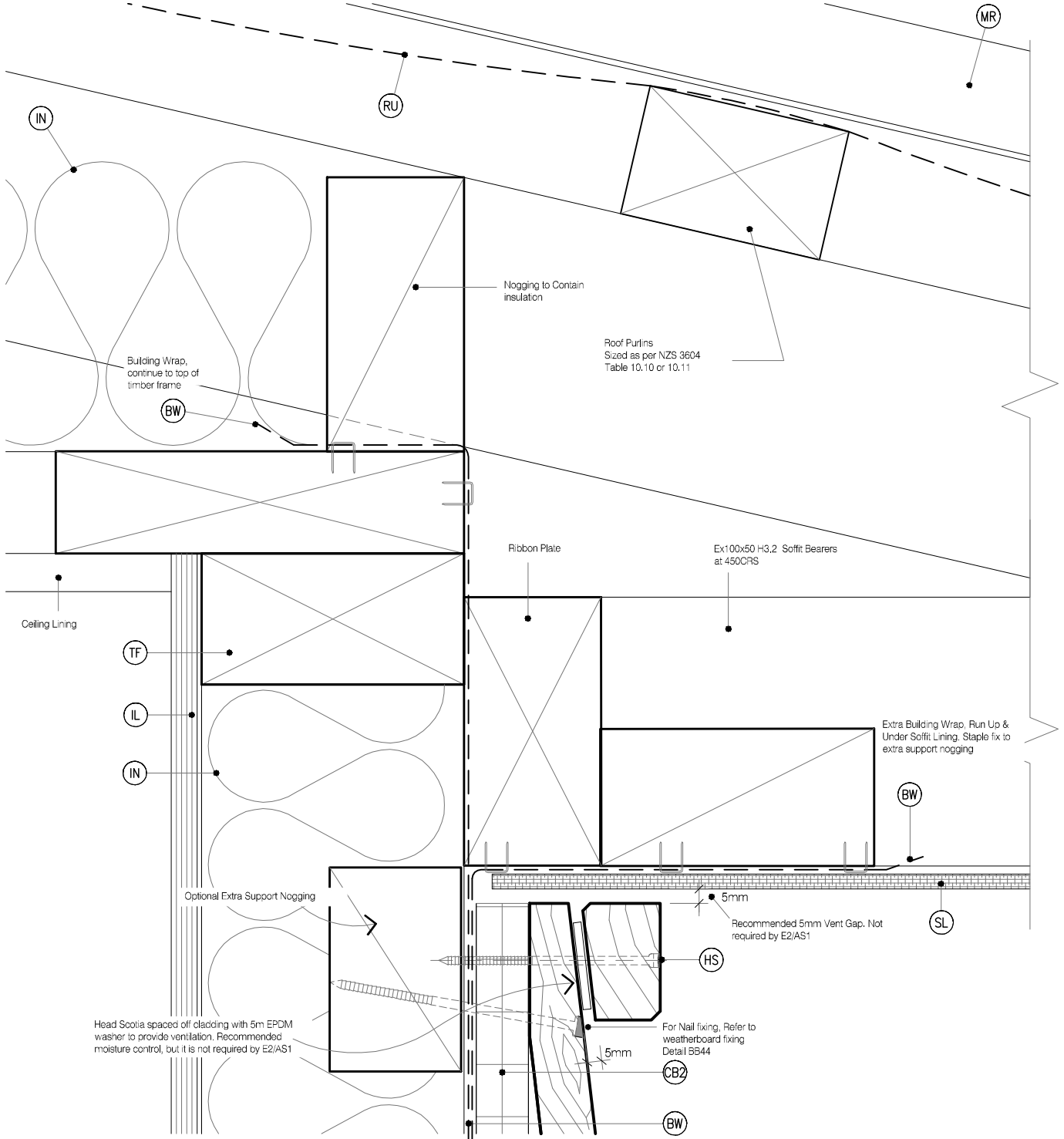
ISSUE DATE
 NOV 2023

DRAWING No SPP CF20 BB61 REVISION

LEGEND :

- | | | |
|---|--|--|
| <p>(AF) APRON FLASHING: Materials as per E2/AS1 4.0, Coating to match roofing material or refer E2/AS1 Table 21. Flashing Cover 130mm min. (L,M & H ≥ 10°) All others 200mm Refer Table 7 E2/AS1</p> <p>(BW) BUILDING WRAP: Flexible Wall Underlay, As per NZBC E2/AS1 - Table 23. In extra high wind zones, Ridgid Underlay required (9.1.7.2 E2/AS1)</p> <p>(CC) CAVITY CLOSURE: Cavity closure strip, positioned to give a 15mm Min drip edge to cladding</p> <p>(IL) INTERNAL LINING: Selected Internal Lining</p> <p>(IN) INSULATION: Selected Insulation</p> | <p>(CB2) CAVITY BATTEN, VERTICAL: 20mm x 45mm H3.1. To form a 20mm cavity.</p> <p>(CB3) CAVITY BATTEN, VERTICAL - STRUCTURALLY FIXED : 45mm x 45mm SPP Radiata Pine, H3.2 70mm x 45mm SPP Radiata Pine, H3.2 To form a 45mm cavity</p> <p>(HS) HEAD SOFFIT SCRIBER: Southern Pine Eaves Mould EM40x27. Fix with 75 x 3.15 316 SS nail in 2.5mm predrilled hole (spaced off cladding with 5mm EPDM washer to provide ventilation. Recommended moisture control, but not required by E2/AS1</p> <p>(MR) METAL ROOFING : Selected Metal Roofing</p> | <p>(CS) CANT STRIP: Southern Pine H3.1 Cant Strip 25mm x 9 mm</p> <p>(SL) SOFFIT LINING: Selected Soffit Lining</p> <p>(TP) TIMBER PACKER: Cant Strip, H3.2 Treated at 300crs to allow ventilation over the top of the wall.</p> <p>(TF) TIMBER FRAME: H1.2 min treated timber framing</p> <p>(RU) ROOFING UNDERLAY: Selected Roofing Underlay As Per AS/AZS4200 with Mesh or Self Supported</p> <p>(WB) WEATHER BOARD: Southern Pine Bevel Back Weatherboard. Profile to NZS 3617</p> |
|---|--|--|

NOTE : Where 75x3.15 jolt head nails are referenced, these may be substituted for 75mm jolt head weatherboard screws



DETAILS MAY BE SUBJECT TO CHANGE WITHOUT NOTICE

- DENDRO® is Southern Pine's premium product range of H3.2 treated, solid, clear weatherboards. Manufactured from, high quality, pruned NZ Radiata Pine. Product warranty, 25 years if used in accordance with the Installation & Maintenance Guide.
- All Southern Pine Weatherboard profiles have been machined to be compliant with NZS 3617 and BRANZ BU411
- The Southern Pine Weatherboard System, if designed and installed as per the Installation & Maintenance Guide, will meet

the following provisions of the New Zealand Building Code (NZBC):

- Clause B1 Structure: Performance B1.3.1, B1.3.2, B1.3.4 (a), (b), (c), (d) and (e) for the
- Clause B2 Durability: Performance B2.3.1(b) and B2.3.2(b)
- Clause E2 External Moisture: Performance E2.3.2, E2.3.3, E2.3.5, E2.3.7(b) and (c)
- Clause F2 Hazardous Building Materials: Performance F2.3.1

- This Weatherboard System must be installed by a qualified trade person. Restricted Building Work (RBW) requires a Licensed Building Practitioner (LBP) or supervised by an LBP. It is the specifier's responsibility to ensure that the details are appropriate for the intended application and that additional detailing is obtained for a specific design or any areas that fall outside the scope of the Southern Pine Products & E2/AS1 Acceptable solution.



TYPE Southern Pine Products - H3.2 Treatment
 Bevel Back WB - Cavity Fix
 NAME SOFFIT DETAIL AT WALL



DRAWING SCALE
 1:2 @ A4

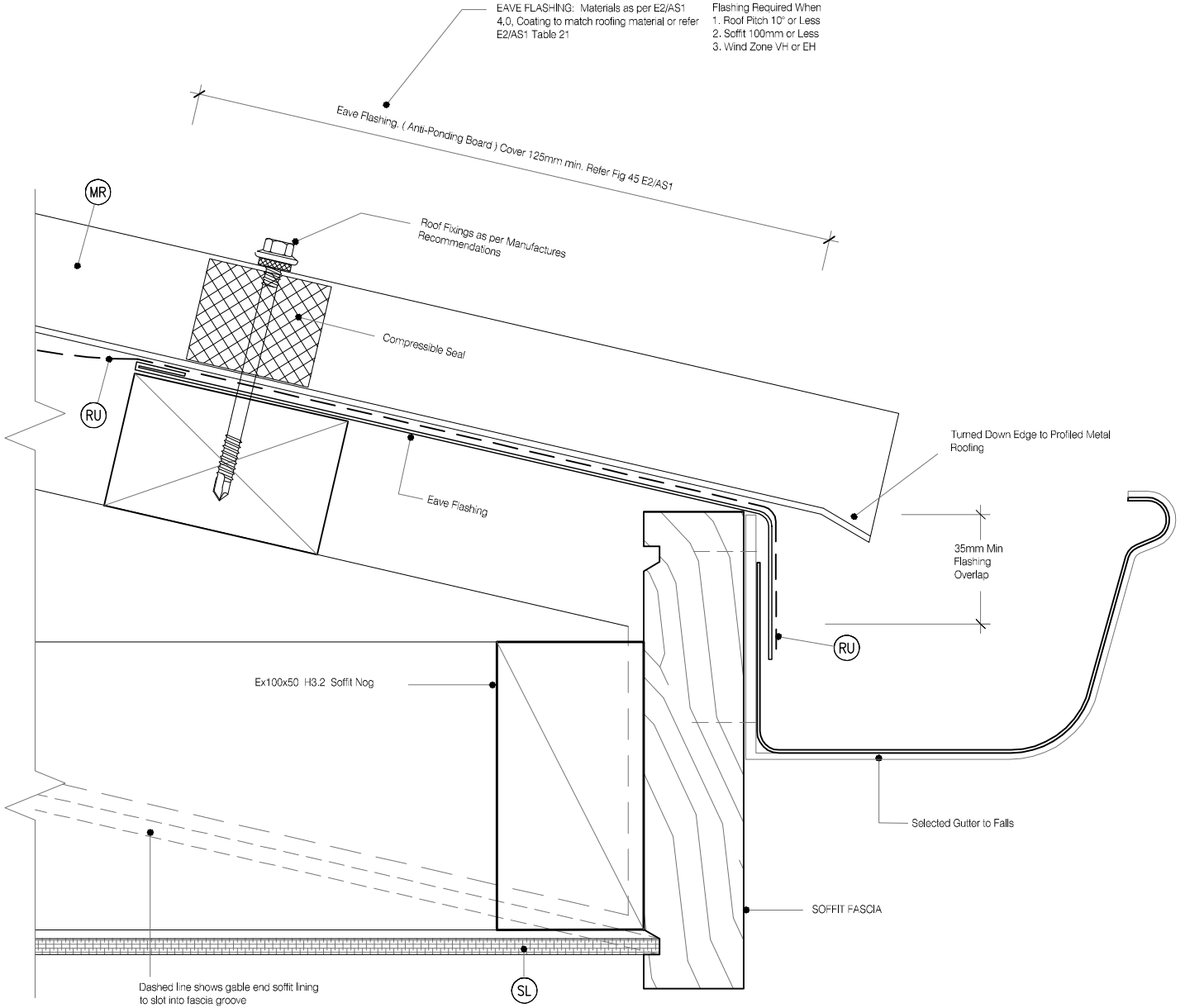
ISSUE DATE
 NOV 2023

DRAWING No SPP CF20 BB62
 REVISION

LEGEND :

- | | | |
|--|--|--|
| <p>(AF) APRON FLASHING: Materials as per E2/AS1 4.0, Coating to match roofing material or refer E2/AS1 Table 21. Flashing Cover 130mm min. (L,M & H ≥ 10") All others 200mm Refer Table 7 E2/AS1</p> <p>(BW) BUILDING WRAP: Flexible Wall Underlay, As per NZBC E2/AS1 - Table 23. In extra high wind zones, Ridgid Underlay required (9.1.7.2 E2/AS1)</p> <p>(CC) CAVITY CLOSURE: Cavity closure strip, positioned to give a 15mm Min drip edge to cladding</p> <p>(IL) INTERNAL LINING: Selected Internal Lining</p> <p>(IN) INSULATION: Selected Insulation</p> | <p>(CB2) CAVITY BATTEN, VERTICAL: 20mm x 45mm H3.1. To form a 20mm cavity.</p> <p>(CB3) CAVITY BATTEN, VERTICAL - STRUCTURALLY FIXED : 45mm x 45mm SPP Radiata Pine, H3.2 70mm x 45mm SPP Radiata Pine, H3.2 To form a 45mm cavity</p> <p>(HS) HEAD SOFFIT SCRIBER: Southern Pine Eaves Mould EM40x27. Fix with 75 x 3.15 316 SS nail in 2.5mm predrilled hole (spaced off cladding with 5mm EPDM washer to provide ventilation. Recommended moisture control, but not required by E2/AS1</p> <p>(MR) METAL ROOFING : Selected Metal Roofing</p> | <p>(CS) CANT STRIP: Southern Pine H3.1 Cant Strip 25mm x 9 mm</p> <p>(SL) SOFFIT LINING: Selected Soffit Lining</p> <p>(TP) TIMBER PACKER: Cant Strip, H3.2 Treated at 300crs to allow ventilation over the top of the wall.</p> <p>(TF) TIMBER FRAME: H1.2 min treated timber framing</p> <p>(RU) ROOFING UNDERLAY: Selected Roofing Underlay As Per AS/AZS4200 with Mesh or Self Supported</p> <p>(WB) WEATHER BOARD: Southern Pine Bevel Back Weatherboard. Profile to NZS 3617</p> |
|--|--|--|

NOTE : Where 75x3.15 jolt head nails are referenced, these may be substituted for 75mm jolt head weatherboard screws



DETAILS MAY BE SUBJECT TO CHANGE WITHOUT NOTICE

- DENDRO® is Southern Pine's premium product range of H3.2 treated, solid, clear weatherboards. Manufactured from high quality, pruned NZ Radiata Pine. Product warranty, 25 years if used in accordance with the Installation & Maintenance Guide.
- All Southern Pine Weatherboard profiles have been machined to be compliant with NZS 3617 and BRANZ BU411
- The Southern Pine Weatherboard System, if designed and installed as per the Installation & Maintenance Guide, will meet

the following provisions of the New Zealand Building Code (NZBC):

- Clause B1 Structure: Performance B1.3.1, B1.3.2, B1.3.4 (a), (b), (c), (d) and (e) for the
- Clause B2 Durability: Performance B2.3.1(b) and B2.3.2(b)
- Clause E2 External Moisture: Performance E2.3.2, E2.3.3, E2.3.5, E2.3.7(b) and (c)
- Clause F2 Hazardous Building Materials: Performance F2.3.1

- This Weatherboard System must be installed by a qualified trade person. Restricted Building Work (RBW) requires a Licensed Building Practitioner (LBP) or supervised by an LBP. It is the specifier's responsibility to ensure that the details are appropriate for the intended application and that additional detailing is obtained for a specific design or any areas that fall outside the scope of the Southern Pine Products & E2/AS1 Acceptable solution.



TYPE Southern Pine Products - H3.2 Treatment
 Bevel Back WB - Cavity Fix

NAME SOFFIT DETAIL AT FASCIA



DRAWING SCALE
 1:2 @ A4

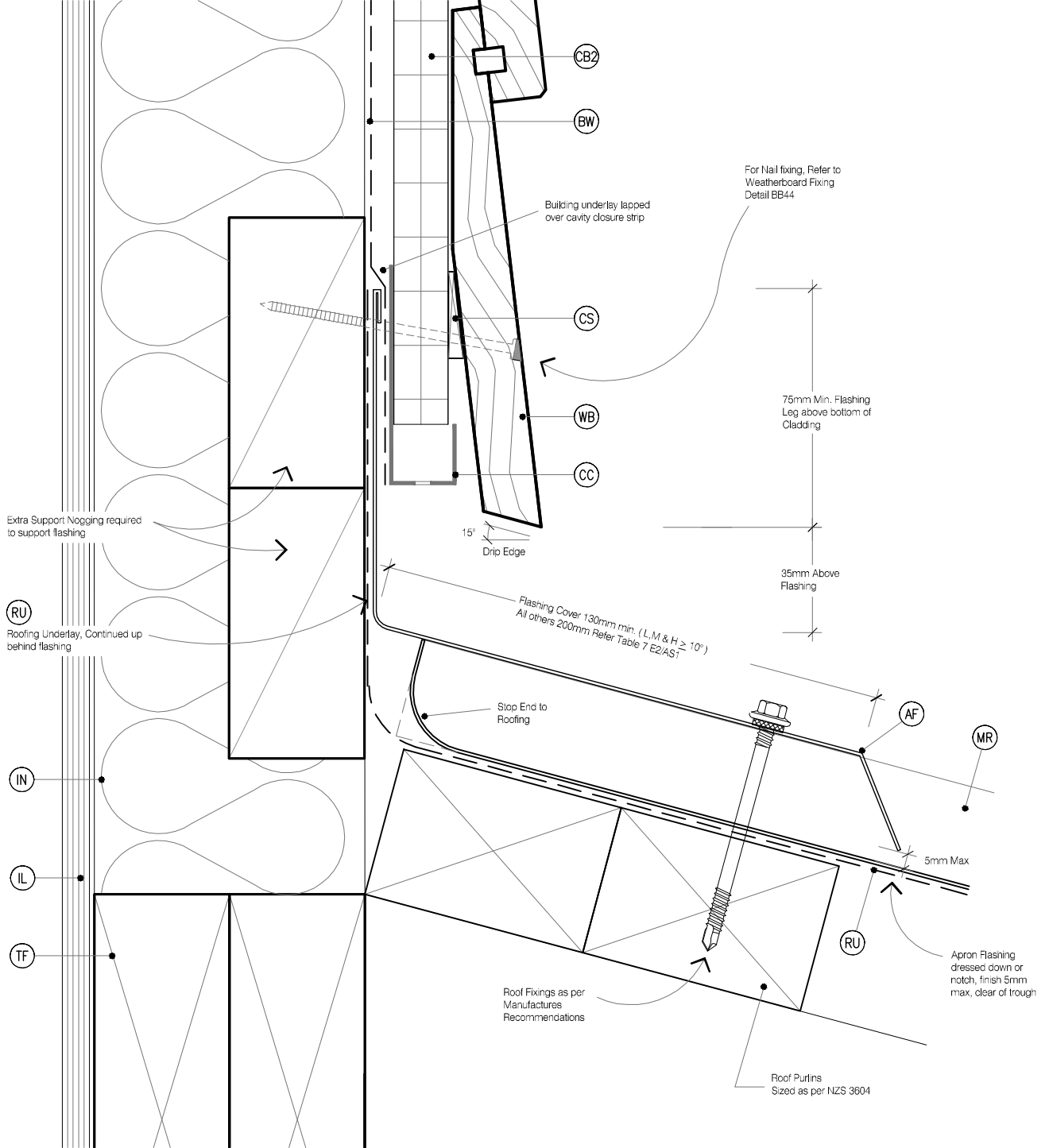
ISSUE DATE
 NOV 2023

DRAWING No SPP CF20 BB63
 REVISION

LEGEND :

- | | | |
|--|---|--|
| <p>(AF) APRON FLASHING: Materials as per E2/AS1 4.0, Coating to match roofing material or refer E2/AS1 Table 21. Flashing Cover 130mm min. (L,M & H ≥ 10") All others 200mm Refer Table 7 E2/AS1</p> <p>(BW) BUILDING WRAP: Flexible Wall Underlay, As per NZBC E2/AS1 - Table 23. In extra high wind zones, Ridgid Underlay required (9.1.7.2 E2/AS1)</p> <p>(CC) CAVITY CLOSURE: Cavity closure strip, positioned to give a 15mm Min drip edge to cladding</p> <p>(IL) INTERNAL LINING: Selected Internal Lining</p> <p>(IN) INSULATION: Selected Insulation</p> | <p>(CB2) CAVITY BATTEN, VERTICAL: 20mm x 45mm H3.1. To form a 20mm cavity.</p> <p>(CB3) CAVITY BATTEN, VERTICAL - STRUCTURALLY FIXED: 45mm x 45mm SPP Radiata Pine, H3.2 70mm x 45mm SPP Radiata Pine, H3.2 To form a 45mm cavity</p> <p>(HS) HEAD SOFFIT SCRIBER: Southern Pine Eaves Mould EM40x27. Fix with 75 x 3.15 316 SS nail in 2.5mm predrilled hole (spaced off cladding with 5mm EPDM washer to provide ventilation. Recommended moisture control, but not required by E2/AS1</p> <p>(MR) METAL ROOFING : Selected Metal Roofing</p> | <p>(CS) CANT STRIP: Southern Pine H3.1 Cant Strip 25mm x 9 mm</p> <p>(SL) SOFFIT LINING: Selected Soffit Lining</p> <p>(TP) TIMBER PACKER: Cant Strip, H3.2 Treated at 300crs to allow ventilation over the top of the wall.</p> <p>(TF) TIMBER FRAME: H1.2 min treated timber framing</p> <p>(RU) ROOFING UNDERLAY: Selected Roofing Underlay As Per AS/AZS4200 with Mesh or Self Supported</p> <p>(WB) WEATHER BOARD: Southern Pine Bevel Back Weatherboard. Profile to NZS 3617</p> |
|--|---|--|

NOTE : Where 75x3.15 jolt head nails are referenced, these may be substituted for 75mm jolt head weatherboard screws



DETAILS MAY BE SUBJECT TO CHANGE WITHOUT NOTICE

- DENDRO is Southern Pine's premium product range of H3.2 treated, solid, clear weatherboards. Manufactured from, high quality, pruned NZ Radiata Pine. Product warranty, 25 years if used in accordance with the Installation & Maintenance Guide.
- All Southern Pine Weatherboard profiles have been machined to be compliant with NZS 3617 and BRANZ BU411
- The Southern Pine Weatherboard System, if designed and installed as per the Installation & Maintenance Guide, will meet

- the following provisions of the New Zealand Building Code (NZBC):
- Clause B1 Structure: Performance B1.3.1, B1.3.2, B1.3.4 (a), (b), (c), (d) and (e) for the
 - Clause B2 Durability: Performance B2.3.1 (b) and B2.3.2 (b)
 - Clause E2 External Moisture: Performance E2.3.2, E2.3.3, E2.3.5, E2.3.7 (b) and (c)
 - Clause F2 Hazardous Building Materials: Performance F2.3.1

- This Weatherboard System must be installed by a qualified trade person. Restricted Building Work (RBW) requires a Licensed Building Practitioner (LBP) or supervised by an LBP. It is the specifier's responsibility to ensure that the details are appropriate for the intended application and that additional detailing is obtained for a specific design or any areas that fall outside the scope of the Southern Pine Products & E2/AS1 Acceptable solution.



TYPE Southern Pine Products - H3.2 Treatment
 Bevel Back WB - Cavity Fix
 NAME APRON FLASHING - ROOF TO WALL JUNCTION



DRAWING SCALE
1:2 @ A4

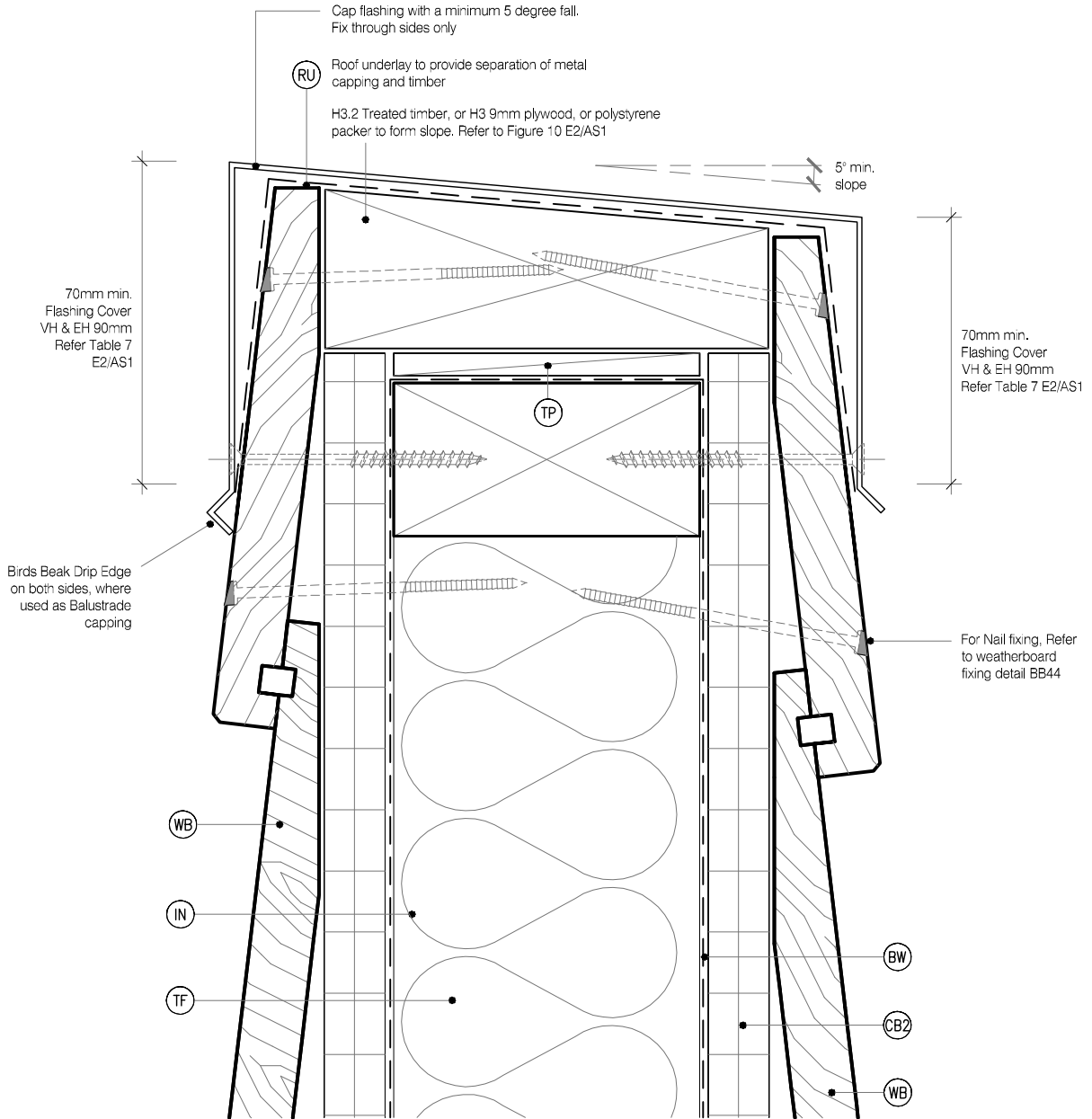
ISSUE DATE
NOV 2023

DRAWING No SPP CF20 BB64	REVISION
-----------------------------	----------

LEGEND :

- | | | |
|---|--|--|
| <p>(AF) APRON FLASHING: Materials as per E2/AS1 4.0, Coating to match roofing material or refer E2/AS1 Table 21. Flashing Cover 130mm min. (L,M & H ≥ 10") All others 200mm Refer Table 7 E2/AS1</p> <p>(BW) BUILDING WRAP: Flexible Wall Underlay, As per NZBC E2/AS1 - Table 23. In extra high wind zones, Ridgid Underlay required (9.1.7.2 E2/AS1)</p> <p>(CC) CAVITY CLOSURE: Cavity closure strip, positioned to give a 15mm Min drip edge to cladding</p> <p>(IL) INTERNAL LINING: Selected Internal Lining</p> <p>(IN) INSULATION: Selected Insulation</p> | <p>(CB2) CAVITY BATTEN, VERTICAL: 20mm x 45mm H3.1. To form a 20mm cavity.</p> <p>(CB3) CAVITY BATTEN, VERTICAL - STRUCTURALLY FIXED : 45mm x 45mm SPP Radiata Pine, H3.2 70mm x 45mm SPP Radiata Pine, H3.2 To form a 45mm cavity</p> <p>(HS) HEAD SOFFIT SCRIBER: Southern Pine Eaves Mould EM40x27. Fix with 75 x 3.15 316 SS nail in 2.5mm predrilled hole (spaced off cladding with 5mm EPDM washer to provide ventilation. Recommended moisture control, but not required by E2/AS1</p> <p>(MR) METAL ROOFING : Selected Metal Roofing</p> | <p>(CS) CANT STRIP: Southern Pine H3.1 Cant Strip 25mm x 9 mm</p> <p>(SL) SOFFIT LINING: Selected Soffit Lining</p> <p>(TP) TIMBER PACKER: Cant Strip, H3.2 Treated at 300crs to allow ventilation over the top of the wall.</p> <p>(TF) TIMBER FRAME: H1.2 min treated timber framing</p> <p>(RU) ROOFING UNDERLAY: Selected Roofing Underlay As Per AS/AZS4200 with Mesh or Self Supported</p> <p>(WB) WEATHER BOARD: Southern Pine Bevel Back Weatherboard. Profile to NZS 3617</p> |
|---|--|--|

NOTE : Where 75x3.15 jolt head nails are referenced, these may be substituted for 75mm jolt head weatherboard screws



DETAILS MAY BE SUBJECT TO CHANGE WITHOUT NOTICE

- DENDRO is Southern Pine's premium product range of H3.2 treated, solid, clear weatherboards. Manufactured from high quality, pruned NZ Radiata Pine. Product warranty, 25 years if used in accordance with the Installation & Maintenance Guide.
- All Southern Pine Weatherboard profiles have been machined to be compliant with NZS 3617 and BRANZ BU411
- The Southern Pine Weatherboard System, if designed and installed as per the Installation & Maintenance Guide, will meet

the following provisions of the New Zealand Building Code (NZBC):

- Clause B1 Structure: Performance B1.3.1, B1.3.2, B1.3.4 (a), (b), (c), (d) and (e) for the
- Clause B2 Durability: Performance B2.3.1(b) and B2.3.2(b)
- Clause E2 External Moisture: Performance E2.3.2, E2.3.3, E2.3.5, E2.3.7(b) and (c)
- Clause F2 Hazardous Building Materials: Performance F2.3.1

- This Weatherboard System must be installed by a qualified trade person. Restricted Building Work (RBW) requires a Licensed Building Practitioner (LBP) or supervised by an LBP. It is the specifier's responsibility to ensure that the details are appropriate for the intended application and that additional detailing is obtained for a specific design or any areas that fall outside the scope of the Southern Pine Products & E2/AS1 Acceptable solution.



TYPE Southern Pine Products - H3.2 Treatment
 Bevel Back WB - Cavity Fix

NAME

TYPICAL PARAPET CAPPING
 JOINT DETAILS



DRAWING SCALE
 1:2 @ A4

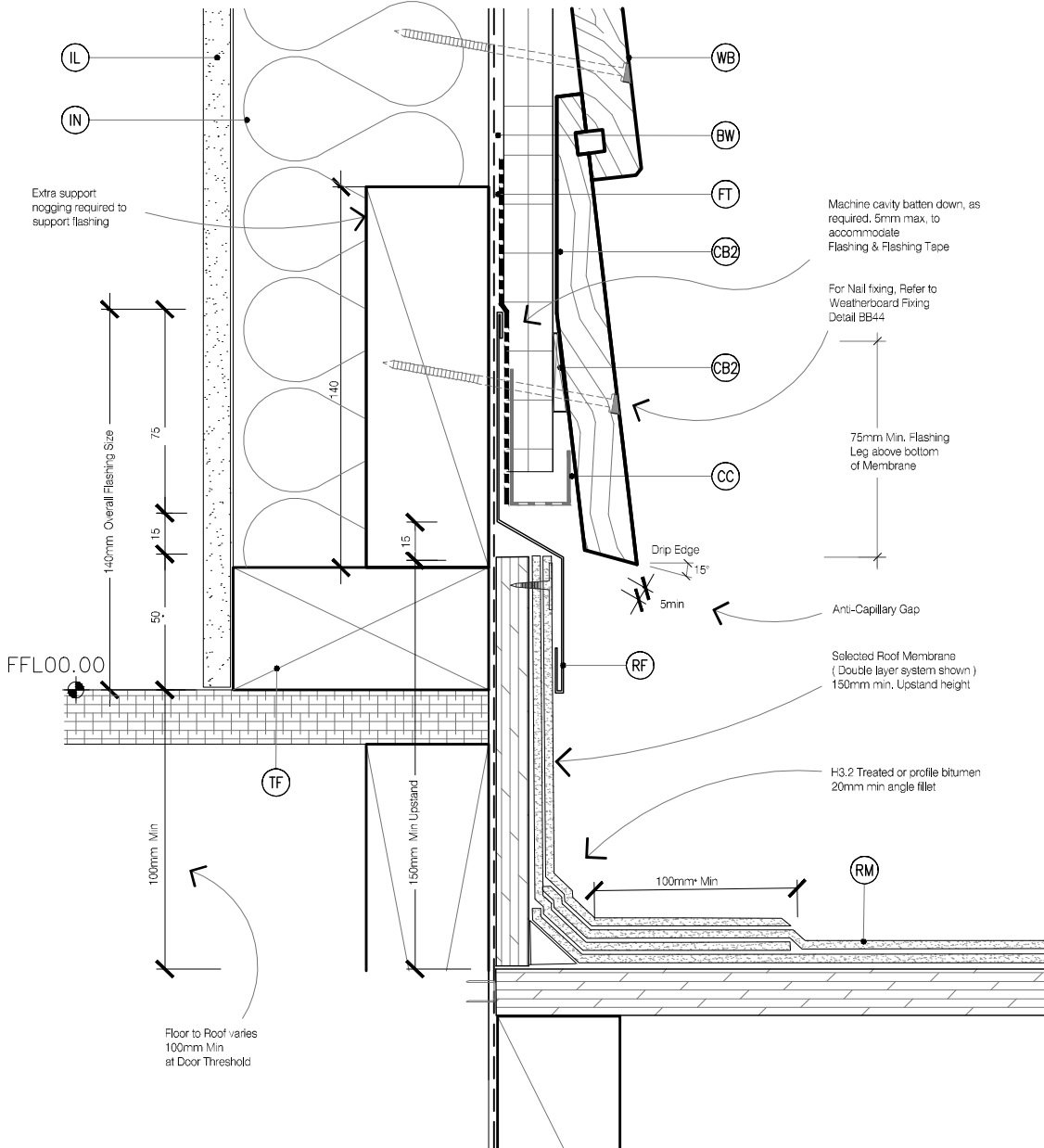
ISSUE DATE
 NOV 2023

DRAWING No SPP CF20 BB65 REVISION

LEGEND :

- | | | |
|--|--|---|
| <p>(PSP) PARAPET SADDLE FLASHING: Materials as per E2/AS1 4.0, refer E2/AS1 Figure 11 & 12 . Typically 0.45mm Min 316 Stainless Steel. Refer Table 20 & Table 21 for Comparability of Materials in Contact</p> <p>(BW) BUILDING WRAP: Flexible Wall Underlay, As per NZBC E2/AS1 - Table 23, In extra high wind zones, Rigid Underlay required (9.1.7.2 E2/AS1)</p> <p>(FT) FLASHING TAPE: As per E2/AS1 4.3.11</p> <p>(CC) CAVITY CLOSURE: Cavity closure strip, positioned to give a 15mm Min drip edge to cladding</p> <p>(IL) INTERNAL LINING: Selected Internal Lining</p> | <p>(CB2) CAVITY BATTEN, VERTICAL: 20mm x 45mm H3.1. To form a 20mm cavity.</p> <p>(CB3) CAVITY BATTEN, VERTICAL - STRUCTURALLY FIXED : 45mm x 45mm SPP Radiata Pine, H3.2 70mm x 45mm SPP Radiata Pine, H3.2 To form a 45mm cavity</p> <p>(RM) ROOFING MEMBRANE: Selected System on 17mm CCA treated H3.2 grade plywood glued and screwed to Rafter. Roof Membrane requires 400mm solid block support each way & solid support to all sheet edges</p> | <p>(IN) INSULATION: Selected Insulation</p> <p>(RF) ROOF FLASHING: Materials as per E2/AS1 4.3</p> <p>(PB) PLYWOOD BACKING: 17mm CCA treated H3.2 grade plywood substrate</p> <p>(CF) CAP FLASHING: Continuous parapet flashing. Materials as per E2/AS1 4.3 + Figure 9 & Table 7</p> <p>(TF) TIMBER FRAME: H1.2 min treated timber framing</p> <p>(WB) WEATHER BOARD: Southern Pine Bevel Back Weatherboard. Profile to NZS 3617</p> |
|--|--|---|

NOTE : Where 75x3.15 jolt head nails are referenced, these may be substituted for 75mm jolt head weatherboard screws



- DENDRO® is Southern Pine's premium product range of H3.2 treated, solid, clear weatherboards. Manufactured from, high quality, pruned NZ Radiata Pine. Product warranty, 25 years if used in accordance with the Installation & Maintenance Guide.
- All Southern Pine Weatherboard profiles have been machined to be compliant with NZS 3617 and BRANZ BU411
- The Southern Pine Weatherboard System, if designed and installed as per the Installation & Maintenance Guide, will meet

- the following provisions of the New Zealand Building Code (NZBC):
- Clause B1 Structure: Performance B1.3.1, B1.3.2, B1.3.4 (a), (b), (c), (e) and (e) for the
 - Clause B2 Durability: Performance B2.3.1(b) and B2.3.2(b)
 - Clause E2 External Moisture: Performance E2.3.2, E2.3.3, E2.3.5, E2.3.7(b) and (c)
 - Clause F2 Hazardous Building Materials: Performance F2.3.1

- This Weatherboard System must be installed by a qualified trade person. Restricted Building Work (RBW) requires a Licensed Building Practitioner (LBP) or supervised by an LBP. It is the specifier's responsibility to ensure that the details are appropriate for the intended application and that additional detailing is obtained for a specific design or any areas that fall outside the scope of the Southern Pine Products & E2/AS1 Acceptable solution.

DETAILS MAY BE SUBJECT TO CHANGE WITHOUT NOTICE



TYPE Southern Pine Products - H3.2 Treatment
 Bevel Back WB - Cavity Fix

NAME BASE OF WALL, MEMBRANE ROOF



DRAWING SCALE
 1:2.5 @ A4

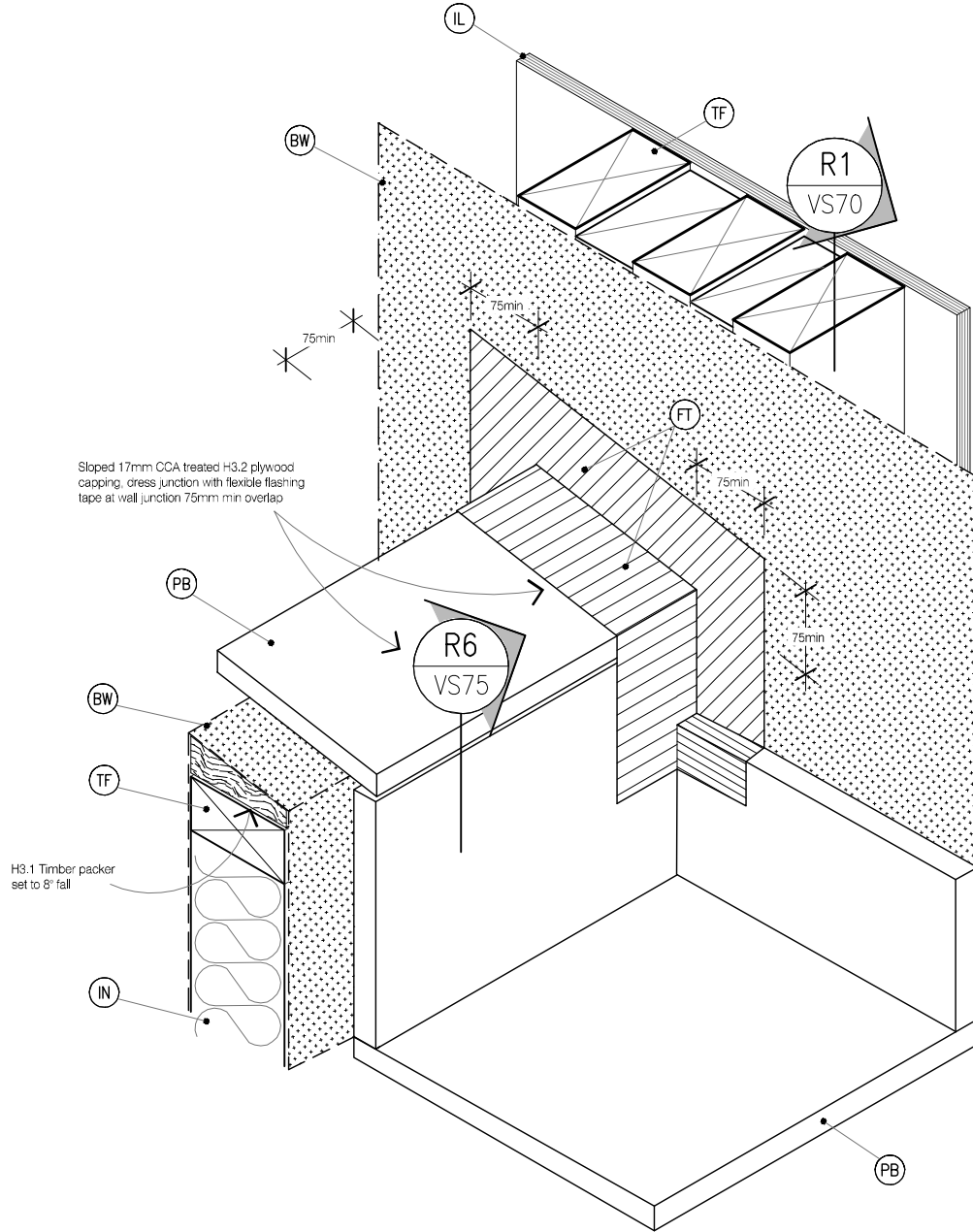
ISSUE DATE
 NOV 2023

DRAWING No SPP CF20 BB70 REVISION

LEGEND :

- | | | |
|---|--|---|
| <p>(PSP) PARAPET SADDLE FLASHING: Materials as per E2/AS1 4.0, refer E2/AS1 Figure 11 & 12 . Typically 0.45mm Min 316 Stainless Steel. Refer Table 20 & Table 21 for Comparability of Materials in Contact</p> <p>(BW) BUILDING WRAP: Flexible Wall Underlay, As per NZBC E2/AS1 - Table 23, In extra high wind zones, Ridgid Underlay required (9.1.7.2 E2/AS1)</p> <p>(FT) FLASHING TAPE: As per E2/AS1 4.3.11</p> <p>(CC) CAVITY CLOSURE: Cavity closure strip, positioned to give a 15mm Min drip edge to cladding</p> <p>(IL) INTERNAL LINING: Selected Internal Lining</p> | <p>(CB2) CAVITY BATTEN, VERTICAL: 20mm x 45mm H3.1. To form a 20mm cavity.</p> <p>(CB3) CAVITY BATTEN, VERTICAL - STRUCTURALLY FIXED : 45mm x 45mm SPP Radiata Pine, H3.2 70mm x 45mm SPP Radiata Pine, H3.2 To form a 45mm cavity</p> <p>(RM) ROOFING MEMBRANE: Selected System on 17mm CCA treated H3.2 grade plywood glued and screwed to Rafter. Roof Membrane requires 400mm solid block support each way & solid support to all sheet edges</p> | <p>(IN) INSULATION: Selected Insulation</p> <p>(RF) ROOF FLASHING: Materials as per E2/AS1 4.3</p> <p>(PB) PLYWOOD BACKING: 17mm CCA treated H3.2 grade plywood substrate</p> <p>(CF) CAP FLASHING: Continuous parapet flashing. Materials as per E2/AS1 4.3 + Figure 9 & Table 7</p> <p>(TF) TIMBER FRAME: H1.2 min treated timber framing</p> <p>(WB) WEATHER BOARD: Southern Pine Bevel Back Weatherboard. Profile to NZS 3617</p> |
|---|--|---|

NOTE : Where 75x3.15 jolt head nails are referenced, these may be substituted for 75mm jolt head weatherboard screws



STAGE ONE



- DENDRO is Southern Pine's premium product range of H3.2 treated, solid, clear weatherboards. Manufactured from, high quality, pruned NZ Radiata Pine. Product warranty, 25 years if used in accordance with the Installation & Maintenance Guide.
- All Southern Pine Weatherboard profiles have been machined to be compliant with NZS 3617 and BRANZ BU411
- The Southern Pine Weatherboard System, if designed and installed as per the Installation & Maintenance Guide, will meet

- the following provisions of the New Zealand Building Code (NZBC):
- Clause B1 Structure: Performance B1.3.1, B1.3.2, B1.3.4 (a), (b), (c), (d) and (e) for the
 - Clause B2 Durability: Performance B2.3.1(b) and B2.3.2(b)
 - Clause E2 External Moisture: Performance E2.3.2, E2.3.3, E2.3.5, E2.3.7(b) and (c)
 - Clause F2 Hazardous Building Materials: Performance F2.3.1

- This Weatherboard System must be installed by a qualified trade person. Restricted Building Work (RBW) requires a Licensed Building Practitioner (LBP) or supervised by an LBP. It is the specifier's responsibility to ensure that the details are appropriate for the intended application and that additional detailing is obtained for a specific design or any areas that fall outside the scope of the Southern Pine Products & E2/AS1 Acceptable solution.

DETAILS MAY BE SUBJECT TO CHANGE WITHOUT NOTICE



TYPE Southern Pine Products - H3.2 Treatment
 Bevel Back WB - Cavity Fix

NAME DECK TO ROOF MEMBRANE -
 SADDLE FLASHING - STAGE ONE



DRAWING SCALE
 1:5 @ A4

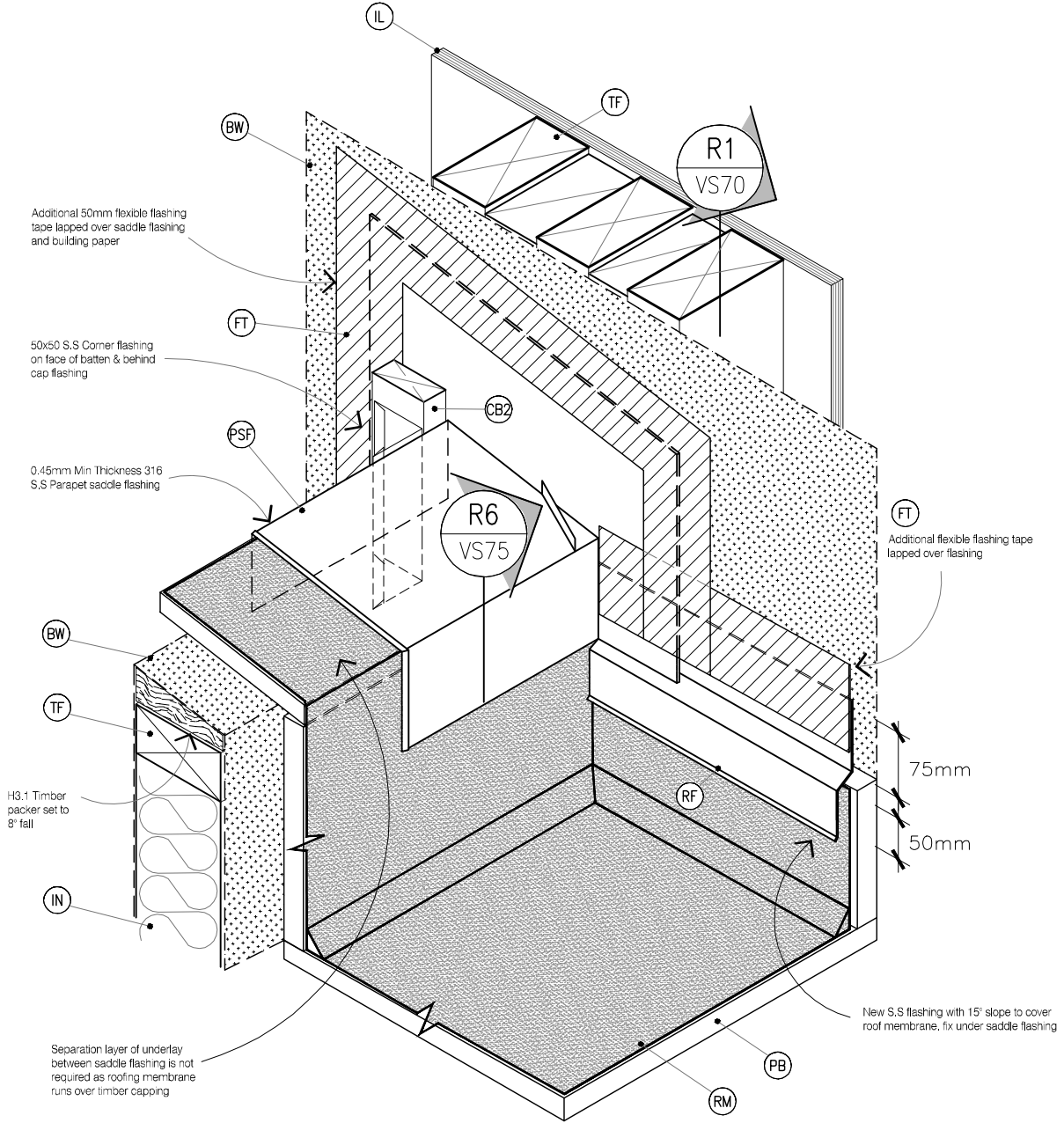
ISSUE DATE
 NOV 2023

DRAWING No SPP CF20 BB71 REVISION

LEGEND :

- | | | |
|---|--|---|
| <p>(PSP) PARAPET SADDLE FLASHING: Materials as per E2/AS1 4.0, refer E2/AS1 Figure 11 & 12 . Typically 0.45mm Min 316 Stainless Steel. Refer Table 20 & Table 21 for Comparability of Materials in Contact</p> <p>(BW) BUILDING WRAP: Flexible Wall Underlay, As per NZBC E2/AS1 - Table 23, In extra high wind zones, Ridgid Underlay required (9.1.7.2 E2/AS1)</p> <p>(FT) FLASHING TAPE: As per E2/AS1 4.3.11</p> <p>(CC) CAVITY CLOSURE: Cavity closure strip, positioned to give a 15mm Min drip edge to cladding</p> <p>(IL) INTERNAL LINING: Selected Internal Lining</p> | <p>(CB2) CAVITY BATTEN, VERTICAL: 20mm x 45mm H3.1. To form a 20mm cavity.</p> <p>(CB3) CAVITY BATTEN, VERTICAL - STRUCTURALLY FIXED : 45mm x 45mm SPP Radiata Pine, H3.2 70mm x 45mm SPP Radiata Pine, H3.2 To form a 45mm cavity</p> <p>(RM) ROOFING MEMBRANE: Selected System on 17mm CCA treated H3.2 grade plywood glued and screwed to Rafter. Roof Membrane requires 400mm solid block support each way & solid support to all sheet edges</p> | <p>(IN) INSULATION: Selected Insulation</p> <p>(RF) ROOF FLASHING: Materials as per E2/AS1 4.3</p> <p>(PB) PLYWOOD BACKING: 17mm CCA treated H3.2 grade plywood substrate</p> <p>(CF) CAP FLASHING: Continuous parapet flashing. Materials as per E2/AS1 4.3 + Figure 9 & Table 7</p> <p>(TF) TIMBER FRAME: H1.2 min treated timber framing</p> <p>(WB) WEATHER BOARD: Southern Pine Bevel Back Weatherboard. Profile to NZS 3617</p> |
|---|--|---|

NOTE : Where 75x3.15 jolt head nails are referenced, these may be substituted for 75mm jolt head weatherboard screws



STAGE TWO



DETAILS MAY BE SUBJECT TO CHANGE WITHOUT NOTICE

- DENDRO® is Southern Pine's premium product range of H3.2 treated, solid, clear weatherboards. Manufactured from, high quality, pruned NZ Radiata Pine. Product warranty, 25 years if used in accordance with the Installation & Maintenance Guide.
- All Southern Pine Weatherboard profiles have been machined to be compliant with NZS 3617 and BRANZ BU411
- The Southern Pine Weatherboard System, if designed and installed as per the Installation & Maintenance Guide, will meet

- the following provisions of the New Zealand Building Code (NZBC):
- Clause B1 Structure: Performance B1.3.1, B1.3.2, B1.3.4 (a), (b), (c), (d) and (e) for the
 - Clause B2 Durability: Performance B2.3.1(b) and B2.3.2(b)
 - Clause E2 External Moisture: Performance E2.3.2, E2.3.3, E2.3.5, E2.3.7(b) and (c)
 - Clause F2 Hazardous Building Materials: Performance F2.3.1

- This Weatherboard System must be installed by a qualified trade person. Restricted Building Work (RBW) requires a Licensed Building Practitioner (LBP) or supervised by an LBP. It is the specifier's responsibility to ensure that the details are appropriate for the intended application and that additional detailing is obtained for a specific design or any areas that fall outside the scope of the Southern Pine Products & E2/AS1 Acceptable solution.



TYPE Southern Pine Products - H3.2 Treatment
 Bevel Back WB - Cavity Fix

NAME DECK TO ROOF MEMBRANE -
 SADDLE FLASHING - STAGE TWO

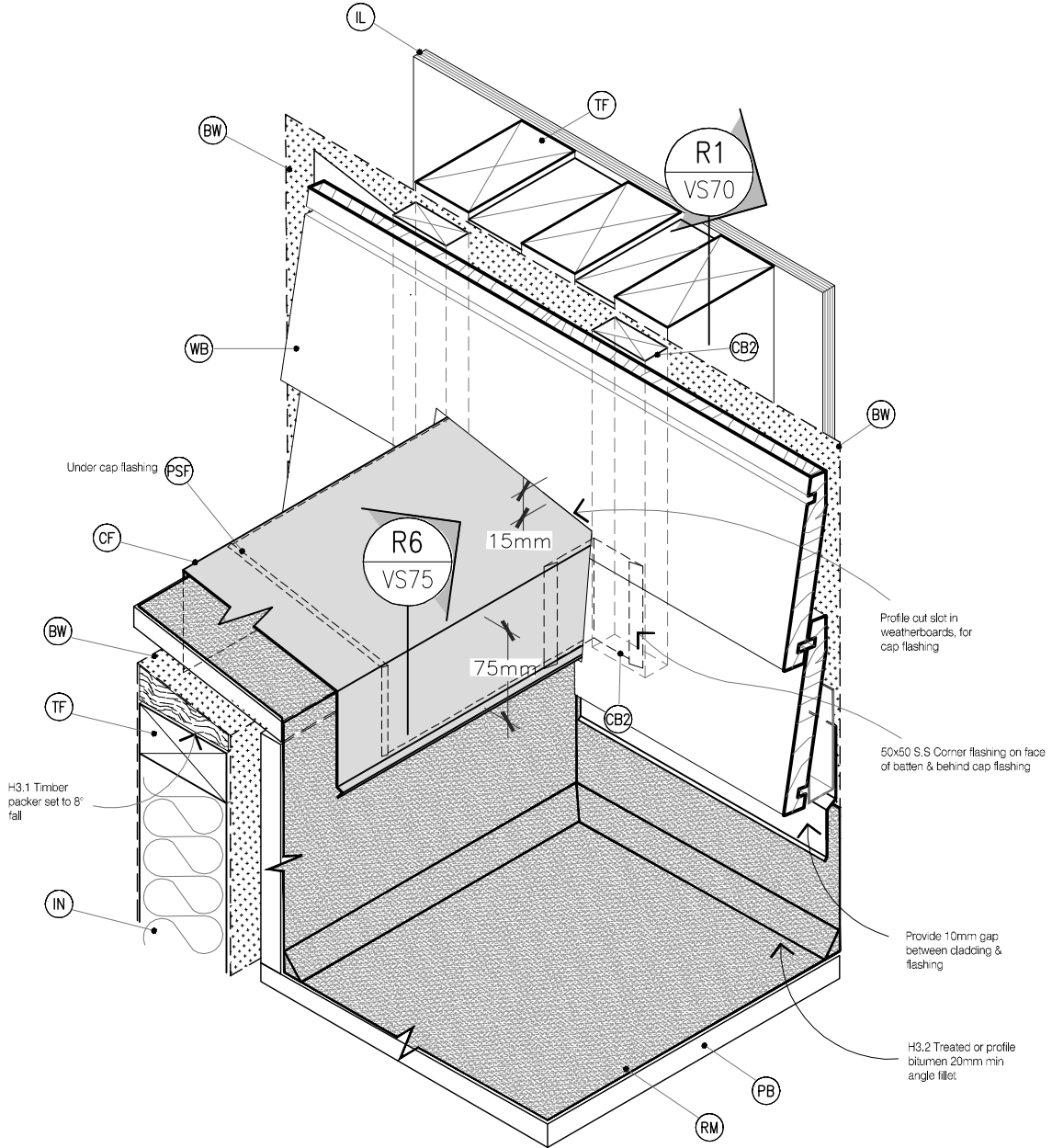


DRAWING SCALE 1:5 @ A4	ISSUE DATE NOV 2023
DRAWING No SPP CF20 BB72	REVISION

LEGEND :

- | | | |
|---|--|---|
| <p>(PSP) PARAPET SADDLE FLASHING: Materials as per E2/AS1 4.0, refer E2/AS1 Figure 11 & 12 . Typically 0.45mm Min 316 Stainless Steel. Refer Table 20 & Table 21 for Comparability of Materials in Contact</p> <p>(BW) BUILDING WRAP: Flexible Wall Underlay, As per NZBC E2/AS1 - Table 23, In extra high wind zones, Ridgid Underlay required (9.1.7.2 E2/AS1)</p> <p>(FT) FLASHING TAPE: As per E2/AS1 4.3.11</p> <p>(CC) CAVITY CLOSURE: Cavity closure strip, positioned to give a 15mm Min drip edge to cladding</p> <p>(IL) INTERNAL LINING: Selected Internal Lining</p> | <p>(CB2) CAVITY BATTEN, VERTICAL: 20mm x 45mm H3.1. To form a 20mm cavity.</p> <p>(CB3) CAVITY BATTEN, VERTICAL - STRUCTURALLY FIXED : 45mm x 45mm SPP Radiata Pine, H3.2 70mm x 45mm SPP Radiata Pine, H3.2 To form a 45mm cavity</p> <p>(RM) ROOFING MEMBRANE: Selected System on 17mm CCA treated H3.2 grade plywood glued and screwed to Rafter. Roof Membrane requires 400mm solid block support each way & solid support to all sheet edges</p> | <p>(IN) INSULATION: Selected Insulation</p> <p>(RF) ROOF FLASHING: Materials as per E2/AS1 4.3</p> <p>(PB) PLYWOOD BACKING: 17mm CCA treated H3.2 grade plywood substrate</p> <p>(CF) CAP FLASHING: Continuous parapet flashing. Materials as per E2/AS1 4.3 + Figure 9 & Table 7</p> <p>(TF) TIMBER FRAME: H1.2 min treated timber framing</p> <p>(WB) WEATHER BOARD: Southern Pine Bevel Back Weatherboard. Profile to NZS 3617</p> |
|---|--|---|

NOTE : Where 75x3.15 jolt head nails are referenced, these may be substituted for 75mm jolt head weatherboard screws



STAGE THREE



DETAILS MAY BE SUBJECT TO CHANGE WITHOUT NOTICE

- DENDRO® is Southern Pine's premium product range of H3.2 treated, solid, clear weatherboards. Manufactured from, high quality, pruned NZ Radiata Pine. Product warranty, 25 years if used in accordance with the Installation & Maintenance Guide.
- All Southern Pine Weatherboard profiles have been machined to be compliant with NZS 3617 and BRANZ BU411
- The Southern Pine Weatherboard System, if designed and installed as per the Installation & Maintenance Guide, will meet

- the following provisions of the New Zealand Building Code (NZBC):
- Clause B1 Structure: Performance B1.3.1, B1.3.2, B1.3.4 (a), (b), (c), (d) and (e) for the
 - Clause B2 Durability: Performance B2.3.1(b) and B2.3.2(b)
 - Clause E2 External Moisture: Performance E2.3.2, E2.3.3, E2.3.5, E2.3.7(b) and (c)
 - Clause F2 Hazardous Building Materials: Performance F2.3.1

- This Weatherboard System must be installed by a qualified trade person. Restricted Building Work (RBW) requires a Licensed Building Practitioner (LBP) or supervised by an LBP. It is the specifier's responsibility to ensure that the details are appropriate for the intended application and that additional detailing is obtained for a specific design or any areas that fall outside the scope of the Southern Pine Products & E2/AS1 Acceptable solution.



TYPE Southern Pine Products - H3.2 Treatment
 Bevel Back WB - Cavity Fix
 NAME

DECK TO ROOF MEMBRANE -
 SADDLE FLASHING - STAGE THREE

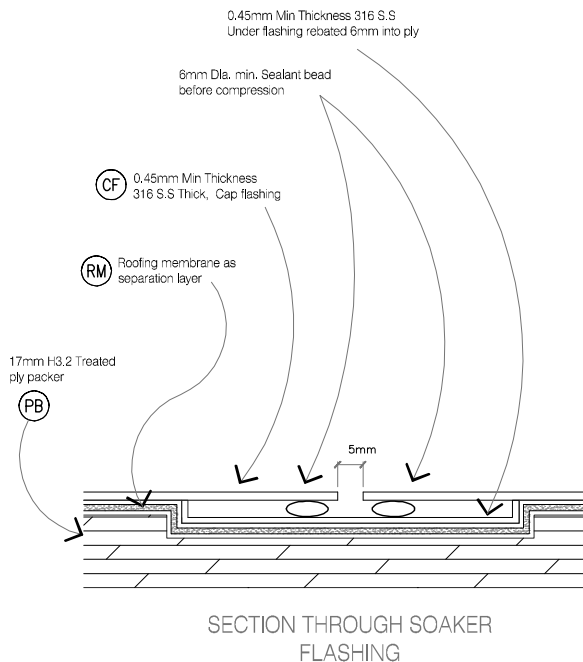
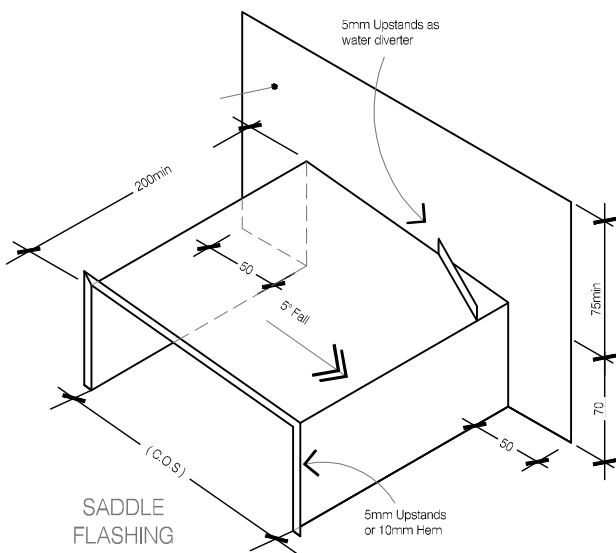
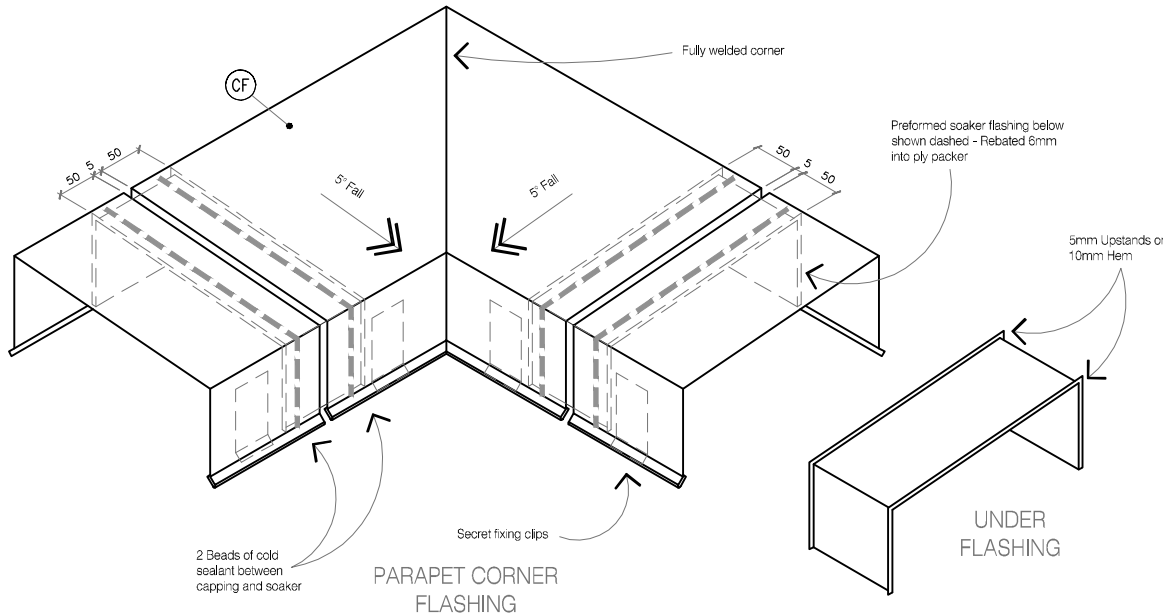


DRAWING SCALE 1:5 @ A4	ISSUE DATE NOV 2023
DRAWING No SPP CF20 BB73	REVISION

LEGEND :

- | | | |
|--|--|---|
| <p>(PSP) PARAPET SADDLE FLASHING: Materials as per E2/AS1 4.0, refer E2/AS1 Figure 11 & 12 . Typically 0.45mm Min 316 Stainless Steel. Refer Table 20 & Table 21 for Comparability of Materials in Contact</p> <p>(BW) BUILDING WRAP: Flexible Wall Underlay, As per NZBC E2/AS1 - Table 23, In extra high wind zones, Rigid Underlay required (9.1.7.2 E2/AS1)</p> <p>(FT) FLASHING TAPE: As per E2/AS1 4.3.11</p> <p>(CC) CAVITY CLOSURE: Cavity closure strip, positioned to give a 15mm Min drip edge to cladding</p> <p>(IL) INTERNAL LINING: Selected Internal Lining</p> | <p>(CB2) CAVITY BATTEN, VERTICAL: 20mm x 45mm H3.1. To form a 20mm cavity.</p> <p>(CB3) CAVITY BATTEN, VERTICAL - STRUCTURALLY FIXED : 45mm x 45mm SPP Radiata Pine, H3.2 70mm x 45mm SPP Radiata Pine, H3.2 To form a 45mm cavity</p> <p>(RM) ROOFING MEMBRANE: Selected System on 17mm CCA treated H3.2 grade plywood glued and screwed to Rafter. Roof Membrane requires 400mm solid block support each way & solid support to all sheet edges</p> | <p>(IN) INSULATION: Selected Insulation</p> <p>(RF) ROOF FLASHING: Materials as per E2/AS1 4.3</p> <p>(PB) PLYWOOD BACKING: 17mm CCA treated H3.2 grade plywood substrate</p> <p>(CF) CAP FLASHING: Continuous parapet flashing. Materials as per E2/AS1 4.3 + Figure 9 & Table 7</p> <p>(TF) TIMBER FRAME: H1.2 min treated timber framing</p> <p>(WB) WEATHER BOARD: Southern Pine Bevel Back Weatherboard. Profile to NZS 3617</p> |
|--|--|---|

NOTE : Where 75x3.15 jolt head nails are referenced, these may be substituted for 75mm jolt head weatherboard screws



DETAILS MAY BE SUBJECT TO CHANGE WITHOUT NOTICE

- DENDRO® is Southern Pine's premium product range of H3.2 treated, solid, clear weatherboards. Manufactured from high quality, pruned NZ Radiata Pine. Product warranty, 25 years if used in accordance with the Installation & Maintenance Guide.
- All Southern Pine Weatherboard profiles have been machined to be compliant with NZS 3617 and BRANZ BU411
- The Southern Pine Weatherboard System, if designed and installed as per the Installation & Maintenance Guide, will meet

the following provisions of the New Zealand Building Code (NZBC):

- Clause B1 Structure: Performance B1.3.1, B1.3.2, B1.3.4 (a), (b), (c), (d) and (e) for the
- Clause B2 Durability: Performance B2.3.1(b) and B2.3.2(b)
- Clause E2 External Moisture: Performance E2.3.2, E2.3.3, E2.3.5, E2.3.7(b) and (c)
- Clause F2 Hazardous Building Materials: Performance F2.3.1

- This Weatherboard System must be installed by a qualified trade person. Restricted Building Work (RBW) requires a Licensed Building Practitioner (LBP) or supervised by an LBP. It is the specifier's responsibility to ensure that the details are appropriate for the intended application and that additional detailing is obtained for a specific design or any areas that fall outside the scope of the Southern Pine Products & E2/AS1 Acceptable solution.



TYPE Southern Pine Products - H3.2 Treatment
 Bevel Back WB - Cavity Fix

NAME

TYPICAL PARAPET CAPPING JOINT
 DETAILS



DRAWING SCALE
 1:5 @ A4

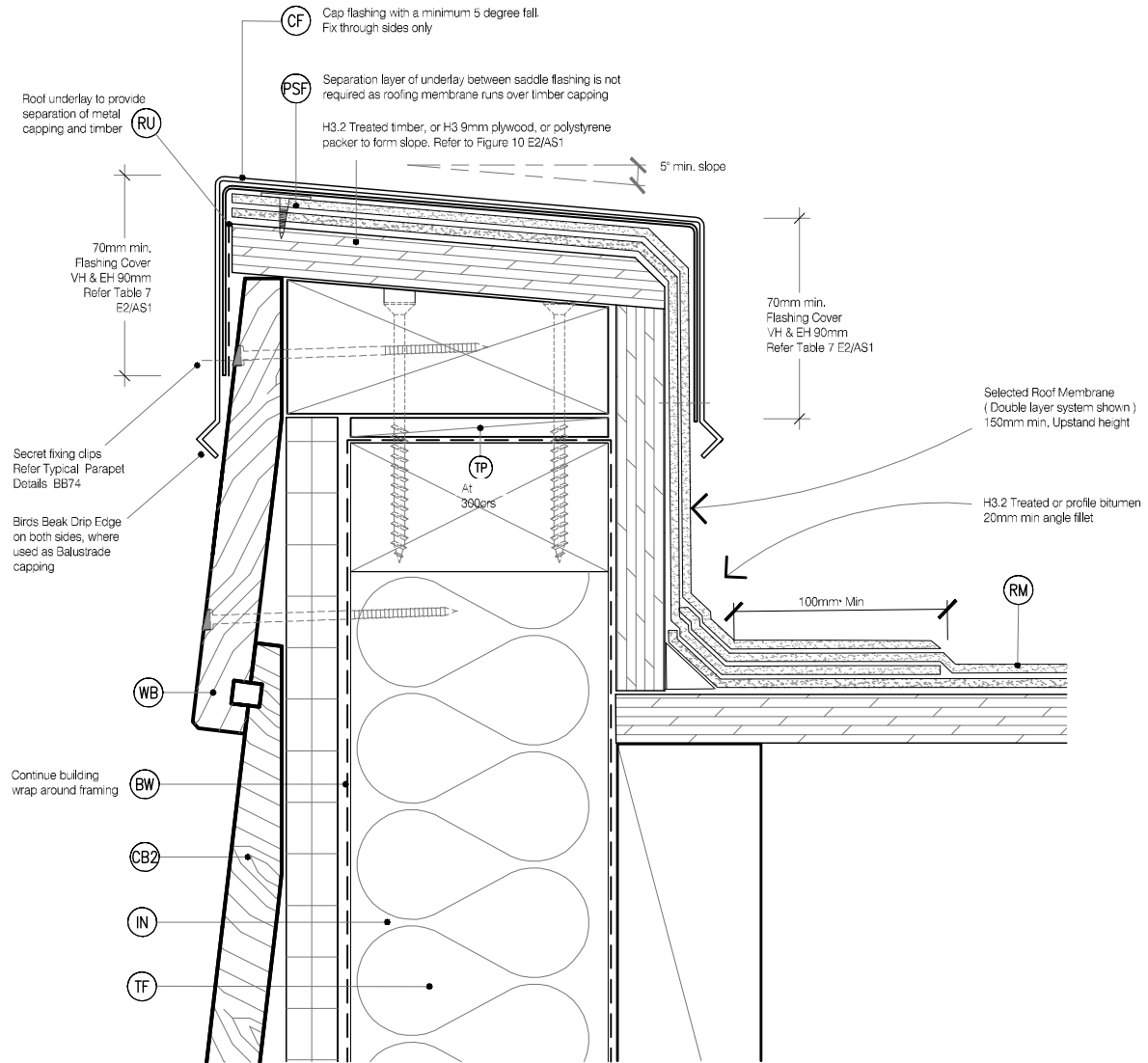
ISSUE DATE
 NOV 2023

DRAWING No SPP CF20 BB74
 REVISION

LEGEND :

- | | | |
|--|--|---|
| <p>(PSP) PARAPET SADDLE FLASHING: Materials as per E2/AS1 4.0, refer E2/AS1 Figure 11 & 12 . Typically 0.45mm Min 316 Stainless Steel. Refer Table 20 & Table 21 for Comparability of Materials in Contact</p> <p>(BW) BUILDING WRAP: Flexible Wall Underlay, As per NZBC E2/AS1 - Table 23, In extra high wind zones, Rigid Underlay required (9.1.7.2 E2/AS1)</p> <p>(FT) FLASHING TAPE: As per E2/AS1 4.3.11</p> <p>(CC) CAVITY CLOSURE: Cavity closure strip, positioned to give a 15mm Min drip edge to cladding</p> <p>(IL) INTERNAL LINING: Selected Internal Lining</p> | <p>(CB2) CAVITY BATTEN, VERTICAL: 20mm x 45mm H3.1. To form a 20mm cavity.</p> <p>(CB3) CAVITY BATTEN, VERTICAL - STRUCTURALLY FIXED : 45mm x 45mm SPP Radiata Pine, H3.2 70mm x 45mm SPP Radiata Pine, H3.2 To form a 45mm cavity</p> <p>(RM) ROOFING MEMBRANE: Selected System on 17mm CCA treated H3.2 grade plywood glued and screwed to Rafter. Roof Membrane requires 400mm solid block support each way & solid support to all sheet edges</p> | <p>(IN) INSULATION: Selected Insulation</p> <p>(RF) ROOF FLASHING: Materials as per E2/AS1 4.3</p> <p>(PB) PLYWOOD BACKING: 17mm CCA treated H3.2 grade plywood substrate</p> <p>(CF) CAP FLASHING: Continuous parapet flashing. Materials as per E2/AS1 4.3 + Figure 9 & Table 7</p> <p>(TF) TIMBER FRAME: H1.2 min treated timber framing</p> <p>(WB) WEATHER BOARD: Southern Pine Bevel Back Weatherboard. Profile to NZS 3617</p> |
|--|--|---|

NOTE : Where 75x3.15 jolt head nails are referenced, these may be substituted for 75mm jolt head weatherboard screws



DETAILS MAY BE SUBJECT TO CHANGE WITHOUT NOTICE

- DENDRO is Southern Pine's premium product range of H3.2 treated, solid, clear weatherboards. Manufactured from, high quality, pruned NZ Radiata Pine. Product warranty, 25 years if used in accordance with the Installation & Maintenance Guide.
- All Southern Pine Weatherboard profiles have been machined to be compliant with NZS 3617 and BRANZ BU411
- The Southern Pine Weatherboard System, if designed and installed as per the Installation & Maintenance Guide, will meet

the following provisions of the New Zealand Building Code (NZBC):

- Clause B1 Structure: Performance B1.3.1, B1.3.2, B1.3.4 (a), (b), (c), (d) and (e) for the
- Clause B2 Durability: Performance B2.3.1(b) and B2.3.2(b)
- Clause E2 External Moisture: Performance E2.3.2, E2.3.3, E2.3.5, E2.3.7(b) and (c)
- Clause F2 Hazardous Building Materials: Performance F2.3.1

- This Weatherboard System must be installed by a qualified trade person. Restricted Building Work (RBW) requires a Licensed Building Practitioner (LBP) or supervised by an LBP. It is the specifier's responsibility to ensure that the details are appropriate for the intended application and that additional detailing is obtained for a specific design or any areas that fall outside the scope of the Southern Pine Products & E2/AS1 Acceptable solution.



TYPE Southern Pine Products - H3.2 Treatment
 Bevel Back WB - Cavity Fix
 NAME PARAPET SECTION TO MEMBRANE ROOF



DRAWING SCALE
 1:2.5 @ A4

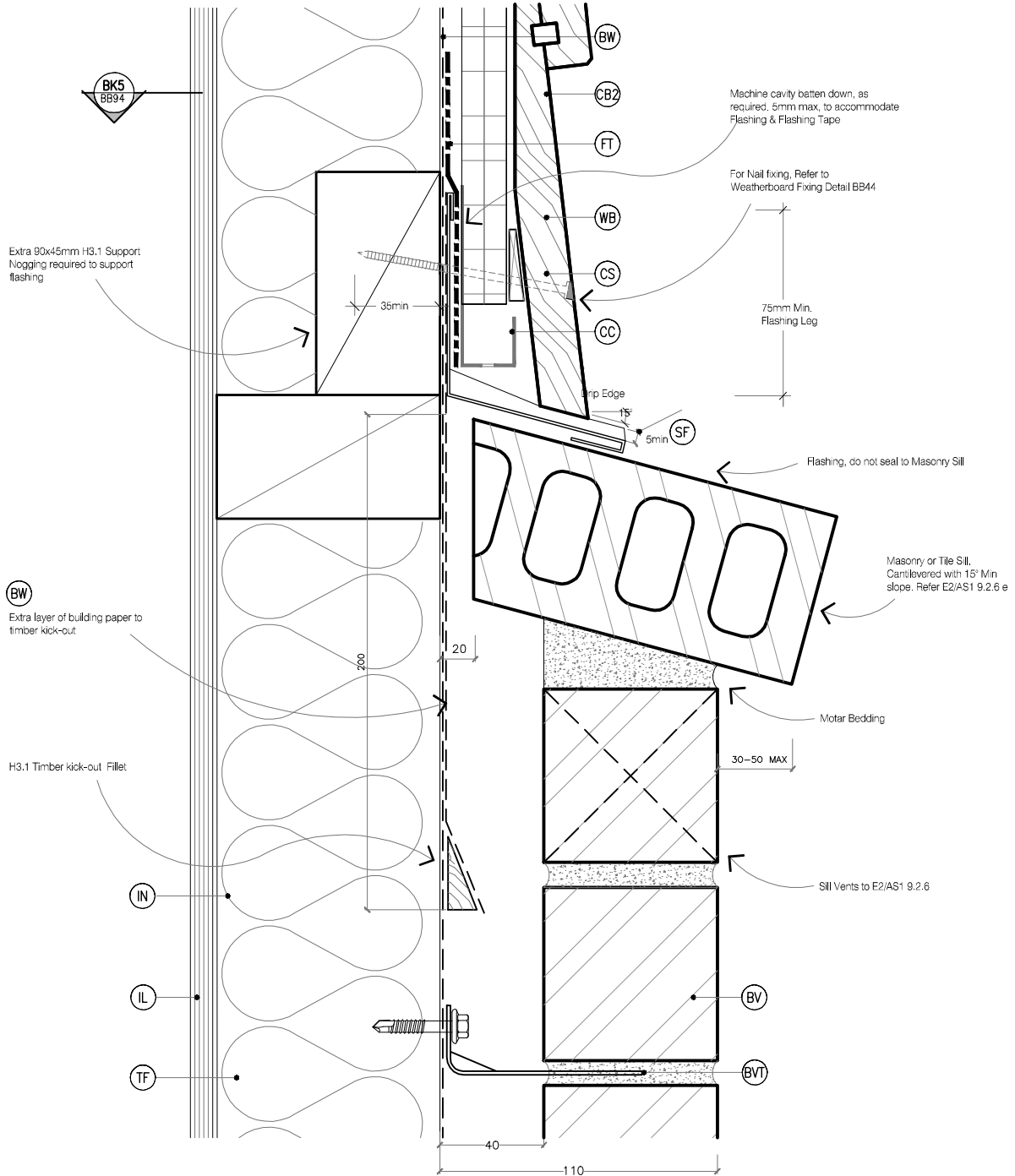
ISSUE DATE
 NOV 2023

DRAWING No SPP CF20 BB75
 REVISION

LEGEND :

- | | | |
|---|--|--|
| <p>(SF) SILL FLASHING: Continuous flashing on 15° min slope with turn back ends at end of walls. Materials as per E2/AS1 4.0 Typically 0.45mm Min 316 Stainless Steel.</p> <p>(BW) BUILDING WRAP: Flexible Wall Underlay, As per NZBC E2/AS1 - Table 23. In extra high wind zones, Rigid Underlay required (9.1.7.2 E2/AS1)</p> <p>(BV) BRICK VENEER: Selected brick veneer. Typically 70 series clay brick veneer on 40mm cavity</p> <p>(FT) FLASHING TAPE: As per E2/AS1 4.3.11</p> <p>(BVT) BRICK VENEER TIES: Stainless Steel brick Veneer ties screw fixed to framing - spacing NZS4210, ties to be within 300mm of internal or external corner</p> | <p>(CB2) CAVITY BATTEN, VERTICAL: 20mm x 45mm H3.1. To form a 20mm cavity.</p> <p>(CB3) CAVITY BATTEN, VERTICAL - STRUCTURALLY FIXED: 45mm x 45mm SPP Radiata Pine, H3.2 70mm x 45mm SPP Radiata Pine, H3.2 To form a 45mm cavity</p> <p>(CC) CAVITY CLOSURE: Cavity closure strip, positioned to give a 15mm Min drip edge to cladding</p> <p>(CF) CORNER FLASHING: 316 Stainless Steel corner flashing. Refer NZBC E2/AS1 4.3. 75x75 Hem or Hook to Flashing Edges. EXTRA HIGH WIND ZONE 100x100 Hem or Hook to Flashing Edges</p> | <p>(IL) INTERNAL LINING: Selected Internal Lining</p> <p>(IN) INSULATION: Selected Insulation</p> <p>(TF) TIMBER FRAME: H1.2 min treated timber framing</p> <p>(WB) WEATHER BOARD: Southern Pine Bevel Back Weatherboard. Profile to NZS 3617</p> <p>(FF) FLAT FLASHING: 316 Stainless Steel 100mm Hem or Hook to Flashing Edges. EXTRA HIGH WIND ZONE 150mm Hem or Hook to Flashing Edges</p> <p>(CS) CANT STRIP: Southern Pine H3.1 Cant Strip 25mm x 9 mm</p> |
|---|--|--|

NOTE : Where 75x3.15 jolt head nails are referenced, these may be substituted for 75mm jolt head weatherboard screws



- DENDRO is Southern Pine's premium product range of H3.2 treated, solid, clear weatherboards. Manufactured from high quality, pruned NZ Radiata Pine. Product warranty, 25 years if used in accordance with the Installation & Maintenance Guide.
- All Southern Pine Weatherboard profiles have been machined to be compliant with NZS 3617 and BRANZ BU411
- The Southern Pine Weatherboard System, if designed and installed as per the Installation & Maintenance Guide, will meet

- the following provisions of the New Zealand Building Code (NZBC):
- Clause B1 Structure: Performance B1.3.1, B1.3.2, B1.3.4 (a), (b), (c), (d) and (e) for the
 - Clause B2 Durability: Performance B2.3.1(b) and B2.3.2(b)
 - Clause E2 External Moisture: Performance E2.3.2, E2.3.3, E2.3.5, E2.3.7(b) and (c)
 - Clause F2 Hazardous Building Materials: Performance F2.3.1

- This Weatherboard System must be installed by a qualified trade person. Restricted Building Work (RBW) requires a Licensed Building Practitioner (LBP) or supervised by an LBP. It is the specifier's responsibility to ensure that the details are appropriate for the intended application and that additional detailing is obtained for a specific design or any areas that fall outside the scope of the Southern Pine Products & E2/AS1 Acceptable solution.

DETAILS MAY BE SUBJECT TO CHANGE WITHOUT NOTICE



TYPE Southern Pine Products - H3.2 Treatment
 Bevel Back WB - Cavity Fix
 NAME HALF WALL - SILL WEATHERBOARD TO BRICK

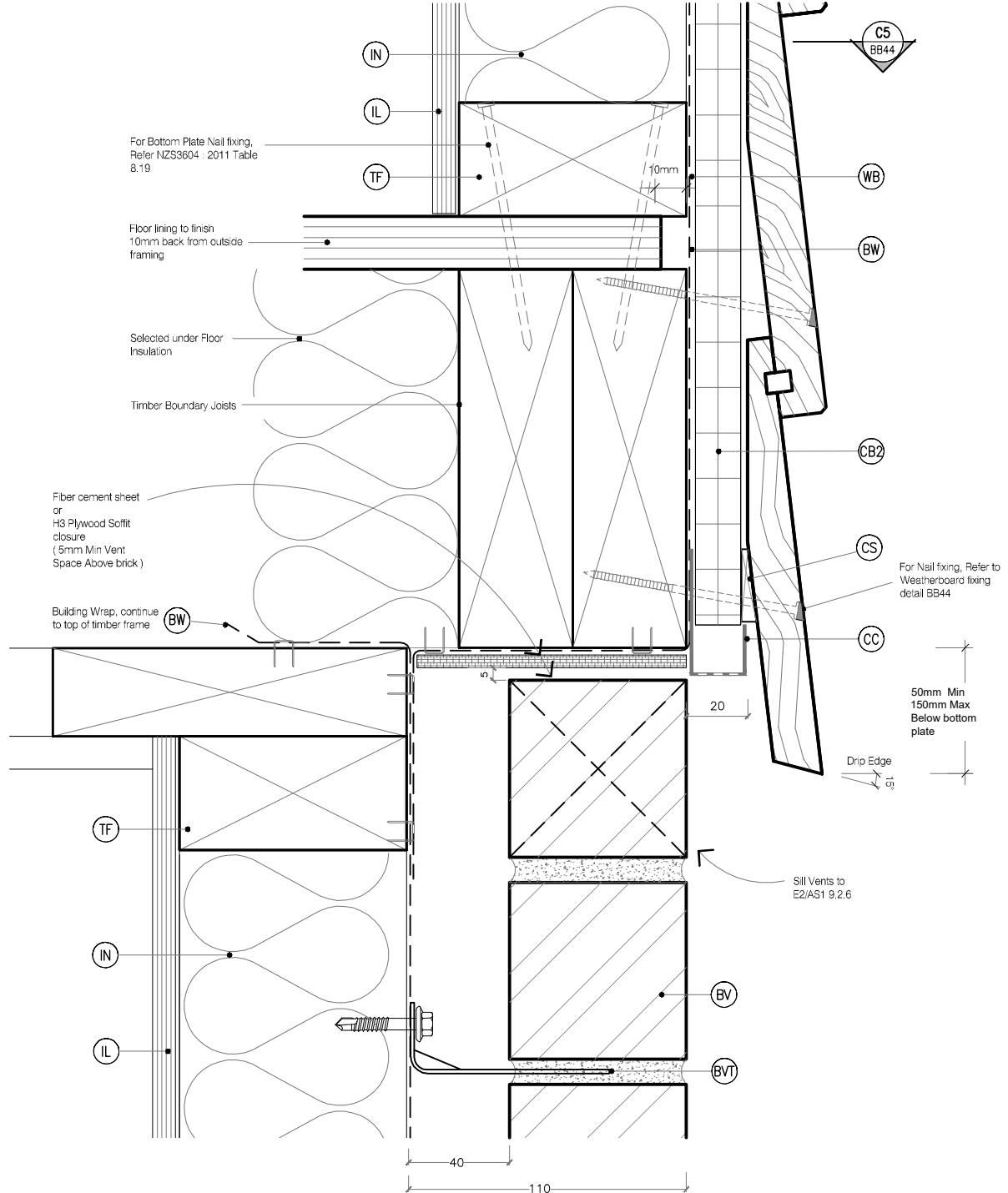


DRAWING SCALE 1:2.5 @ A4	ISSUE DATE NOV 2023
DRAWING No SPP CF20 BB90	REVISION

LEGEND :

- | | | |
|---|--|--|
| <p>(SF) SILL FLASHING: Continuous flashing on 15° min slope with turn back ends at end of walls. Materials as per E2/AS1 4.0 Typically 0.45mm Min 316 Stainless Steel.</p> <p>(BW) BUILDING WRAP: Flexible Wall Underlay, As per NZBC E2/AS1 - Table 23, In extra high wind zones, Rigid Underlay required (9.1.7.2 E2/AS1)</p> <p>(BV) BRICK VENEER: Selected brick veneer. Typically 70 series clay brick veneer on 40mm cavity</p> <p>(FT) FLASHING TAPE: As per E2/AS1 4.3.11</p> <p>(BVT) BRICK VENEER TIES: Stainless Steel brick Veneer ties screw fixed to framing - spacing NZS4210, ties to be within 300mm of internal or external corner</p> | <p>(CB2) CAVITY BATTEN, VERTICAL: 20mm x 45mm H3.1. To form a 20mm cavity.</p> <p>(CB3) CAVITY BATTEN, VERTICAL - STRUCTURALLY FIXED: 45mm x 45mm SPP Radiata Pine, H3.2 70mm x 45mm SPP Radiata Pine, H3.2 To form a 45mm cavity</p> <p>(CC) CAVITY CLOSURE: Cavity closure strip, positioned to give a 15mm Min drip edge to cladding</p> <p>(CF) CORNER FLASHING: 316 Stainless Steel corner flashing. Refer NZBC E2/AS1 4.3. 75x75 Hem or Hook to Flashing Edges. EXTRA HIGH WIND ZONE 100x100 Hem or Hook to Flashing Edges</p> | <p>(IL) INTERNAL LINING: Selected Internal Lining</p> <p>(IN) INSULATION: Selected Insulation</p> <p>(TF) TIMBER FRAME: H1.2 min treated timber framing</p> <p>(WB) WEATHER BOARD: Southern Pine Bevel Back Weatherboard. Profile to NZS 3617</p> <p>(FF) FLAT FLASHING: 316 Stainless Steel 100mm Hem or Hook to Flashing Edges. EXTRA HIGH WIND ZONE 150mm Hem or Hook to Flashing Edges</p> <p>(CS) CANT STRIP: Southern Pine H3.1 Cant Strip 25mm x 9 mm</p> |
|---|--|--|

NOTE : Where 75x3.15 jolt head nails are referenced, these may be substituted for 75mm jolt head weatherboard screws



DETAILS MAY BE SUBJECT TO CHANGE WITHOUT NOTICE

- DENDRO® is Southern Pine's premium product range of H3.2 treated, solid, clear weatherboards. Manufactured from high quality, pruned NZ Radiata Pine. Product warranty, 25 years if used in accordance with the Installation & Maintenance Guide.
- All Southern Pine Weatherboard profiles have been machined to be compliant with NZS 3617 and BRANZ BU411
- The Southern Pine Weatherboard System, if designed and installed as per the Installation & Maintenance Guide, will meet

the following provisions of the New Zealand Building Code (NZBC):

- Clause B1 Structure: Performance B1.3.1, B1.3.2, B1.3.4 (a), (b), (c), (e) and (e) for the
- Clause B2 Durability: Performance B2.3.1(b) and B2.3.2(b)
- Clause E2 External Moisture: Performance E2.3.2, E2.3.3, E2.3.5, E2.3.7(b) and (c)
- Clause F2 Hazardous Building Materials: Performance F2.3.1

- This Weatherboard System must be installed by a qualified trade person. Restricted Building Work (RBW) requires a Licensed Building Practitioner (LBP) or supervised by an LBP. It is the specifier's responsibility to ensure that the details are appropriate for the intended application and that additional detailing is obtained for a specific design or any areas that fall outside the scope of the Southern Pine Products & E2/AS1 Acceptable solution.



TYPE Southern Pine Products - H3.2 Treatment
 Bevel Back WB - Cavity Fix
 NAME CANTILEVER FLOOR - BRICK TO WEATHERBOARD



DRAWING SCALE
 1:2.5 @ A4

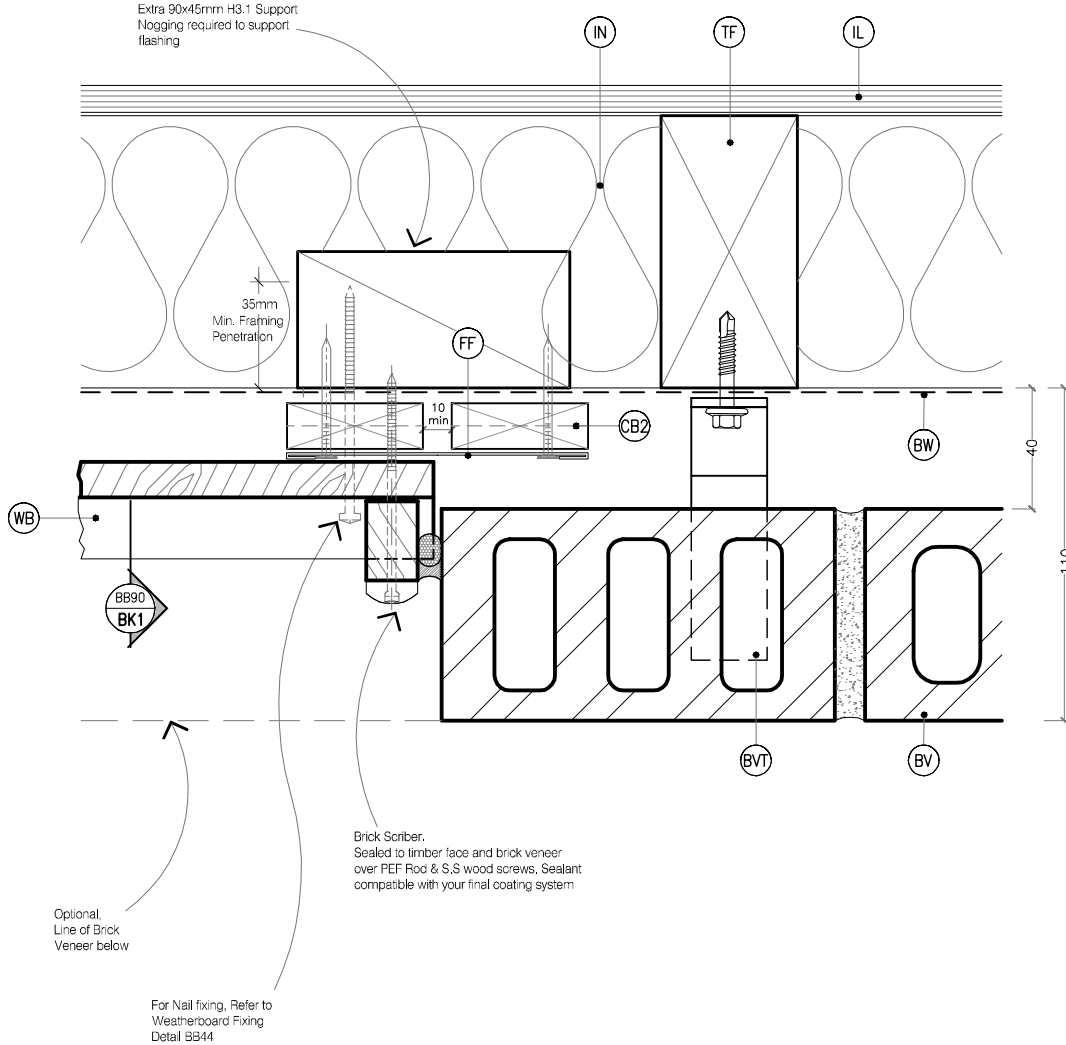
ISSUE DATE
 NOV 2023

DRAWING No SPP CF20 BB91
 REVISION

LEGEND :

- | | | |
|---|--|--|
| <p>(SF) SILL FLASHING: Continuous flashing on 15° min slope with turn back ends at end of walls. Materials as per E2/AS1 4.0 Typically 0.45mm Min 316 Stainless Steel.</p> <p>(BW) BUILDING WRAP: Flexible Wall Underlay, As per NZBC E2/AS1 - Table 23, In extra high wind zones, Rigid Underlay required (9.1.7.2 E2/AS1)</p> <p>(BV) BRICK VENEER: Selected brick veneer. Typically 70 series clay brick veneer on 40mm cavity</p> <p>(FT) FLASHING TAPE: As per E2/AS1 4.3.11</p> <p>(BVT) BRICK VENEER TIES: Stainless Steel brick Veneer ties screw fixed to framing - spacing NZS4210, ties to be within 300mm of internal or external corner</p> | <p>(CB2) CAVITY BATTEN, VERTICAL: 20mm x 45mm H3.1. To form a 20mm cavity.</p> <p>(CB3) CAVITY BATTEN, VERTICAL - STRUCTURALLY FIXED: 45mm x 45mm SPP Radiata Pine, H3.2 70mm x 45mm SPP Radiata Pine, H3.2 To form a 45mm cavity</p> <p>(CC) CAVITY CLOSURE: Cavity closure strip, positioned to give a 15mm Min drip edge to cladding</p> <p>(CF) CORNER FLASHING: 316 Stainless Steel corner flashing. Refer NZBC E2/AS1 4.3. 75x75 Hem or Hook to Flashing Edges. EXTRA HIGH WIND ZONE 100x100 Hem or Hook to Flashing Edges</p> | <p>(IL) INTERNAL LINING: Selected Internal Lining</p> <p>(IN) INSULATION: Selected Insulation</p> <p>(TF) TIMBER FRAME: H1.2 min treated timber framing</p> <p>(WB) WEATHER BOARD: Southern Pine Bevel Back Weatherboard. Profile to NZS 3617</p> <p>(FF) FLAT FLASHING: 316 Stainless Steel 100mm Hem or Hook to Flashing Edges. EXTRA HIGH WIND ZONE 150mm Hem or Hook to Flashing Edges</p> <p>(CS) CANT STRIP: Southern Pine H3.1 Cant Strip 25mm x 9 mm</p> |
|---|--|--|

NOTE : Where 75x3.15 jolt head nails are referenced, these may be substituted for 75mm jolt head weatherboard screws



DETAILS MAY BE SUBJECT TO CHANGE WITHOUT NOTICE

- DENDRO is Southern Pine's premium product range of H3.2 treated, solid, clear weatherboards. Manufactured from high quality, pruned NZ Radiata Pine. Product warranty, 25 years if used in accordance with the Installation & Maintenance Guide.
- All Southern Pine Weatherboard profiles have been machined to be compliant with NZS 3617 and BRANZ BU411
- The Southern Pine Weatherboard System, if designed and installed as per the Installation & Maintenance Guide, will meet

the following provisions of the New Zealand Building Code (NZBC):

- Clause B1 Structure: Performance B1.3.1, B1.3.2, B1.3.4 (a), (b), (c), (d) and (e) for the
- Clause B2 Durability: Performance B2.3.1(b) and B2.3.2(b)
- Clause E2 External Moisture: Performance E2.3.2, E2.3.3, E2.3.5, E2.3.7(b) and (c)
- Clause F2 Hazardous Building Materials: Performance F2.3.1

- This Weatherboard System must be installed by a qualified trade person. Restricted Building Work (RBW) requires a Licensed Building Practitioner (LBP) or supervised by an LBP. It is the specifier's responsibility to ensure that the details are appropriate for the intended application and that additional detailing is obtained for a specific design or any areas that fall outside the scope of the Southern Pine Products & E2/AS1 Acceptable solution.



TYPE Southern Pine Products - H3.2 Treatment
 Bevel Back WB - Cavity Fix
 NAME IN-LINE JUNCTION - WEATHERBOARD TO BRICK



DRAWING SCALE
 1:2.5 @ A4

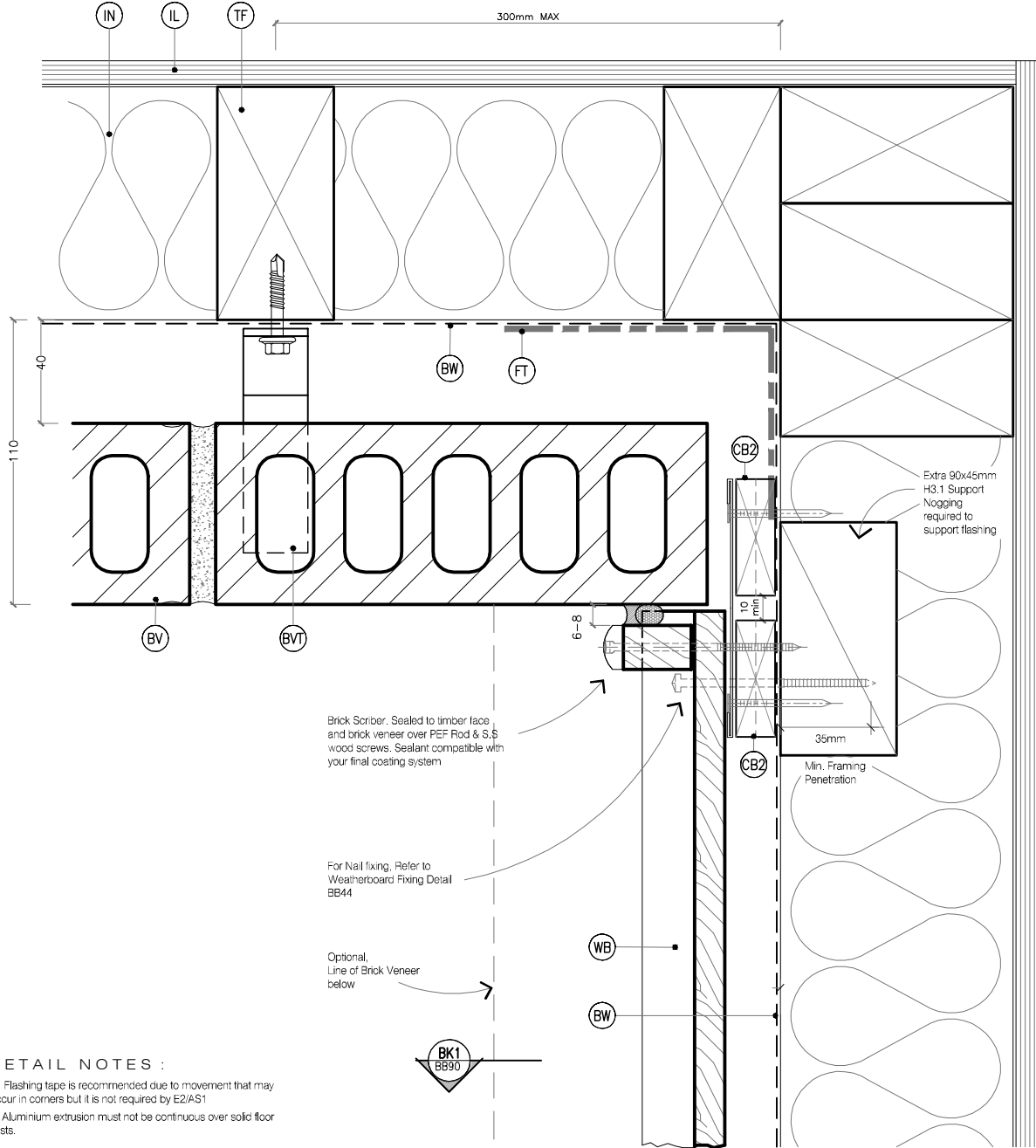
ISSUE DATE
 NOV 2023

DRAWING No SPP CF20 BB92
 REVISION

LEGEND :

- | | | |
|---|--|--|
| <p>(SF) SILL FLASHING: Continuous flashing on 15° min slope with turn back ends at end of walls. Materials as per E2/AS1 4.0 Typically 0.45mm Min 316 Stainless Steel.</p> <p>(BW) BUILDING WRAP: Flexible Wall Underlay, As per NZBC E2/AS1 - Table 23. In extra high wind zones, Rigid Underlay required (9.1.7.2 E2/AS1)</p> <p>(BV) BRICK VENEER: Selected brick veneer. Typically 70 series clay brick veneer on 40mm cavity</p> <p>(FT) FLASHING TAPE: As per E2/AS1 4.3.11</p> <p>(BVT) BRICK VENEER TIES: Stainless Steel brick Veneer ties screw fixed to framing - spacing NZS4210, ties to be within 300mm of internal or external corner</p> | <p>(CB2) CAVITY BATTEN, VERTICAL: 20mm x 45mm H3.1. To form a 20mm cavity.</p> <p>(CB3) CAVITY BATTEN, VERTICAL - STRUCTURALLY FIXED: 45mm x 45mm SPP Radiata Pine, H3.2 70mm x 45mm SPP Radiata Pine, H3.2 To form a 45mm cavity</p> <p>(CC) CAVITY CLOSURE: Cavity closure strip, positioned to give a 15mm Min drip edge to cladding</p> <p>(CF) CORNER FLASHING: 316 Stainless Steel corner flashing. Refer NZBC E2/AS1 4.3. 75x75 Hem or Hook to Flashing Edges. EXTRA HIGH WIND ZONE 100x100 Hem or Hook to Flashing Edges</p> | <p>(IL) INTERNAL LINING: Selected Internal Lining</p> <p>(IN) INSULATION: Selected Insulation</p> <p>(TF) TIMBER FRAME: H1.2 min treated timber framing</p> <p>(WB) WEATHER BOARD: Southern Pine Bevel Back Weatherboard. Profile to NZS 3617</p> <p>(FF) FLAT FLASHING: 316 Stainless Steel 100mm Hem or Hook to Flashing Edges. EXTRA HIGH WIND ZONE 150mm Hem or Hook to Flashing Edges</p> <p>(CS) CANT STRIP: Southern Pine H3.1 Cant Strip 25mm x 9 mm</p> |
|---|--|--|

NOTE : Where 75x3.15 jolt head nails are referenced, these may be substituted for 75mm jolt head weatherboard screws



DETAIL NOTES :

1. Flashing tape is recommended due to movement that may occur in corners but it is not required by E2/AS1
2. Aluminium extrusion must not be continuous over solid floor joists.



DETAILS MAY BE SUBJECT TO CHANGE WITHOUT NOTICE

1. DENDRO® is Southern Pine's premium product range of H3.2 treated, solid, clear weatherboards. Manufactured from, high quality, pruned NZ Radiata Pine. Product warranty, 25 years if used in accordance with the Installation & Maintenance Guide.
2. All Southern Pine Weatherboard profiles have been machined to be compliant with NZS 3617 and BRANZ BU411
3. The Southern Pine Weatherboard System, if designed and installed as per the Installation & Maintenance Guide, will meet

- the following provisions of the New Zealand Building Code (NZBC):
- Clause B1 Structure: Performance B1.3.1, B1.3.2, B1.3.4 (a), (b), (c), (d) and (e) for the
 - Clause B2 Durability: Performance B2.3.1(b) and B2.3.2(b)
 - Clause E2 External Moisture: Performance E2.3.2, E2.3.3, E2.3.5, E2.3.7(b) and (c)
 - Clause F2 Hazardous Building Materials: Performance F2.3.1

4. This Weatherboard System must be installed by a qualified trade person. Restricted Building Work (RBW) requires a Licensed Building Practitioner (LBP) or supervised by an LBP. It is the specifier's responsibility to ensure that the details are appropriate for the intended application and that additional detailing is obtained for a specific design or any areas that fall outside the scope of the Southern Pine Products & E2/AS1 Acceptable solution.



TYPE Southern Pine Products - H3.2 Treatment
 Bevel Back WB - Cavity Fix
 NAME INTERNAL CORNER - WEATHERBOARD TO BRICK

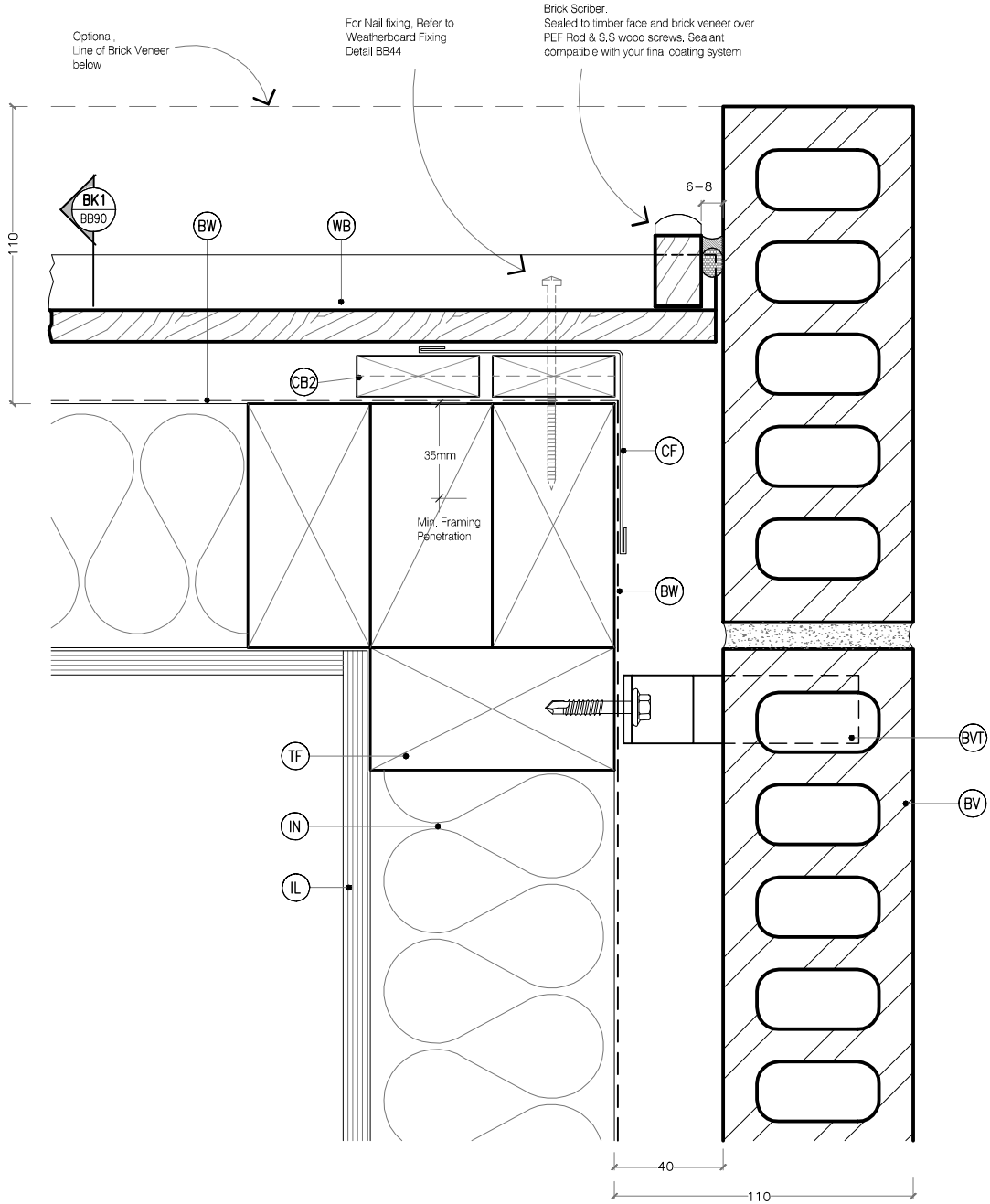


DRAWING SCALE 1:2.5 @ A4	ISSUE DATE NOV 2023
DRAWING No SPP CF20 BB93	REVISION

LEGEND :

- | | | |
|---|---|--|
| <p>(SF) SILL FLASHING: Continuous flashing on 15° min slope with turn back ends at end of walls. Materials as per E2/AS1 4.0 Typically 0.45mm Min 316 Stainless Steel.</p> <p>(BW) BUILDING WRAP: Flexible Wall Underlay, As per NZBC E2/AS1 - Table 23. In extra high wind zones, Rigid Underlay required (9.1.7.2 E2/AS1)</p> <p>(BV) BRICK VENEER: Selected brick veneer. Typically 70 series clay brick veneer on 40mm cavity</p> <p>(FT) FLASHING TAPE: As per E2/AS1 4.3.11</p> <p>(BVT) BRICK VENEER TIES: Stainless Steel brick Veneer ties screw fixed to framing - spacing NZS4210, ties to be within 300mm of internal or external corner</p> | <p>(CB2) CAVITY BATTEN, VERTICAL: 20mm x 45mm H3.1. To form a 20mm cavity.</p> <p>(CB3) CAVITY BATTEN, VERTICAL - STRUCTURALLY FIXED : 45mm x 45mm SPP Radiata Pine, H3.2 70mm x 45mm SPP Radiata Pine, H3.2 To form a 45mm cavity</p> <p>(CC) CAVITY CLOSURE: Cavity closure strip, positioned to give a 15mm Min drip edge to cladding</p> <p>(CF) CORNER FLASHING: 316 Stainless Steel corner flashing. Refer NZBC E2/AS1 4.3. 75x75 Hem or Hook to Flashing Edges. EXTRA HIGH WIND ZONE 100x100 Hem or Hook to Flashing Edges</p> | <p>(IL) INTERNAL LINING: Selected Internal Lining</p> <p>(IN) INSULATION: Selected Insulation</p> <p>(TF) TIMBER FRAME: H1.2 min treated timber framing</p> <p>(WB) WEATHER BOARD: Southern Pine Bevel Back Weatherboard. Profile to NZS 3617</p> <p>(FF) FLAT FLASHING: 316 Stainless Steel 100mm Hem or Hook to Flashing Edges. EXTRA HIGH WIND ZONE 150mm Hem or Hook to Flashing Edges</p> <p>(CS) CANT STRIP: Southern Pine H3.1 Cant Strip 25mm x 9 mm</p> |
|---|---|--|

NOTE : Where 75x3.15 jolt head nails are referenced, these may be substituted for 75mm jolt head weatherboard screws



- DENDRO® is Southern Pine's premium product range of H3.2 treated, solid, clear weatherboards. Manufactured from, high quality, pruned NZ Radiata Pine. Product warranty, 25 years if used in accordance with the Installation & Maintenance Guide.
- All Southern Pine Weatherboard profiles have been machined to be compliant with NZS 3617 and BRANZ BU411
- The Southern Pine Weatherboard System, if designed and installed as per the Installation & Maintenance Guide, will meet

- the following provisions of the New Zealand Building Code (NZBC):
- Clause B1 Structure: Performance B1.3.1, B1.3.2, B1.3.4 (a), (b), (c), (d) and (e) for the
 - Clause B2 Durability: Performance B2.3.1 (b) and B2.3.2 (b)
 - Clause E2 External Moisture: Performance E2.3.2, E2.3.3, E2.3.5, E2.3.7 (b) and (c)
 - Clause F2 Hazardous Building Materials: Performance F2.3.1

- This Weatherboard System must be installed by a qualified trade person. Restricted Building Work (RBW) requires a Licensed Building Practitioner (LBP) or supervised by an LBP. It is the specifier's responsibility to ensure that the details are appropriate for the intended application and that additional detailing is obtained for a specific design or any areas that fall outside the scope of the Southern Pine Products & E2/AS1 Acceptable solution.

DETAILS MAY BE SUBJECT TO CHANGE WITHOUT NOTICE



TYPE Southern Pine Products - H3.2 Treatment
 Bevel Back WB - Cavity Fix

NAME

EXTERIOR JUNCTION -
 WEATHERBOARD TO BRICK



DRAWING SCALE
 1:2.5 @ A4

ISSUE DATE
 NOV 2023

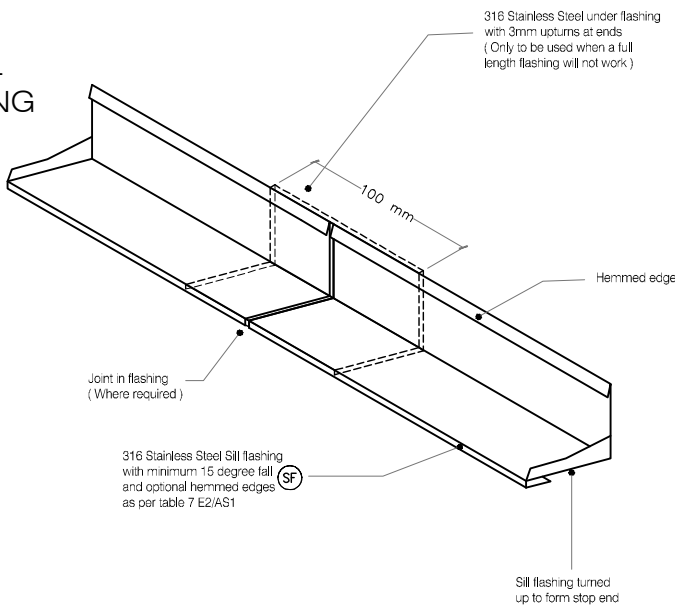
DRAWING No SPP CF20 BB94 REVISION

LEGEND :

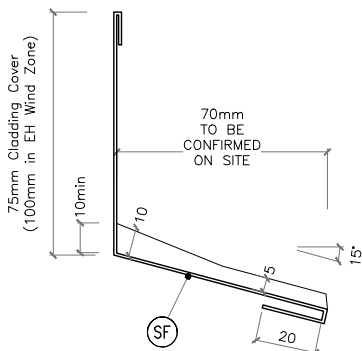
- | | | |
|---|---|--|
| <p>(SF) SILL FLASHING: Continuous flashing on 15° min slope with turn back ends at end of walls. Materials as per E2/AS1 4.0 Typically 0.45mm Min 316 Stainless Steel.</p> <p>(BW) BUILDING WRAP: Flexible Wall Underlay, As per NZBC E2/AS1 - Table 23. In extra high wind zones, Rigid Underlay required (9.1.7.2 E2/AS1)</p> <p>(BV) BRICK VENEER: Selected brick veneer. Typically 70 series clay brick veneer on 40mm cavity</p> <p>(FT) FLASHING TAPE: As per E2/AS1 4.3.11</p> <p>(BVT) BRICK VENEER TIES: Stainless Steel brick Veneer ties screw fixed to framing - spacing NZS4210, ties to be within 300mm of internal or external corner</p> | <p>(CB2) CAVITY BATTEN, VERTICAL: 20mm x 45mm H3.1. To form a 20mm cavity.</p> <p>(CB3) CAVITY BATTEN, VERTICAL - STRUCTURALLY FIXED : 45mm x 45mm SPP Radiata Pine, H3.2 70mm x 45mm SPP Radiata Pine, H3.2 To form a 45mm cavity</p> <p>(CC) CAVITY CLOSURE: Cavity closure strip, positioned to give a 15mm Min drip edge to cladding</p> <p>(CF) CORNER FLASHING: 316 Stainless Steel corner flashing. Refer NZBC E2/AS1 4.3. 75x75 Hem or Hook to Flashing Edges. EXTRA HIGH WIND ZONE 100x100 Hem or Hook to Flashing Edges</p> | <p>(IL) INTERNAL LINING: Selected Internal Lining</p> <p>(IN) INSULATION: Selected Insulation</p> <p>(TF) TIMBER FRAME: H1.2 min treated timber framing</p> <p>(WB) WEATHER BOARD: Southern Pine Bevel Back Weatherboard. Profile to NZS 3617</p> <p>(FF) FLAT FLASHING: 316 Stainless Steel 100mm Hem or Hook to Flashing Edges. EXTRA HIGH WIND ZONE 150mm Hem or Hook to Flashing Edges</p> <p>(CS) CANT STRIP: Southern Pine H3.1 Cant Strip 25mm x 9 mm</p> |
|---|---|--|

NOTE : Where 75x3.15 jolt head nails are referenced, these may be substituted for 75mm jolt head weatherboard screws

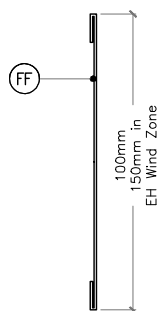
3D SILL FLASHING



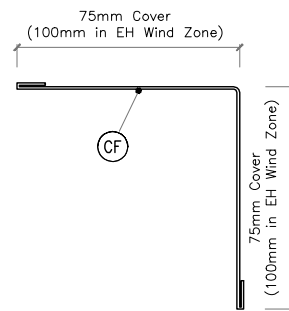
SILL FLASHING DIMENSIONS



INLINE & INTERNAL FLASHING DIMENSIONS



EXTERNAL FLASHING DIMENSIONS



- DENDRO® is Southern Pine's premium product range of H3.2 treated, solid, clear weatherboards. Manufactured from high quality, pruned NZ Radiata Pine. Product warranty, 25 years if used in accordance with the Installation & Maintenance Guide.
- All Southern Pine Weatherboard profiles have been machined to be compliant with NZS 3617 and BRANZ BU411
- The Southern Pine Weatherboard System, if designed and installed as per the Installation & Maintenance Guide, will meet

- the following provisions of the New Zealand Building Code (NZBC):
- Clause B1 Structure: Performance B1.3.1, B1.3.2, B1.3.4 (a), (b), (c), (d) and (e) for the
 - Clause B2 Durability: Performance B2.3.1(b) and B2.3.2(b)
 - Clause E2 External Moisture: Performance E2.3.2, E2.3.3, E2.3.5, E2.3.7(b) and (c)
 - Clause F2 Hazardous Building Materials: Performance F2.3.1

- This Weatherboard System must be installed by a qualified trade person. Restricted Building Work (RBW) requires a Licensed Building Practitioner (LBP) or supervised by an LBP. It is the specifier's responsibility to ensure that the details are appropriate for the intended application and that additional detailing is obtained for a specific design or any areas that fall outside the scope of the Southern Pine Products & E2/AS1 Acceptable solution.

DETAILS MAY BE SUBJECT TO CHANGE WITHOUT NOTICE



TYPE Southern Pine Products - H3.2 Treatment
 Bevel Back WB - Cavity Fix

NAME FLASHINGS - WEATHERBOARD TO BRICK



DRAWING SCALE
 1:2.5 @ A4

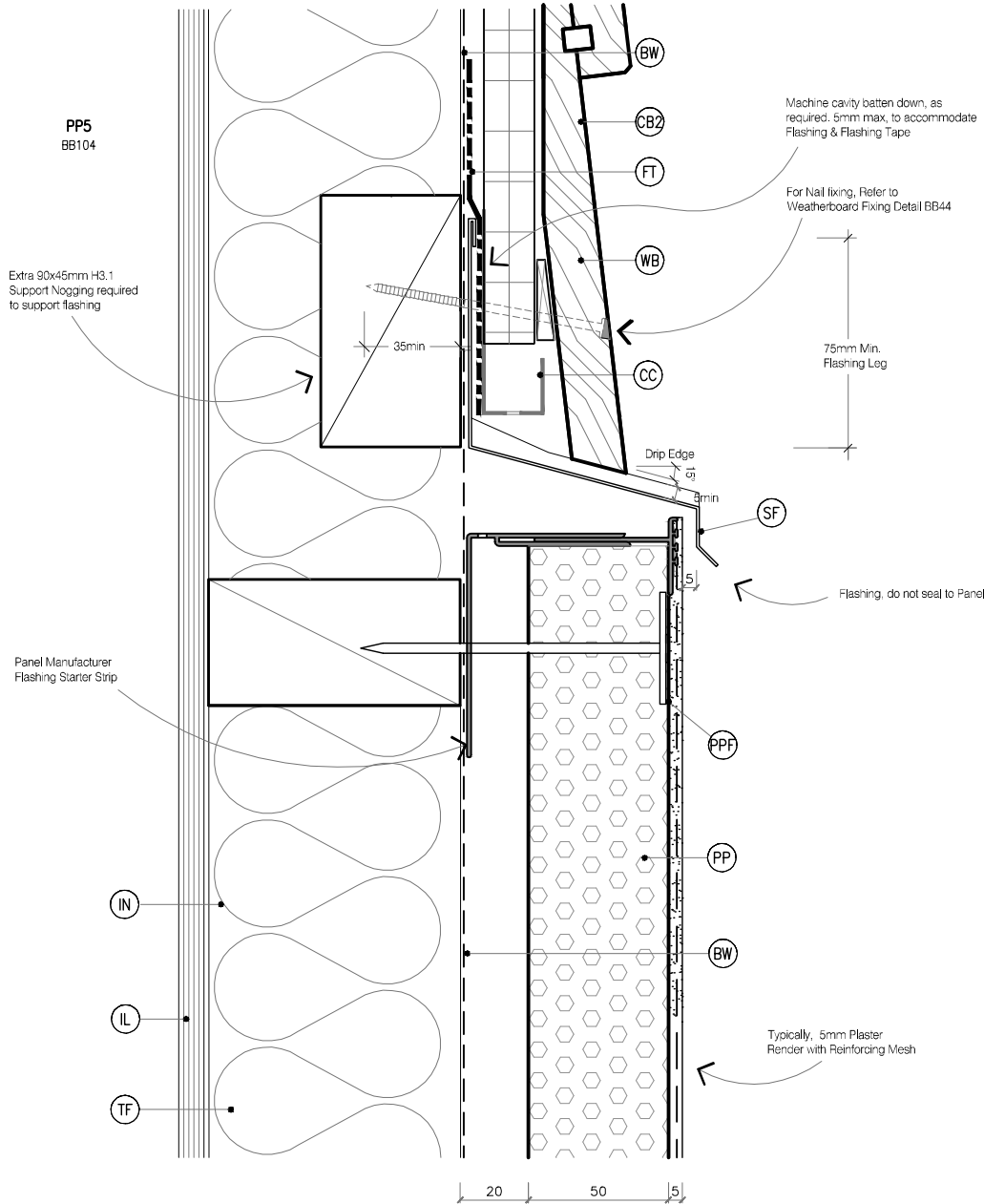
ISSUE DATE
 NOV 2023

DRAWING No SPP CF20 BB95
 REVISION

LEGEND :

- | | | |
|---|--|---|
| <p>(SF) SILL FLASHING: Continuous flashing on 15° min slope with turn back ends at end of walls. Materials as per E2/AS1 4.0 Typically 0.45mm Min 316 Stainless Steel.</p> <p>(BW) BUILDING WRAP: Flexible Wall Underlay, As per NZBC E2/AS1 - Table 23. In extra high wind zones, Rigid Underlay required (9.1.7.2 E2/AS1)</p> <p>(PP) PLASTER PANEL: Selected Insulated Facade Panel System. Typically 50mm Thick, fixed to 20mm vertical cavity batten</p> <p>(FT) FLASHING TAPE: As per E2/AS1 4.3.11</p> <p>(PPF) PLASTER PANEL FIXING: Specific designed panel fixing system. Install to manufactures instructions</p> | <p>(CB2) CAVITY BATTEN, VERTICAL: 20mm x 45mm H3.1. To form a 20mm cavity.</p> <p>(CB3) CAVITY BATTEN, VERTICAL - STRUCTURALLY FIXED : 45mm x 45mm SPP Radiata Pine, H3.2 70mm x 45mm SPP Radiata Pine, H3.2 To form a 45mm cavity</p> <p>(HS) HEAD SOFFIT SCRIBER: Southern Pine Eaves Mould EM 40 x 27. Fix with 75 x 3.15 316 SS nail in 2.5mm predrilled hole</p> <p>(CC) CAVITY CLOSURE: Cavity closure strip, positioned to give a 15mm Min drip edge to cladding</p> <p>(WB) WEATHER BOARD: Southern Pine Bevel Back Weatherboard. Profile to NZS 3617</p> | <p>(ECF) EXTERNAL CORNER FLASHING: 316 S.S Corner flashing. Refer NZBC E2/AS1 4.3. 125x75 Hem or Hook to Flashing Edges. EXTRA HIGH WIND ZONE 150x100 Hem or Hook to Flashing Edges</p> <p>(ICF) INTERNAL CORNER FLASHING: As per External Corner Flashing Hem & Hook flipped.</p> <p>(IL) INTERNAL LINING: Selected Internal Lining</p> <p>(IN) INSULATION: Selected Insulation</p> <p>(FF) FLAT FLASHING: 316 Stainless Steel 100mm Hem or Hook to Flashing Edges. EXTRA HIGH WIND ZONE 150mm Hem or Hook to Flashing Edges</p> <p>(TF) TIMBER FRAME: H1.2 min treated timber framing</p> |
|---|--|---|

NOTE : Where 75x3.15 jolt head nails are referenced, these may be substituted for 75mm jolt head weatherboard screws



DETAILS MAY BE SUBJECT TO CHANGE WITHOUT NOTICE

- DENDRO® is Southern Pine's premium product range of H3.2 treated, solid, clear weatherboards. Manufactured from, high quality, pruned NZ Radiata Pine. Product warranty, 25 years if used in accordance with the Installation & Maintenance Guide.
- All Southern Pine Weatherboard profiles have been machined to be compliant with NZS 3617 and BRANZ BU411
- The Southern Pine Weatherboard System, if designed and installed as per the Installation & Maintenance Guide, will meet

the following provisions of the New Zealand Building Code (NZBC):

- Clause B1 Structure: Performance B1.3.1, B1.3.2, B1.3.4 (a), (b), (c), (e) and (e) for the
- Clause B2 Durability: Performance B2.3.1(b) and B2.3.2(b)
- Clause E2 External Moisture: Performance E2.3.2, E2.3.3, E2.3.5, E2.3.7(b) and (c)
- Clause F2 Hazardous Building Materials: Performance F2.3.1

- This Weatherboard System must be installed by a qualified trade person. Restricted Building Work (RBW) requires a Licensed Building Practitioner (LBP) or supervised by an LBP. It is the specifier's responsibility to ensure that the details are appropriate for the intended application and that additional detailing is obtained for a specific design or any areas that fall outside the scope of the Southern Pine Products & E2/AS1 Acceptable solution.



TYPE Southern Pine Products - H3.2 Treatment
 Bevel Back WB - Cavity Fix

NAME HALF WALL - SILL - PLASTER PANEL
 TO WEATHERBOARD



DRAWING SCALE
 1:2.5 @ A4

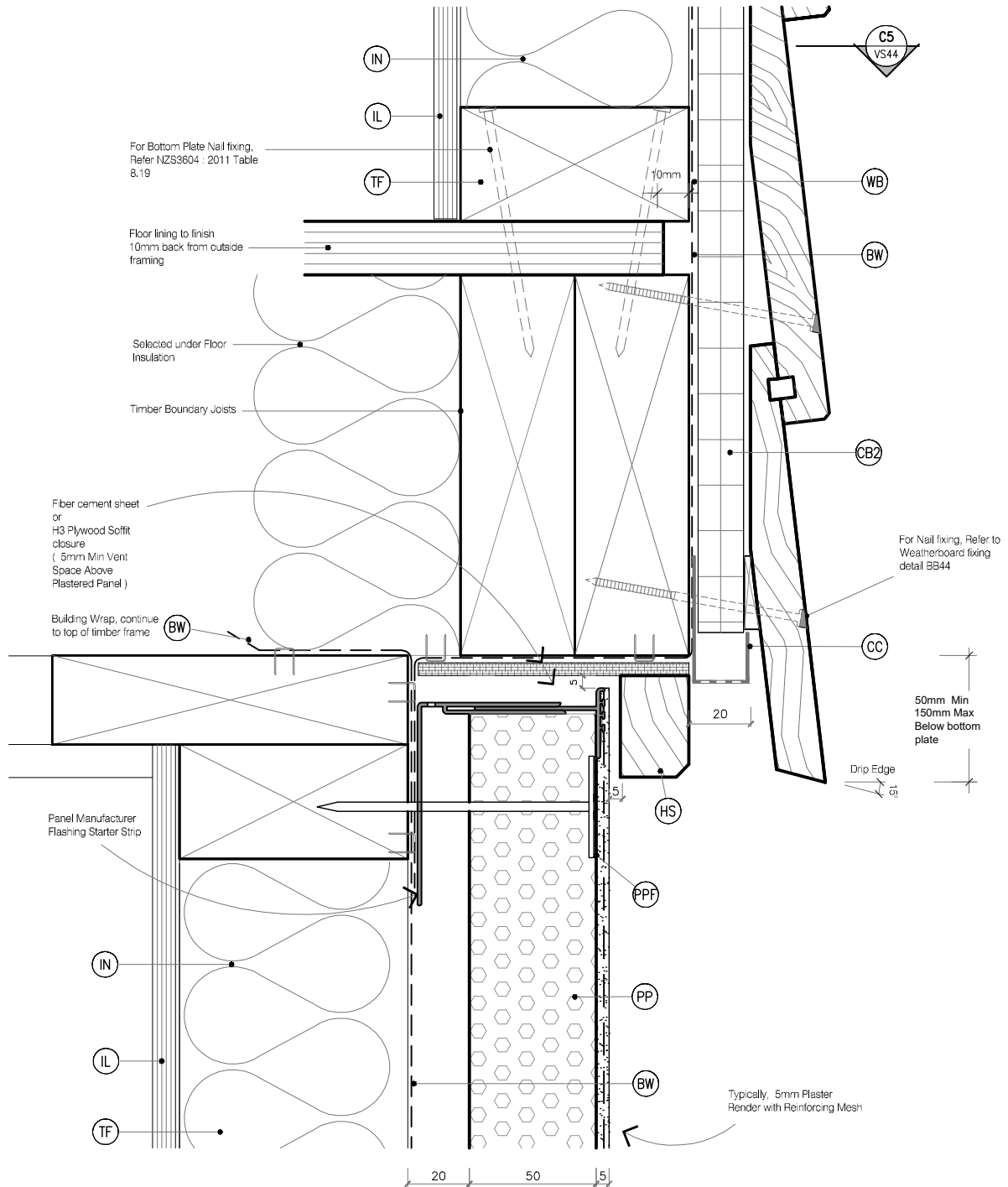
ISSUE DATE
 NOV 2023

DRAWING No SPP CF20 BB100	REVISION
------------------------------	----------

LEGEND :

- | | | |
|---|--|---|
| <p>(SF) SILL FLASHING: Continuous flashing on 15° min slope with turn back ends at end of walls. Materials as per E2/AS1 4.0 Typically 0.45mm Min 316 Stainless Steel.</p> <p>(BW) BUILDING WRAP: Flexible Wall Underlay, As per NZBC E2/AS1 - Table 23, In extra high wind zones, Rigid Underlay required (9.1.7.2 E2/AS1)</p> <p>(PP) PLASTER PANEL: Selected Insulated Facade Panel System. Typically 50mm Thick, fixed to 20mm vertical cavity batten</p> <p>(FT) FLASHING TAPE: As per E2/AS1 4.3.11</p> <p>(PPF) PLASTER PANEL FIXING: Specific designed panel fixing system. Install to manufactures instructions</p> | <p>(CB2) CAVITY BATTEN, VERTICAL: 20mm x 45mm H3.1. To form a 20mm cavity.</p> <p>(CB3) CAVITY BATTEN, VERTICAL - STRUCTURALLY FIXED : 45mm x 45mm SPP Radiata Pine, H3.2 70mm x 45mm SPP Radiata Pine, H3.2 To form a 45mm cavity</p> <p>(HS) HEAD SOFFIT SCRIBER: Southern Pine Eaves Mould EM 40 x 27. Fix with 75 x 3.15 316 SS nail in 2.5mm predrilled hole</p> <p>(CC) CAVITY CLOSURE: Cavity closure strip, positioned to give a 15mm Min drip edge to cladding</p> <p>(WB) WEATHER BOARD: Southern Pine Bevel Back Weatherboard. Profile to NZS 3617</p> | <p>(ECF) EXTERNAL CORNER FLASHING: 316 S.S Corner flashing. Refer NZBC E2/AS1 4.3. 125x75 Hem or Hook to Flashing Edges. EXTRA HIGH WIND ZONE 150x100 Hem or Hook to Flashing Edges</p> <p>(ICF) INTERNAL CORNER FLASHING: As per External Corner Flashing Hem & Hook flipped.</p> <p>(IL) INTERNAL LINING: Selected Internal Lining</p> <p>(IN) INSULATION: Selected Insulation</p> <p>(FF) FLAT FLASHING: 316 Stainless Steel 100mm Hem or Hook to Flashing Edges. EXTRA HIGH WIND ZONE 150mm Hem or Hook to Flashing Edges</p> <p>(TF) TIMBER FRAME: H1.2 min treated timber framing</p> |
|---|--|---|

NOTE : Where 75x3.15 jolt head nails are referenced, these may be substituted for 75mm jolt head weatherboard screws



DETAILS MAY BE SUBJECT TO CHANGE WITHOUT NOTICE

- DENDRO® is Southern Pine's premium product range of H3.2 treated, solid, clear weatherboards. Manufactured from, high quality, pruned NZ Radiata Pine. Product warranty, 25 years if used in accordance with the Installation & Maintenance Guide.
- All Southern Pine Weatherboard profiles have been machined to be compliant with NZS 3617 and BRANZ BU411
- The Southern Pine Weatherboard System, if designed and installed as per the Installation & Maintenance Guide, will meet

the following provisions of the New Zealand Building Code (NZBC):

- Clause B1 Structure: Performance B1.3.1, B1.3.2, B1.3.4 (a), (b), (c), (d) and (e) for the
- Clause B2 Durability: Performance B2.3.1(b) and B2.3.2(b)
- Clause E2 External Moisture: Performance E2.3.2, E2.3.3, E2.3.5, E2.3.7(b) and (c)
- Clause F2 Hazardous Building Materials: Performance F2.3.1

- This Weatherboard System must be installed by a qualified trade person. Restricted Building Work (RBW) requires a Licensed Building Practitioner (LBP) or supervised by an LBP. It is the specifier's responsibility to ensure that the details are appropriate for the intended application and that additional detailing is obtained for a specific design or any areas that fall outside the scope of the Southern Pine Products & E2/AS1 Acceptable solution.



TYPE Southern Pine Products - H3.2 Treatment
 Bevel Back WB - Cavity Fix

NAME

CANTILEVER FLOOR - PLASTER PANEL
 TO WEATHERBOARD



DRAWING SCALE
 1:2.5 @ A4

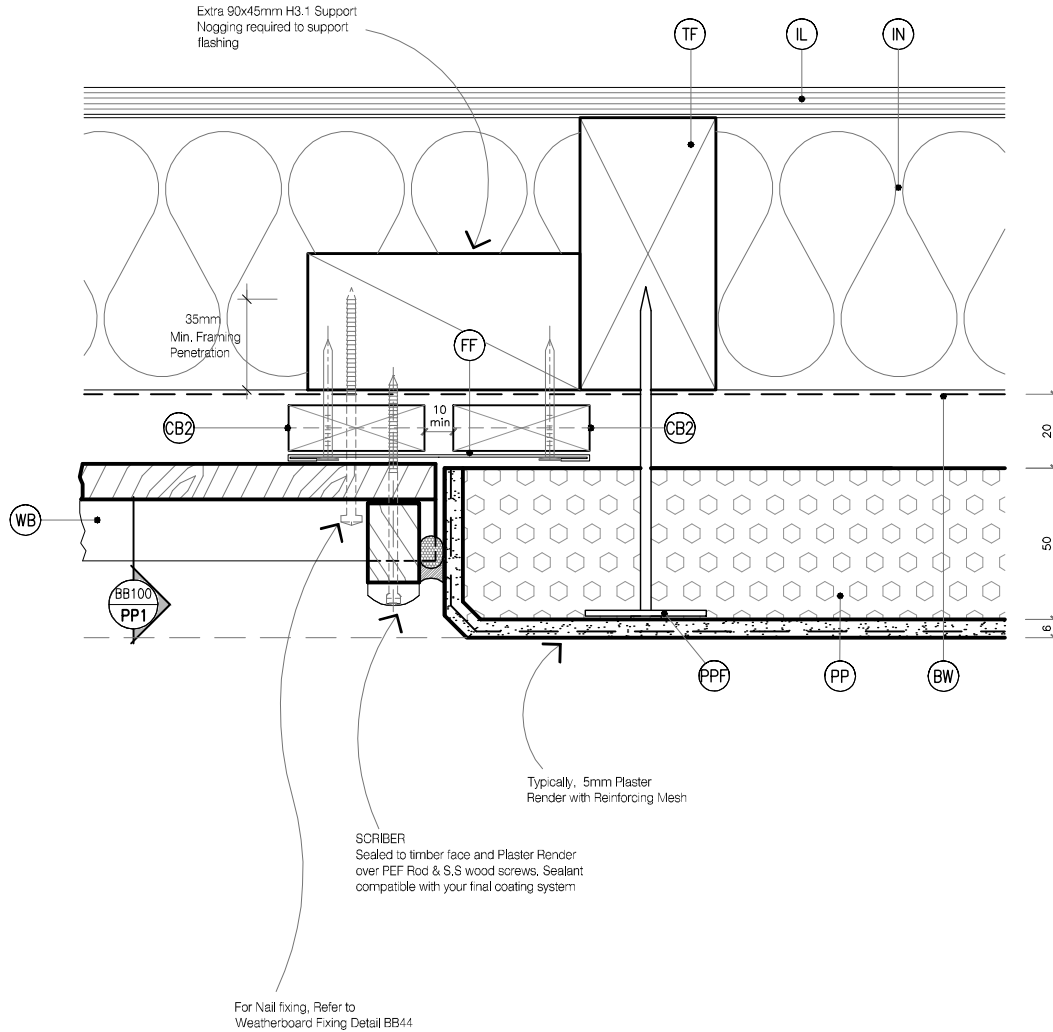
ISSUE DATE
 NOV 2023

DRAWING No SPP CF20 BB101
 REVISION

LEGEND :

- | | | |
|---|--|---|
| <p>(SF) SILL FLASHING: Continuous flashing on 15° min slope with turn back ends at end of walls. Materials as per E2/AS1 4.0 Typically 0.45mm Min 316 Stainless Steel.</p> <p>(BW) BUILDING WRAP: Flexible Wall Underlay, As per NZBC E2/AS1 - Table 23. In extra high wind zones, Rigid Underlay required (9.1.7.2 E2/AS1)</p> <p>(PP) PLASTER PANEL: Selected Insulated Facade Panel System. Typically 50mm Thick, fixed to 20mm vertical cavity batten</p> <p>(FT) FLASHING TAPE: As per E2/AS1 4.3.11</p> <p>(PPF) PLASTER PANEL FIXING: Specific designed panel fixing system. Install to manufactures instructions</p> | <p>(CB2) CAVITY BATTEN, VERTICAL: 20mm x 45mm H3.1. To form a 20mm cavity.</p> <p>(CB3) CAVITY BATTEN, VERTICAL - STRUCTURALLY FIXED : 45mm x 45mm SPP Radiata Pine, H3.2 70mm x 45mm SPP Radiata Pine, H3.2 To form a 45mm cavity</p> <p>(HS) HEAD SOFFIT SCRIBER: Southern Pine Eaves Mould EM 40 x 27. Fix with 75 x 3.15 316 SS nail in 2.5mm predrilled hole</p> <p>(CC) CAVITY CLOSURE: Cavity closure strip, positioned to give a 15mm Min drip edge to cladding</p> <p>(WB) WEATHER BOARD: Southern Pine Bevel Back Weatherboard. Profile to NZS 3617</p> | <p>(ECF) EXTERNAL CORNER FLASHING: 316 S.S Corner flashing. Refer NZBC E2/AS1 4.3. 125x75 Hem or Hook to Flashing Edges. EXTRA HIGH WIND ZONE 150x100 Hem or Hook to Flashing Edges</p> <p>(ICF) INTERNAL CORNER FLASHING: As per External Corner Flashing Hem & Hook flipped.</p> <p>(IL) INTERNAL LINING: Selected Internal Lining</p> <p>(IN) INSULATION: Selected Insulation</p> <p>(FF) FLAT FLASHING: 316 Stainless Steel 100mm Hem or Hook to Flashing Edges. EXTRA HIGH WIND ZONE 150mm Hem or Hook to Flashing Edges</p> <p>(TF) TIMBER FRAME: H1.2 min treated timber framing</p> |
|---|--|---|

NOTE : Where 75x3.15 jolt head nails are referenced, these may be substituted for 75mm jolt head weatherboard screws



- DENDRO® is Southern Pine's premium product range of H3.2 treated, solid, clear weatherboards. Manufactured from, high quality, pruned NZ Radiata Pine. Product warranty, 25 years if used in accordance with the Installation & Maintenance Guide.
- All Southern Pine Weatherboard profiles have been machined to be compliant with NZS 3617 and BRANZ BU411
- The Southern Pine Weatherboard System, if designed and installed as per the Installation & Maintenance Guide, will meet

- the following provisions of the New Zealand Building Code (NZBC):
- Clause B1 Structure: Performance B1.3.1, B1.3.2, B1.3.4 (a), (b), (c), (d) and (e) for the
 - Clause B2 Durability: Performance B2.3.1(b) and B2.3.2(b)
 - Clause E2 External Moisture: Performance E2.3.2, E2.3.3, E2.3.5, E2.3.7(b) and (c)
 - Clause F2 Hazardous Building Materials: Performance F2.3.1

- This Weatherboard System must be installed by a qualified trade person. Restricted Building Work (RBW) requires a Licensed Building Practitioner (LBP) or supervised by an LBP. It is the specifier's responsibility to ensure that the details are appropriate for the intended application and that additional detailing is obtained for a specific design or any areas that fall outside the scope of the Southern Pine Products & E2/AS1 Acceptable solution.

DETAILS MAY BE SUBJECT TO CHANGE WITHOUT NOTICE



TYPE Southern Pine Products - H3.2 Treatment
 Bevel Back WB - Cavity Fix

NAME IN-LINE JUNCTION - PLASTER PANEL
 TO WEATHERBOARD



DRAWING SCALE
 1:2.5 @ A4

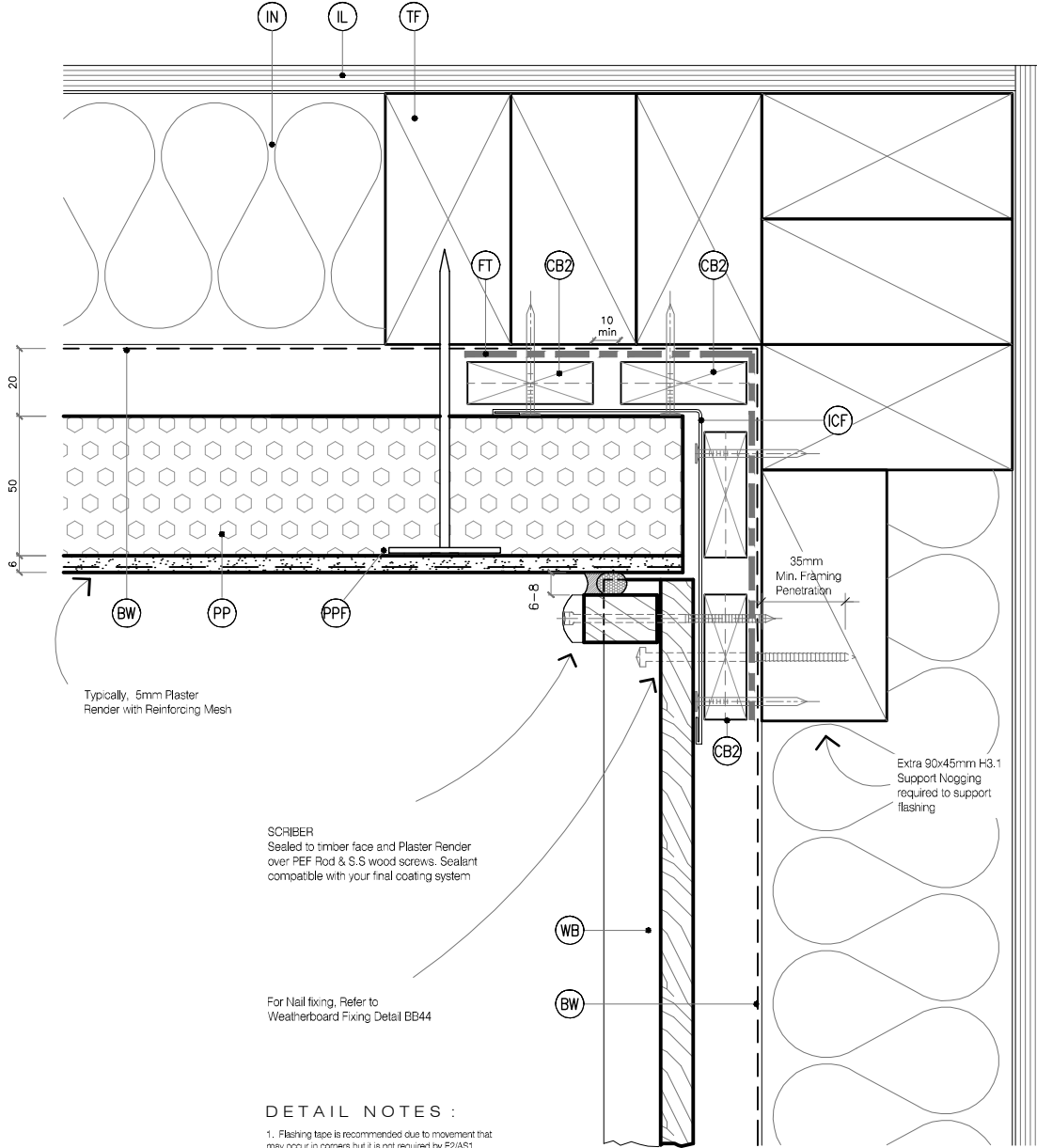
ISSUE DATE
 NOV 2023

DRAWING No SPP CF20 BB102
 REVISION

LEGEND :

- | | | |
|---|--|---|
| <p>(SF) SILL FLASHING: Continuous flashing on 15° min slope with turn back ends at end of walls. Materials as per E2/AS1 4.0 Typically 0.45mm Min 316 Stainless Steel.</p> <p>(BW) BUILDING WRAP: Flexible Wall Underlay, As per NZBC E2/AS1 - Table 23. In extra high wind zones, Rigid Underlay required (9.1.7.2 E2/AS1)</p> <p>(PP) PLASTER PANEL: Selected Insulated Facade Panel System. Typically 50mm Thick, fixed to 20mm vertical cavity batten</p> <p>(FT) FLASHING TAPE: As per E2/AS1 4.3.11</p> <p>(PPF) PLASTER PANEL FIXING: Specific designed panel fixing system. Install to manufactures instructions</p> | <p>(CB2) CAVITY BATTEN, VERTICAL: 20mm x 45mm H3.1. To form a 20mm cavity.</p> <p>(CB3) CAVITY BATTEN, VERTICAL - STRUCTURALLY FIXED : 45mm x 45mm SPP Radiata Pine, H3.2 70mm x 45mm SPP Radiata Pine, H3.2 To form a 45mm cavity</p> <p>(HS) HEAD SOFFIT SCRIBER: Southern Pine Eaves Mould EM 40 x 27. Fix with 75 x 3.15 316 SS nail in 2.5mm predrilled hole</p> <p>(CC) CAVITY CLOSURE: Cavity closure strip, positioned to give a 15mm Min drip edge to cladding</p> <p>(WB) WEATHER BOARD: Southern Pine Bevel Back Weatherboard. Profile to NZS 3617</p> | <p>(ECF) EXTERNAL CORNER FLASHING: 316 S.S Corner flashing. Refer NZBC E2/AS1 4.3. 125x75 Hem or Hook to Flashing Edges. EXTRA HIGH WIND ZONE 150x100 Hem or Hook to Flashing Edges</p> <p>(ICF) INTERNAL CORNER FLASHING: As per External Corner Flashing Hem & Hook flipped.</p> <p>(IL) INTERNAL LINING: Selected Internal Lining</p> <p>(IN) INSULATION: Selected Insulation</p> <p>(FF) FLAT FLASHING: 316 Stainless Steel 100mm Hem or Hook to Flashing Edges. EXTRA HIGH WIND ZONE 150mm Hem or Hook to Flashing Edges</p> <p>(TF) TIMBER FRAME: H1.2 min treated timber framing</p> |
|---|--|---|

NOTE : Where 75x3.15 jolt head nails are referenced, these may be substituted for 75mm jolt head weatherboard screws



DETAIL NOTES :

- Flashing tape is recommended due to movement that may occur in corners but it is not required by E2/AS1
- Aluminium extrusion must not be continuous over solid floor joists.



DETAILS MAY BE SUBJECT TO CHANGE WITHOUT NOTICE



- DENDRO® is Southern Pine's premium product range of H3.2 treated, solid, clear weatherboards. Manufactured from high quality, pruned NZ Radiata Pine. Product warranty, 25 years if used in accordance with the Installation & Maintenance Guide.
- All Southern Pine Weatherboard profiles have been machined to be compliant with NZS 3617 and BRANZ BU411
- The Southern Pine Weatherboard System, if designed and installed as per the Installation & Maintenance Guide, will meet

- the following provisions of the New Zealand Building Code (NZBC):
- Clause B1 Structure: Performance B1.3.1, B1.3.2, B1.3.4 (a), (b), (c), (d) and (e) for the
 - Clause B2 Durability: Performance B2.3.1(b) and B2.3.2(b)
 - Clause E2 External Moisture: Performance E2.3.2, E2.3.3, E2.3.5, E2.3.7(b) and (c)
 - Clause F2 Hazardous Building Materials: Performance F2.3.1

- This Weatherboard System must be installed by a qualified trade person. Restricted Building Work (RBW) requires a Licensed Building Practitioner (LBP) or supervised by an LBP. It is the specifier's responsibility to ensure that the details are appropriate for the intended application and that additional detailing is obtained for a specific design or any areas that fall outside the scope of the Southern Pine Products & E2/AS1 Acceptable solution.

TYPE Southern Pine Products - H3.2 Treatment
 Bevel Back WB - Cavity Fix

NAME INTERNAL CORNER - PLASTER PANEL
 TO WEATHERBOARD



DRAWING SCALE
 1:2.5 @ A4

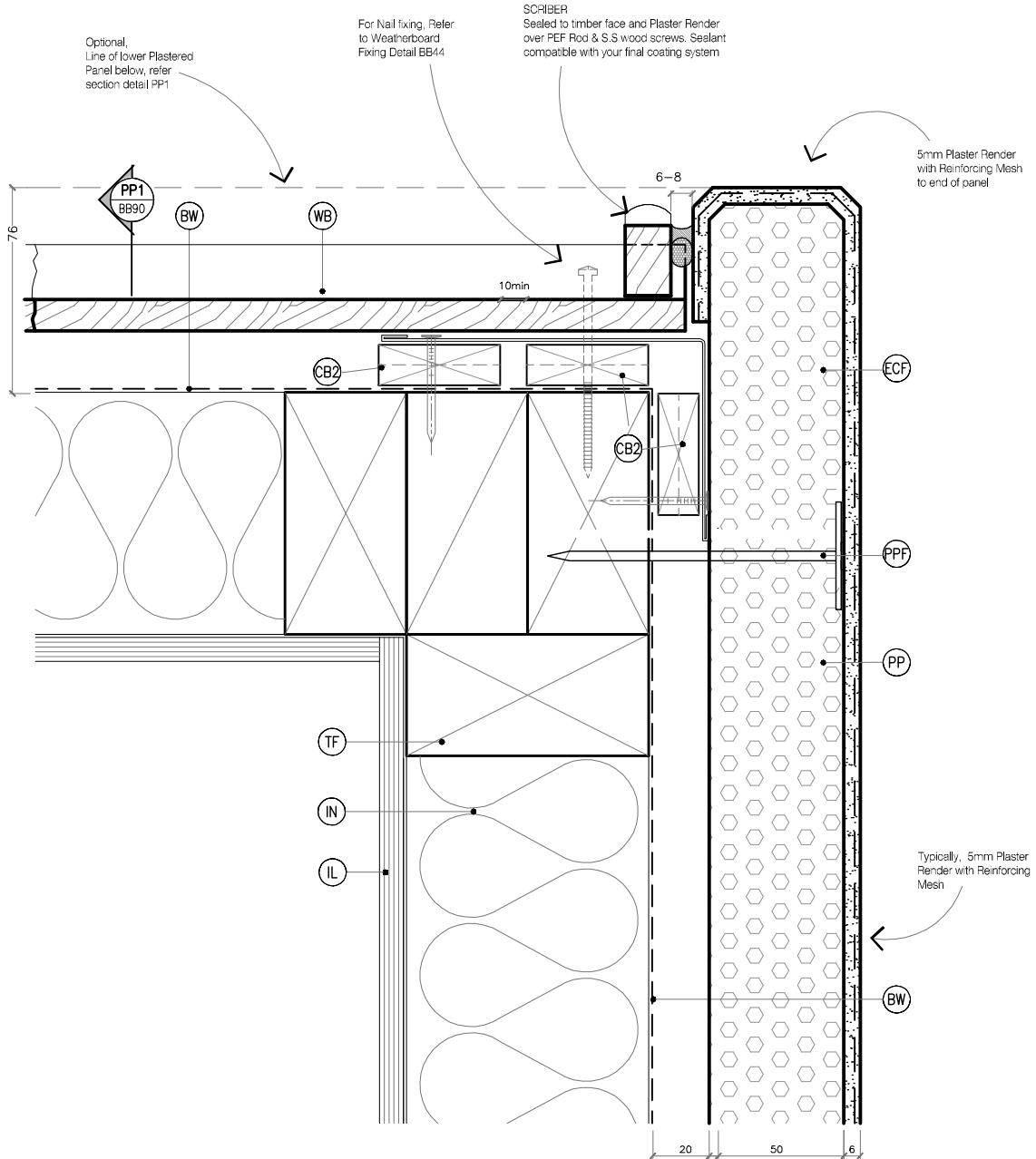
ISSUE DATE
 NOV 2023

DRAWING No SPP CF20 BB103
 REVISION

LEGEND :

- | | | |
|---|--|---|
| <p>(SF) SILL FLASHING: Continuous flashing on 15° min slope with turn back ends at end of walls. Materials as per E2/AS1 4.0 Typically 0.45mm Min 316 Stainless Steel.</p> <p>(BW) BUILDING WRAP: Flexible Wall Underlay, As per NZBC E2/AS1 - Table 23. In extra high wind zones, Rigid Underlay required (9.1.7.2 E2/AS1)</p> <p>(PP) PLASTER PANEL: Selected Insulated Facade Panel System. Typically 50mm Thick, fixed to 20mm vertical cavity batten</p> <p>(FT) FLASHING TAPE: As per E2/AS1 4.3.11</p> <p>(PPF) PLASTER PANEL FIXING: Specific designed panel fixing system. Install to manufactures instructions</p> | <p>(CB2) CAVITY BATTEN, VERTICAL: 20mm x 45mm H3.1. To form a 20mm cavity.</p> <p>(CB3) CAVITY BATTEN, VERTICAL - STRUCTURALLY FIXED : 45mm x 45mm SPP Radiata Pine, H3.2 70mm x 45mm SPP Radiata Pine, H3.2 To form a 45mm cavity</p> <p>(HS) HEAD SOFFIT SCRIBER: Southern Pine Eaves Mould EM 40 x 27. Fix with 75 x 3.15 316 SS nail in 2.5mm predrilled hole</p> <p>(CC) CAVITY CLOSURE: Cavity closure strip, positioned to give a 15mm Min drip edge to cladding</p> <p>(WB) WEATHER BOARD: Southern Pine Bevel Back Weatherboard. Profile to NZS 3617</p> | <p>(ECF) EXTERNAL CORNER FLASHING: 316 S.S Corner flashing. Refer NZBC E2/AS1 4.3. 125x75 Hem or Hook to Flashing Edges. EXTRA HIGH WIND ZONE 150x100 Hem or Hook to Flashing Edges</p> <p>(ICF) INTERNAL CORNER FLASHING: As per External Corner Flashing Hem & Hook flipped.</p> <p>(IL) INTERNAL LINING: Selected Internal Lining</p> <p>(IN) INSULATION: Selected Insulation</p> <p>(FF) FLAT FLASHING: 316 Stainless Steel 100mm Hem or Hook to Flashing Edges. EXTRA HIGH WIND ZONE 150mm Hem or Hook to Flashing Edges</p> <p>(TF) TIMBER FRAME: H1.2 min treated timber framing</p> |
|---|--|---|

NOTE : Where 75x3.15 jolt head nails are referenced, these may be substituted for 75mm jolt head weatherboard screws



DETAILS MAY BE SUBJECT TO CHANGE WITHOUT NOTICE

- DENDRO® is Southern Pine's premium product range of H3.2 treated, solid, clear weatherboards. Manufactured from, high quality, pruned NZ Radiata Pine. Product warranty, 25 years if used in accordance with the Installation & Maintenance Guide.
- All Southern Pine Weatherboard profiles have been machined to be compliant with NZS 3617 and BRANZ BU411
- The Southern Pine Weatherboard System, if designed and installed as per the Installation & Maintenance Guide, will meet

the following provisions of the New Zealand Building Code (NZBC):

- Clause B1 Structure: Performance B1.3.1, B1.3.2, B1.3.4 (a), (b), (c), (d) and (e) for the
- Clause B2 Durability: Performance B2.3.1(b) and B2.3.2(b)
- Clause E2 External Moisture: Performance E2.3.2, E2.3.3, E2.3.5, E2.3.7(b) and (c)
- Clause F2 Hazardous Building Materials: Performance F2.3.1

- This Weatherboard System must be installed by a qualified trade person. Restricted Building Work (RBW) requires a Licensed Building Practitioner (LBP) or supervised by an LBP. It is the specifier's responsibility to ensure that the details are appropriate for the intended application and that additional detailing is obtained for a specific design or any areas that fall outside the scope of the Southern Pine Products & E2/AS1 Acceptable solution.



TYPE Southern Pine Products - H3.2 Treatment
 Bevel Back WB - Cavity Fix

NAME

EXTERIOR JUNCTION - PLASTER PANEL
 TO WEATHERBOARD



DRAWING SCALE
 1:2.5 @ A4

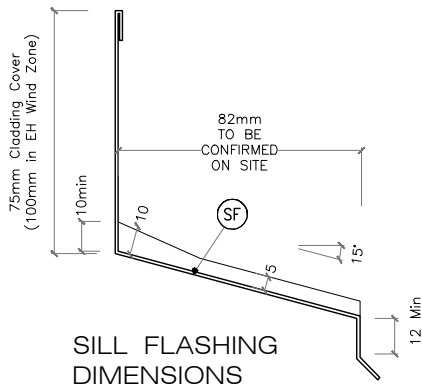
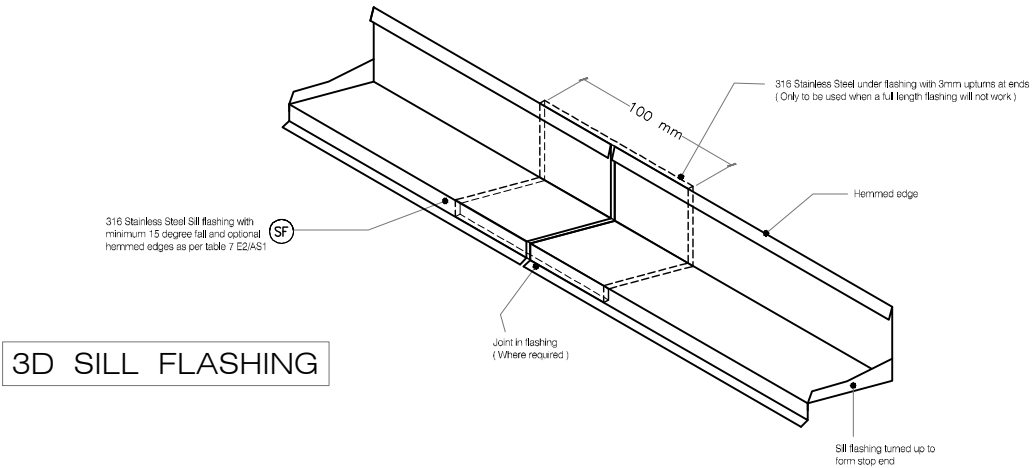
ISSUE DATE
 NOV 2023

DRAWING No SPP CF20 BB104
 REVISION

LEGEND :

- | | | |
|---|---|---|
| <p>(SF) SILL FLASHING: Continuous flashing on 15° min slope with turn back ends at end of walls. Materials as per E2/AS1 4.0 Typically 0.45mm Min 316 Stainless Steel.</p> <p>(BW) BUILDING WRAP: Flexible Wall Underlay, As per NZBC E2/AS1 - Table 23. In extra high wind zones, Rigid Underlay required (9.1.7.2 E2/AS1)</p> <p>(PP) PLASTER PANEL: Selected Insulated Facade Panel System. Typically 50mm Thick, fixed to 20mm vertical cavity batten</p> <p>(FT) FLASHING TAPE: As per E2/AS1 4.3.11</p> <p>(PPF) PLASTER PANEL FIXING: Specific designed panel fixing system. Install to manufactures instructions</p> | <p>(CB2) CAVITY BATTEN, VERTICAL: 20mm x 45mm H3.1. To form a 20mm cavity.</p> <p>(CB3) CAVITY BATTEN, VERTICAL - STRUCTURALLY FIXED : 45mm x 45mm SPP Radiata Pine, H3.2 To form a 45mm cavity</p> <p>(HS) HEAD SOFFIT SCRIBER: Southern Pine Eaves Mould EM 40 x 27. Fix with 75 x 3.15 316 SS nail in 2.5mm predrilled hole</p> <p>(CC) CAVITY CLOSURE: Cavity closure strip, positioned to give a 15mm Min drip edge to cladding</p> <p>(WB) WEATHER BOARD: Southern Pine Bevel Back Weatherboard. Profile to NZS 3617</p> | <p>(ECF) EXTERNAL CORNER FLASHING: 316 S.S Corner flashing. Refer NZBC E2/AS1 4.3. 125x75 Hem or Hook to Flashing Edges. EXTRA HIGH WIND ZONE 150x100 Hem or Hook to Flashing Edges</p> <p>(ICF) INTERNAL CORNER FLASHING: As per External Corner Flashing Hem & Hook flipped.</p> <p>(IL) INTERNAL LINING: Selected Internal Lining</p> <p>(IN) INSULATION: Selected Insulation</p> <p>(FF) FLAT FLASHING: 316 Stainless Steel 100mm Hem or Hook to Flashing Edges. EXTRA HIGH WIND ZONE 150mm Hem or Hook to Flashing Edges</p> <p>(TF) TIMBER FRAME: H1.2 min treated timber framing</p> |
|---|---|---|

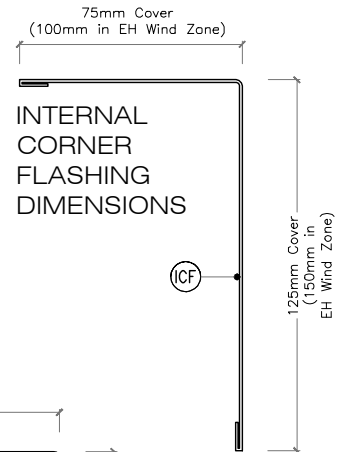
NOTE : Where 75x3.15 jolt head nails are referenced, these may be substituted for 75mm jolt head weatherboard screws



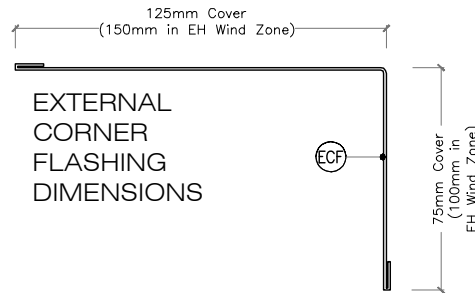
SILL FLASHING DIMENSIONS



INLINE FLASHING DIMENSIONS



INTERNAL CORNER FLASHING DIMENSIONS



EXTERNAL CORNER FLASHING DIMENSIONS



DETAILS MAY BE SUBJECT TO CHANGE WITHOUT NOTICE

- DENDRO® is Southern Pine's premium product range of H3.2 treated, solid, clear weatherboards. Manufactured from, high quality, pruned NZ Radiata Pine. Product warranty, 25 years if used in accordance with the Installation & Maintenance Guide.
- All Southern Pine Weatherboard profiles have been machined to be compliant with NZS 3617 and BRANZ BU411
- The Southern Pine Weatherboard System, if designed and installed as per the Installation & Maintenance Guide, will meet

the following provisions of the New Zealand Building Code (NZBC):

- Clause B1 Structure: Performance B1.3.1, B1.3.2, B1.3.4 (a), (b), (c), (d) and (e) for the
- Clause B2 Durability: Performance B2.3.1(b) and B2.3.2(b)
- Clause E2 External Moisture: Performance E2.3.2, E2.3.3, E2.3.5, E2.3.7(b) and (c)
- Clause F2 Hazardous Building Materials: Performance F2.3.1

- This Weatherboard System must be installed by a qualified trade person. Restricted Building Work (RBW) requires a Licensed Building Practitioner (LBP) or supervised by an LBP. It is the specifier's responsibility to ensure that the details are appropriate for the intended application and that additional detailing is obtained for a specific design or any areas that fall outside the scope of the Southern Pine Products & E2/AS1 Acceptable solution.



TYPE Southern Pine Products - H3.2 Treatment
 Bevel Back WB - Cavity Fix

NAME

FLASHINGS - PLASTER PANEL TO WEATHERBOARD



DRAWING SCALE
 1:2.5 @ A4

ISSUE DATE
 NOV 2023

DRAWING No SPP CF20 BB105	REVISION
------------------------------	----------