

SITE DRAWINGS

ISSUE : September 2023 - FOR INFORMATION



DETAILS MAY BE SUBJECT TO CHANGE WITHOUT NOTICE



TYPE Southern Pine Products - H3.2 Treatment Vertical Shiplap WB - Cavity Fix
NAME A4 COVER SHEET



DRAWING SCALE N.T.S	ISSUE DATE SEP 2023
DRAWING No SPP CF20 VS01	REVISION

A4 Site Details - INDEX

Sheet Number	Sheet Title
SPP A000	TEMPLATE SHEET
SPP CF20 VS01	A4 COVER SHEET
SPP CF20 VS02	A4 COVER SHEET - INDEX
SPP CF20 VS03	A4 COVER SHEET - INDEX (2)
SPP CF20 VS04	A4 COVER SHEET - NOTES
SPP CF20 VS10	WINDOW HEAD DETAIL
SPP CF20 VS11	WINDOW SILL DETAILS
SPP CF20 VS12	WINDOW JAMB DETAIL
SPP CF20 VS13	WINDOW FLASHING DETAILS
SPP CF20 VS20	DOOR HEAD DETAIL
SPP CF20 VS21	DOOR SILL DETAIL
SPP CF20 VS22	DOOR JAMB DETAIL
SPP CF20 VS23	DOOR FLASHING DETAILS
SPP CF20 VS30	METER BOX HEAD DETAIL
SPP CF20 VS31	METER BOX SILL DETAIL
SPP CF20 VS32	METER BOX JAMB DETAIL
SPP CF20 VS33	METER BOX FLASHING DETAILS
SPP CF20 VS40	EXTERNAL CORNER
SPP CF20 VS41	3D EXTERNAL CORNER
SPP CF20 VS42	INTERNAL CORNER
SPP CF20 VS43	3D INTERNAL CORNER
SPP CF20 VS44	WEATHERBOARD FIXING
SPP CF20 VS45	DRAINED INTER-STOREY JOINT
SPP CF20 VS50	EXTERNAL BOXED CORNER
SPP CF20 VS51	3D EXTERNAL BOXED CORNER
SPP CF20 VS52	INTERNAL BOXED CORNER
SPP CF20 VS53	3D INTERNAL BOXED CORNER
SPP CF20 VS54	PIPE PENETRATION
SPP CF20 VS55	3D PIPE PENETRATION
SPP CF20 VS60	BASE OF WALL - TIMBER
SPP CF20 VS61	BASE OF WALL - CONCRETE
SPP CF20 VS62	SOFFIT DETAIL AT WALL
SPP CF20 VS63	SOFFIT DETAIL AT FASCIA
SPP CF20 VS64	APRON FLASHING - ROOF TO WALL JUNCTION



SUSTAINABLE FORESTRY

Raw material is grown sustainably



NON TOXIC

Completely natural and toxic-free material



WEATHER ENDURANCE

Durable and weather resistant,



ALL CLIMATES

Can be used both indoors and outdoors in all climate conditions



DIMENSIONAL STABILITY

Retains its shape better than untreated wood and therefore a perfect choice for demanding applications



DETAILS MAY BE SUBJECT TO CHANGE WITHOUT NOTICE



TYPE Southern Pine Products - H3.2 Treatment
 Vertical Shiplap WB - Cavity Fix
 NAME A4 COVER SHEET - INDEX



DRAWING SCALE N.T.S	ISSUE DATE SEP 2023
DRAWING No SPP CF20 VS02	
REVISION	

A4 Site Details - INDEX

Sheet Number	Sheet Title
SPP CF20 VS65	BALUSTRADE CAPPING OR PARAPET DETAIL
SPP CF20 VS70	BASE OF WALL, MEMBRANE ROOF
SPP CF20 VS71	DECK TO ROOF MEMBRANE - SADDLE FLASHING - STAGE ONE
SPP CF20 VS72	DECK TO ROOF MEMBRANE - SADDLE FLASHING - STAGE TWO
SPP CF20 VS73	DECK TO ROOF MEMBRANE - SADDLE FLASHING - STAGE THREE
SPP CF20 VS74	TYPICAL PARAPET CAPPING JOINT DETAILS
SPP CF20 VS75	PARAPET SECTION TO MEMBRANE ROOF
SPP CF20 VS90	HALF WALL - SILL WEATHERBOARD TO BRICK
SPP CF20 VS91	CANTILEVER FLOOR - BRICK TO WEATHERBOARD
SPP CF20 VS92	IN-LINE JUNCTION - WEATHERBOARD TO BRICK
SPP CF20 VS93	INTERNAL CORNER - WEATHERBOARD TO BRICK
SPP CF20 VS94	EXTERIOR JUNCTION - WEATHERBOARD TO BRICK
SPP CF20 VS95	FLASHINGS - WEATHERBOARD TO BRICK
SPP CF20 VS100	HALF WALL - SILL - PLASTER PANEL TO WEATHERBOARD
SPP CF20 VS101	CANTILEVER FLOOR - PLASTER PANEL TO WEATHERBOARD
SPP CF20 VS102	IN-LINE JUNCTION - PLASTER PANEL TO WEATHERBOARD
SPP CF20 VS103	INTERNAL CORNER - PLASTER PANEL TO WEATHERBOARD
SPP CF20 VS104	EXTERIOR JUNCTION - PLASTER PANEL TO WEATHERBOARD
SPP CF20 VS105	FLASHINGS - PLASTER PANEL TO WEATHERBOARD



SUSTAINABLE FORESTRY
Raw material is grown sustainably



NON TOXIC
Completely natural and toxic-free material



WEATHER ENDURANCE
Durable and weather resistant,



ALL CLIMATES
Can be used both indoors and outdoors in all climate conditions



DIMENSIONAL STABILITY
Retains its shape better than untreated wood and therefore a perfect choice for demanding applications



DETAILS MAY BE SUBJECT TO CHANGE WITHOUT NOTICE



TYPE Southern Pine Products - H3.2 Treatment Vertical Shiplap WB - Cavity Fix
 NAME A4 COVER SHEET - INDEX (2)



DRAWING SCALE
N.T.S

ISSUE DATE
SEP 2023

DRAWING No SPP CF20 VS03
 REVISION

General Notes :

This documentation has been specifically designed to help Architects, Designers & Builders. They are grouped into Two Sections

A3 / A1 ARCHITECTURAL DRAWINGS :

The details are grouped to make up completed A1 or A3 drawings.
 eg WINDOW DETAILS (Head, Sill, Jamb & Flashing Details)

A4 SITE DRAWINGS :

The details in this section are full scale 1:2 at A4. You can easily read these drawings and are intended for the builder.

ARCHITECTS / DESIGNERS RESPONSIBILITY :

We have made the drawings as accurate as possible. We have even specified extra flashing's in some areas that are over and above the NZ Building Code E2/AS1 External Moisture. But it is the Architects / Designers responsibility to confirm the suitability of these details for his particular projects and his client.

The Architect / Designer will need to determine the "RISK MATRIX" that is project-specific, which then determines the details required. Builders that have questions about these details, will need to contact their project-specific Architect or Designer

TECHNICAL INFORMATION :

- The AutoCAD drawings have all the Xref,s embedded as blocks.
Erase the title block and Xref in your title block.
- These drawings have been KEY NOTED
This makes the details more readable, people then focus on the actual important notes on the drawing. This also allows for easier revisions. You only need to change one keynote reference. You will need to personalize these notes to make them specific to your project.
- The Drawings are coloured and have pen assignments to the colours. a PGP file will be supplied in the Zip File. All the drawing output sheets are default set to print a PDF drawing. It is recommended that you print these detail in PDF then print your paper copies from the PDF File.
- The AutoCAD drawings are made up of multiple details, The A1/A3 output drawings also link into the A4 Detail drawings, These A4 drawings have special scaled down notes and blocks. (Annotative Scale) But it is the exact same information
- These drawings are Copyrighted to " SOUTHERN PINE PRODUCTS LIMITED" (ALL RIGHTS ASSERTED) and their Approved Clients. The Drawings have two methods of Electronic protection. You will receive your own personal password to open the drawings.

LEGAL INFORMATION :

SOUTHERN PINE PRODUCTS Ltd and its Agent AIPdesigNZ Ltd have no reason to believe the information in the details are inaccurate. SOUTHERN PINE PRODUCTS Ltd and its Agent AIPdesigNZ Ltd does not warrant the accuracy, adequacy or completeness of such information and we do not undertake to keep the information in the details updated. SOUTHERN PINE PRODUCTS Ltd and its Agent AIPdesigNZ Ltd DOES NOT :

- Give any assurances that the details and information will be suitable for your purposes, and you agree that you will not rely on the information and you will make your own independent assessments (with the aid of qualified independent advice)
- Accept responsibility for any loss, damage (including indirect, special or consequential loss or damage), however caused (including through negligence) that you may directly or indirectly suffer in connection with your use of or reliance on the SOUTHERN PINE PRODUCTS Ltd & AIPdesigNZ Ltd Details, including the accuracy or currency of the SOUTHERN PINE PRODUCTS Ltd & AIPdesigNZ Ltd Details.
Any condition, warranty, right or liability which would otherwise be implied is excluded.

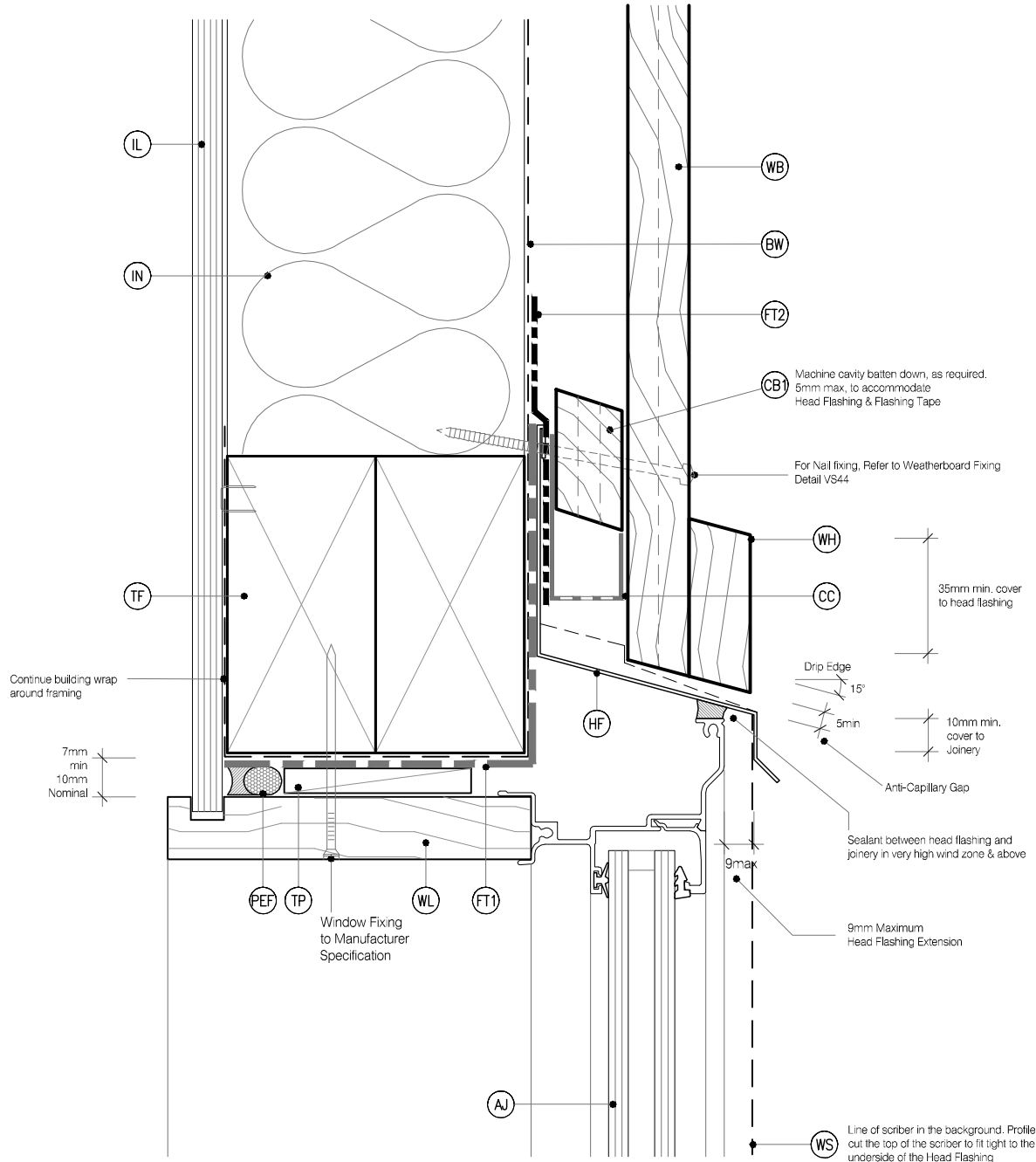


DETAILS MAY BE SUBJECT TO CHANGE WITHOUT NOTICE



LEGEND :

- | | | |
|---|---|---|
| <p>(AJ) ALUMINIUM JOINERY: Selected double glazed aluminium joinery. To E2/AS1 9.1.10</p> <p>(BW) BUILDING WRAP: Flexible Wall Underlay, As per NZBC E2/AS1 - Table 23. In extra high wind zones, Rigid Underlay required (9.1.7.2 E2/AS1)</p> <p>(CB1) CAVITY BATTEN, HORIZONTAL - NON STRUCTURAL : 20mm x 45mm SP Radiata Pine H3.2. Castellated with a 18 degree bevelled slope. To form a 20mm cavity</p> <p>(CB2) CAVITY BATTEN, VERTICAL: 20mm x 45mm. To form a 20mm cavity. Standard H3.1 or castellated H3.2</p> <p>(CB3) CAVITY BATTEN, HORIZONTAL - STRUCTURALLY FIXED : 45mm x 45mm SP Radiata Pine, H3.2 70mm x 45mm SP Radiata Pine, H3.2 Castellated with a 18 degree bevelled slope. To form a 45mm cavity</p> | <p>(CC) CAVITY CLOSURE: Cavity closure strip, positioned to give a 15mm Min drip edge to cladding</p> <p>(FT1) FLASHING TAPE: Flashing tape over wrap 70mm (50 min) turn-down required in corners only. Refer to Fig. 72 of NZBC E2/AS1</p> <p>(FT2) FLEXIBLE FLASHING TAPE: Flexible flashing tape lapped over aluminium head flashing or 2nd layer of Building Wrap, taped joint to top of timber frame</p> <p>(HF) HEAD FLASHING: Aluminium head flashing with minimum 15 degree fall, optional hemmed edges as per table 7 E2/AS1</p> <p>(IL) INTERNAL LINING: Selected Internal Lining</p> <p>(IN) INSULATION: Selected Insulation</p> <p>(PEF) PEF ROD BACKING: Foam backing rod with insulation that forms a waterproof air-seal. (Sealant 2:1 Ratio)</p> | <p>(TF) TIMBER FRAME: H1.2 min treated timber framing</p> <p>(TP) TIMBER PACKER: Tan H3.2 Treated Packer</p> <p>(WB) WEATHER BOARD: Southern Pine Vertical Shiplap Weatherboard. Profile to NZS 3617</p> <p>(WL) WINDOW LINER: As Specified</p> <p>(WH) WEATHERHEAD: (OPTIONAL) Southern Pine, Horizontal batten above window as necessary to suit profile, shaped to shed water, sealant to back of head scriber</p> <p>(WS) WINDOW SCRIBER: Southern Pine SDA18 x 18, sealant to back of SDA and 75 x 3.15mm 316 Stainless Steel nail in 3mm predrilled hole.</p> <p>(WZ) WANZ SUPPORT: Provide window support as required by joinery manufacturer</p> |
|---|---|---|



- DENDRO is Southern Pine's premium product range of H3.2 treated, solid, clear weatherboards. Manufactured from high quality, pruned NZ Radiata Pine. Product warranty, 25 years if used in accordance with the Installation & Maintenance Guide.
- All Southern Pine Weatherboard profiles have been machined to be compliant with NZS 3617 and BRANZ BU411
- The Southern Pine Weatherboard System, if designed and installed as per the Installation & Maintenance Guide, will meet the following provisions of the New Zealand Building Code (NZBC):
 - Clause B1 Structure: Performance B1.3.1, B1.3.2, B1.3.4 (a), (b), (c), (d) and (e) for the
 - Clause B2 Durability: Performance B2.3.1(b) and B2.3.2(b)
 - Clause E2 External Moisture: Performance E2.3.2, E2.3.3, E2.3.5, E2.3.7(b) and (c)
 - Clause F2 Hazardous Building Materials: Performance F2.3.1
- This Weatherboard System must be installed by a qualified trade person. Restricted Building Work (RBW) requires a Licensed Building Practitioner (LBP) or supervised by an LBP. It is the specifier's responsibility to ensure that the details are appropriate for the intended application and that additional detailing is obtained for a specific design or any areas that fall outside the scope of the Southern Pine Products & E2/AS1 Acceptable solution.



DETAILS MAY BE SUBJECT TO CHANGE WITHOUT NOTICE



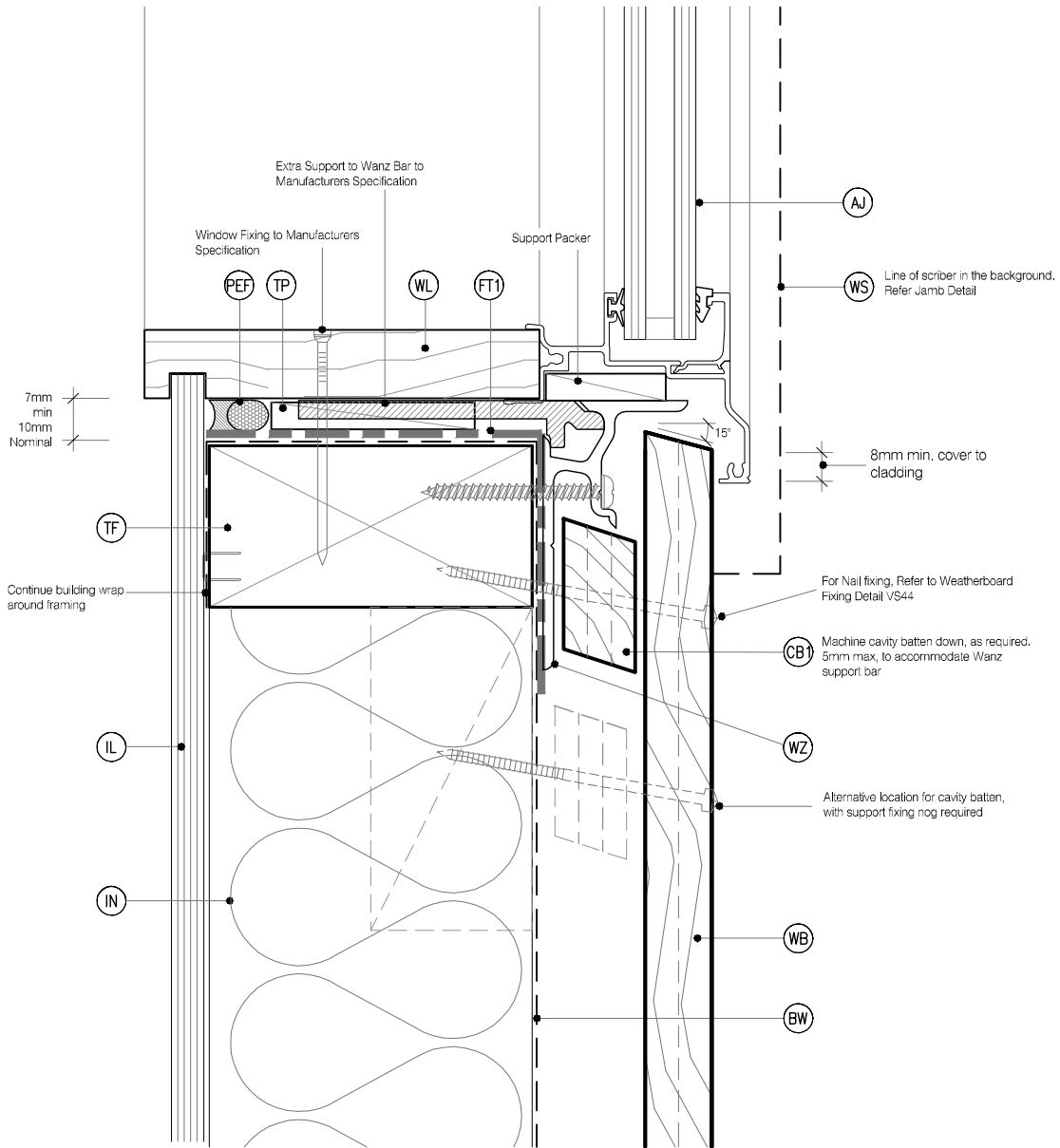
TYPE Southern Pine Products - H3.2 Treatment
 Vertical Shiplap WB - Cavity Fix
 NAME WINDOW HEAD DETAIL



DRAWING SCALE	ISSUE DATE
1:2 @ A4	SEP 2023
DRAWING No	REVISION
SPP CF20 VS10	

LEGEND :

- | | | |
|---|--|---|
| <p>(AJ) ALUMINIUM JOINERY: Selected double glazed aluminium joinery. To E2/AS1 9.1.10</p> <p>(BW) BUILDING WRAP: Flexible Wall Underlay, As per NZBC E2/AS1 - Table 23. In extra high wind zones, Rigid Underlay required (9.1.7.2 E2/AS1)</p> <p>(CB1) CAVITY BATTEN, HORIZONTAL - NON STRUCTURAL : 20mm x 45mm SP Radiata Pine H3.2. Castellated with a 18 degree bevelled slope. To form a 20mm cavity</p> <p>(CB2) CAVITY BATTEN, VERTICAL: 20mm x 45mm. To form a 20mm cavity. Standard H3.1 or castellated H3.2</p> <p>(CB3) CAVITY BATTEN, HORIZONTAL - STRUCTURALLY FIXED : 45mm x 45mm SP Radiata Pine, H3.2 70mm x 45mm SP Radiata Pine, H3.2 Castellated with a 18 degree bevelled slope. To form a 45mm cavity</p> | <p>(CC) CAVITY CLOSURE: Cavity closure strip, positioned to give a 15mm Min drip edge to cladding</p> <p>(FT1) FLASHING TAPE: Flashing tape over wrap 70mm (50 min) turn-down required in corners only. Refer to Fig. 72 of NZBC E2/AS1</p> <p>(FT2) FLEXIBLE FLASHING TAPE: Flexible flashing tape lapped over aluminium head flashing or 2nd layer of Building Wrap, taped joint to top of timber frame</p> <p>(HF) HEAD FLASHING: Aluminium head flashing with minimum 15 degree fall, optional hemmed edges as per table 7 E2/AS1</p> <p>(IL) INTERNAL LINING: Selected Internal Lining</p> <p>(IN) INSULATION: Selected Insulation</p> <p>(PEF) PEF ROD BACKING: Foam backing rod with sealant to cavity in Window perimeter that forms a waterproof air-seal. (Sealant 2:1 Ratio)</p> | <p>(TF) TIMBER FRAME: H1.2 min treated timber framing</p> <p>(TP) TIMBER PACKER: Tan H3.2 Treated Packer</p> <p>(WB) WEATHER BOARD: Southern Pine Vertical Shiplap Weatherboard. Profile to NZS 3617</p> <p>(WL) WINDOW LINER: As Specified</p> <p>(WH) WEATHERHEAD: (OPTIONAL) Southern Pine, Horizontal batten above window as necessary to suit profile, shaped to shed water, sealant to back of head scriber</p> <p>(WS) WINDOW SCRIBER: Southern Pine SDA18 x 18, sealant to back of SDA and 75 x 3.15mm 316 Stainless Steel nail in 3mm predrilled hole.</p> <p>(WZ) WANZ SUPPORT: Provide window support as required by joinery manufacturer</p> |
|---|--|---|



- DENDRO is Southern Pine's premium product range of H3.2 treated, solid, clear weatherboards. Manufactured from high quality, pruned NZ Radiata Pine. Product warranty, 25 years if used in accordance with the Installation & Maintenance Guide.
- All Southern Pine Weatherboard profiles have been machined to be compliant with NZS 3617 and BRANZ BU411
- The Southern Pine Weatherboard System, if designed and installed as per the Installation & Maintenance Guide, will meet

- the following provisions of the New Zealand Building Code (NZBC):
- Clause B1 Structure: Performance B1.3.1, B1.3.2, B1.3.4 (a), (b), (c), (d) and (e) for the
 - Clause B2 Durability: Performance B2.3.1(b) and B2.3.2(b)
 - Clause E2 External Moisture: Performance E2.3.2, E2.3.3, E2.3.5, E2.3.7(b) and (c)
 - Clause F2 Hazardous Building Materials: Performance F2.3.1

- This Weatherboard System must be installed by a qualified trade person. Restricted Building Work (RBW) requires a Licensed Building Practitioner (LBP) or supervised by an LBP. It is the specifier's responsibility to ensure that the details are appropriate for the intended application and that additional detailing is obtained for a specific design or any areas that fall outside the scope of the Southern Pine Products & E2/AS1 Acceptable solution.

DETAILS MAY BE SUBJECT TO CHANGE WITHOUT NOTICE



TYPE Southern Pine Products - H3.2 Treatment
 Vertical Shiplap WB - Cavity Fix

NAME WINDOW SILL DETAILS



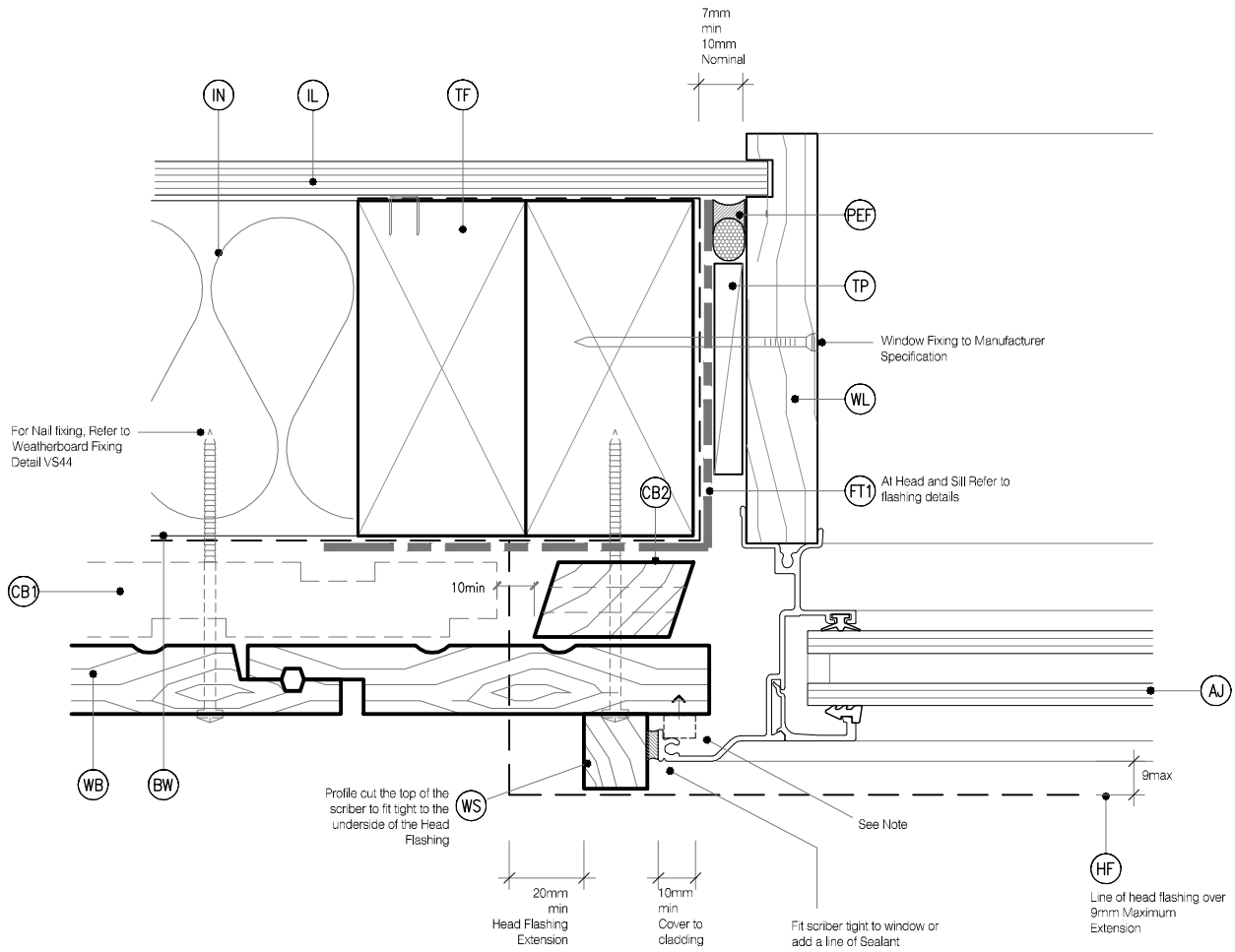
DRAWING SCALE
 1:2 @ A4

ISSUE DATE
 SEP 2023

DRAWING No SPP CF20 VS11
 REVISION

LEGEND :

- | | | |
|--|---|--|
| <p>(AJ) ALUMINIUM JOINERY: Selected double glazed aluminium joinery. To E2/AS1 9.1.10</p> <p>(BW) BUILDING WRAP: Flexible Wall Underlay, As per NZBC E2/AS1 - Table 23. In extra high wind zones, Rigid Underlay required (9.1.7.2 E2/AS1)</p> <p>(CB1) CAVITY BATTEN, HORIZONTAL - NON STRUCTURAL : 20mm x 45mm SP Radiata Pine H3.2. Castellated with a 18 degree bevelled slope. To form a 20mm cavity</p> <p>(CB2) CAVITY BATTEN, VERTICAL: 20mm x 45mm. To form a 20mm cavity. Standard H3.1 or castellated H3.2</p> <p>(CB3) CAVITY BATTEN, HORIZONTAL - STRUCTURALLY FIXED : 45mm x 45mm SP Radiata Pine, H3.2 70mm x 45mm SP Radiata Pine, H3.2 Castellated with a 18 degree bevelled slope. To form a 45mm cavity</p> | <p>(CC) CAVITY CLOSURE: Cavity closure strip, positioned to give a 15mm Min drip edge to cladding</p> <p>(FT1) FLASHING TAPE: Flashing tape over wrap 70mm (50 min) turn-down required in corners only. Refer to Fig. 72 of NZBC E2/AS1</p> <p>(FT2) FLEXIBLE FLASHING TAPE: Flexible flashing tape lapped over aluminium head flashing or 2nd layer of Building Wrap, taped joint to top of timber frame</p> <p>(HF) HEAD FLASHING: Aluminium head flashing with minimum 15 degree fall, optional hemmed edges as per table 7 E2/AS1</p> <p>(IL) INTERNAL LINING: Selected Internal Lining</p> <p>(IN) INSULATION: Selected Insulation</p> <p>(PEF) PEF ROD BACKING: Foam backing rod with sealant to cavity in Window perimeter that forms a waterproof air-seal. (Sealant 2:1 Ratio)</p> | <p>(TF) TIMBER FRAME: H1.2 min treated timber framing</p> <p>(TP) TIMBER PACKER: Tan H3.2 Treated Packer</p> <p>(WB) WEATHER BOARD: Southern Pine Vertical Shiplap Weatherboard. Profile to NZS 3617</p> <p>(WL) WINDOW LINER: As Specified</p> <p>(WH) WEATHERHEAD: (OPTIONAL) Southern Pine, Horizontal batten above window as necessary to suit profile, shaped to shed water, sealant to back of head scriber</p> <p>(WS) WINDOW SCRIBER: Southern Pine SDA18 x 18, sealant to back of SDA and 75 x 3.15mm 316 Stainless Steel nail in 3mm predrilled hole.</p> <p>(WZ) WANZ SUPPORT: Provide window support as required by joinery manufacturer</p> |
|--|---|--|



NOTE : No Scriber Option :
 The Aluminium Joinery must sit hard against the back of the joinery flange and the timber weatherboards with a E.P.S Compressible bond breaker foam seal between



- DENDRO is Southern Pine's premium product range of H3.2 treated, solid, clear weatherboards. Manufactured from high quality, pruned NZ Radiata Pine. Product warranty, 25 years if used in accordance with the Installation & Maintenance Guide.
- All Southern Pine Weatherboard profiles have been machined to be compliant with NZS 3617 and BRANZ BU411
- The Southern Pine Weatherboard System, if designed and installed as per the Installation & Maintenance Guide, will meet

- the following provisions of the New Zealand Building Code (NZBC):
- Clause B1 Structure: Performance B1.3.1, B1.3.2, B1.3.4 (a), (b), (c), (d) and (e) for the
 - Clause B2 Durability: Performance B2.3.1(b) and B2.3.2(b)
 - Clause E2 External Moisture: Performance E2.3.2, E2.3.3, E2.3.5, E2.3.7(b) and (c)
 - Clause F2 Hazardous Building Materials: Performance F2.3.1

- This Weatherboard System must be installed by a qualified trade person. Restricted Building Work (RBW) requires a Licensed Building Practitioner (LBP) or supervised by an LBP. It is the specifier's responsibility to ensure that the details are appropriate for the intended application and that additional detailing is obtained for a specific design or any areas that fall outside the scope of the Southern Pine Products & E2/AS1 Acceptable solution.

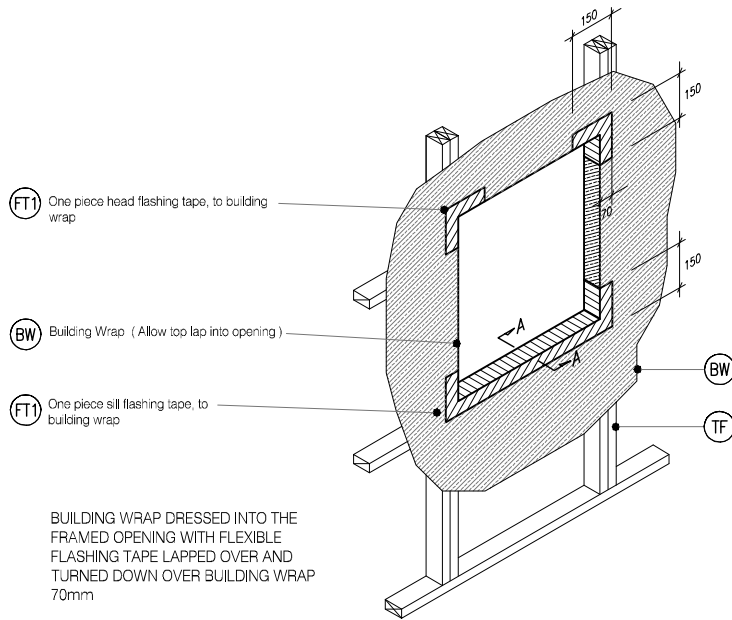
DETAILS MAY BE SUBJECT TO CHANGE WITHOUT NOTICE



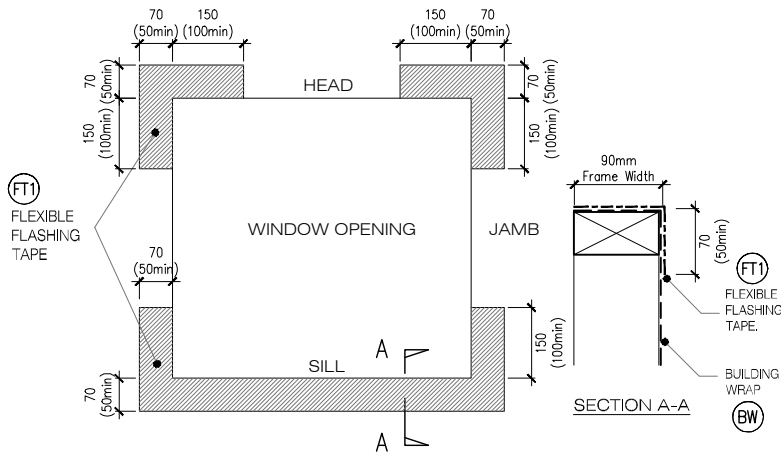
TYPE Southern Pine Products - H3.2 Treatment
 Vertical Shiplap WB - Cavity Fix
 NAME WINDOW JAMB DETAIL



DRAWING SCALE 1:2 @ A4	ISSUE DATE SEP 2023
DRAWING No SPP CF20 VS12	REVISION



W4 TYPICAL WINDOW OPENING (FLASHING TAPE)
 VS13 SCALE : N.T.S



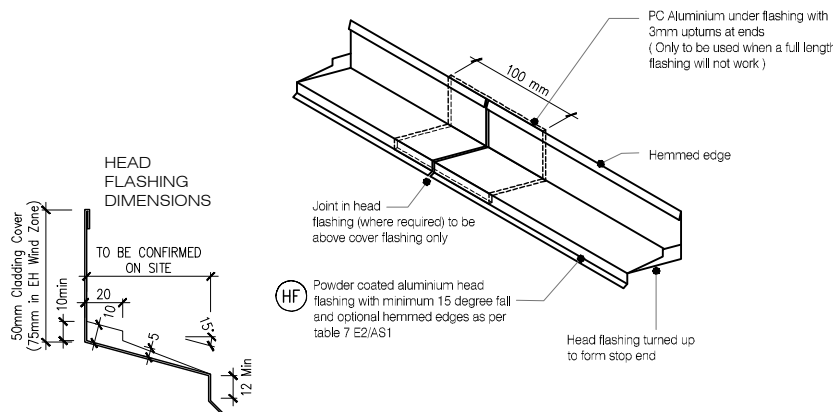
1. DENDRO® is Southern Pine's premium product range of H3.2 treated, solid, clear weatherboards. Manufactured from, high quality, pruned NZ Radiata Pine. Product warranty, 25 years if used in accordance with the Installation & Maintenance Guide.
2. All Southern Pine Weatherboard profiles have been machined to be compliant with NZS 3617 and BRANZ BU411
3. The Southern Pine Weatherboard System, if designed and installed as per the Installation & Maintenance Guide, will meet

the following provisions of the New Zealand Building Code (NZBC):

- Clause B1 Structure: Performance B1.3.1, B1.3.2, B1.3.4 (a), (b), (c), (d) and (e) for the
- Clause B2 Durability: Performance B2.3.1(b) and B2.3.2(b)
- Clause E2 External Moisture: Performance E2.3.2, E2.3.3, E2.3.5, E2.3.7(b) and (c)
- Clause F2 Hazardous Building Materials: Performance F2.3.1

4. This Weatherboard System must be installed by a qualified trade person. Restricted Building Work (RBW) requires a Licensed Building Practitioner (LBP) or supervised by an LBP. It is the specifier's responsibility to ensure that the details are appropriate for the intended application and that additional detailing is obtained for a specific design of any areas that fall outside the scope of the Southern Pine Products & E2/AS1 Acceptable solution.

W5 FLEXIBLE BUILDING WRAP AT OPENING
 VS13 SCALE : 1 / 5 @ A1, 1 / 10 @ A3



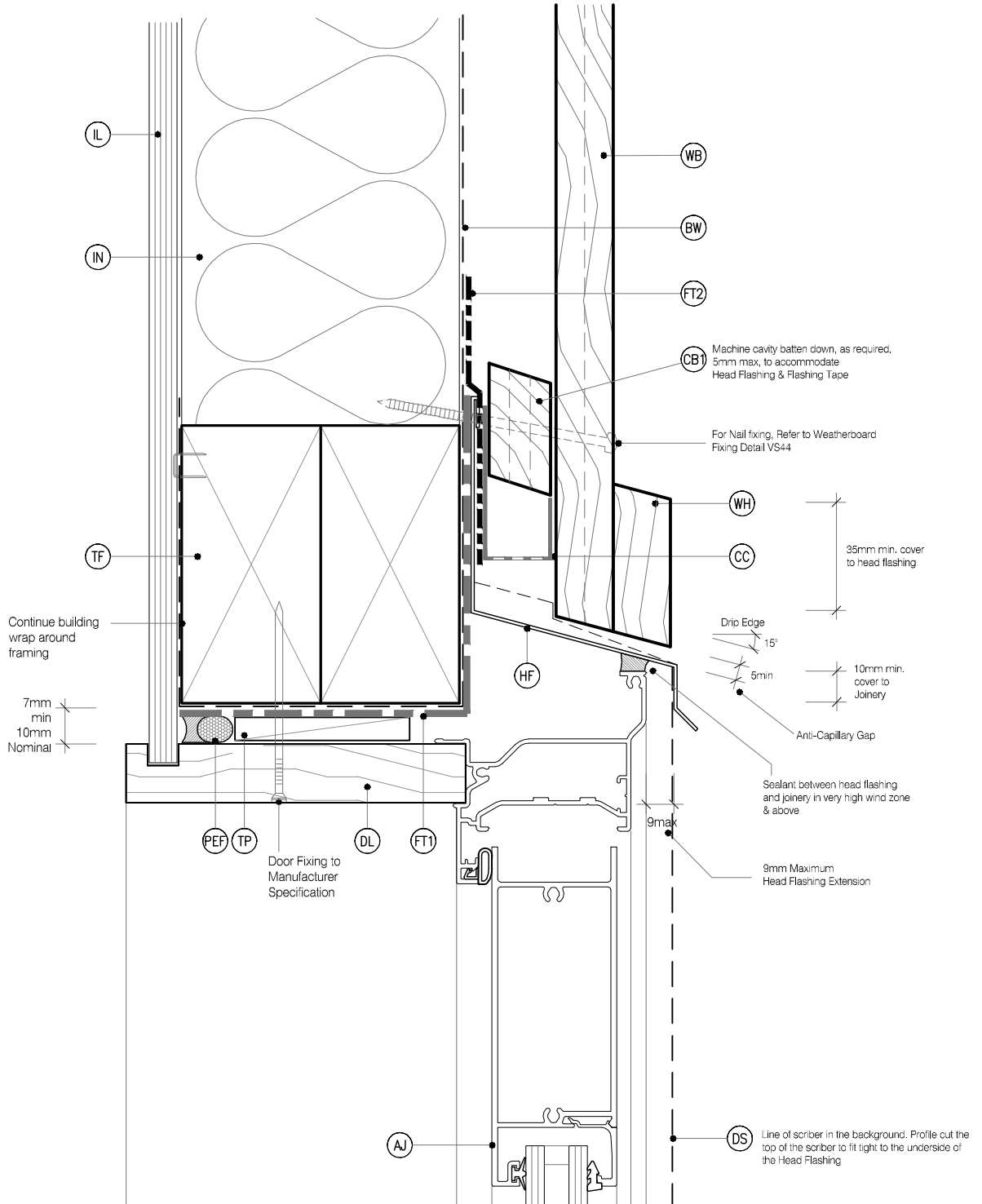
ONE PIECE PC ALUMINIUM HEAD FLASHING 15° SLOPE WITH 10mm min COVER TO JOINERY EXTEND 30mm min EITHER SIDE OF JOINERY WITH STOP ENDS

W6 TYPICAL HEAD & FLASHING JOINT
 VS13 SCALE : 1 / 2 @ A1, 1 / 4 @ A3

DETAILS MAY BE SUBJECT TO CHANGE WITHOUT NOTICE

LEGEND :

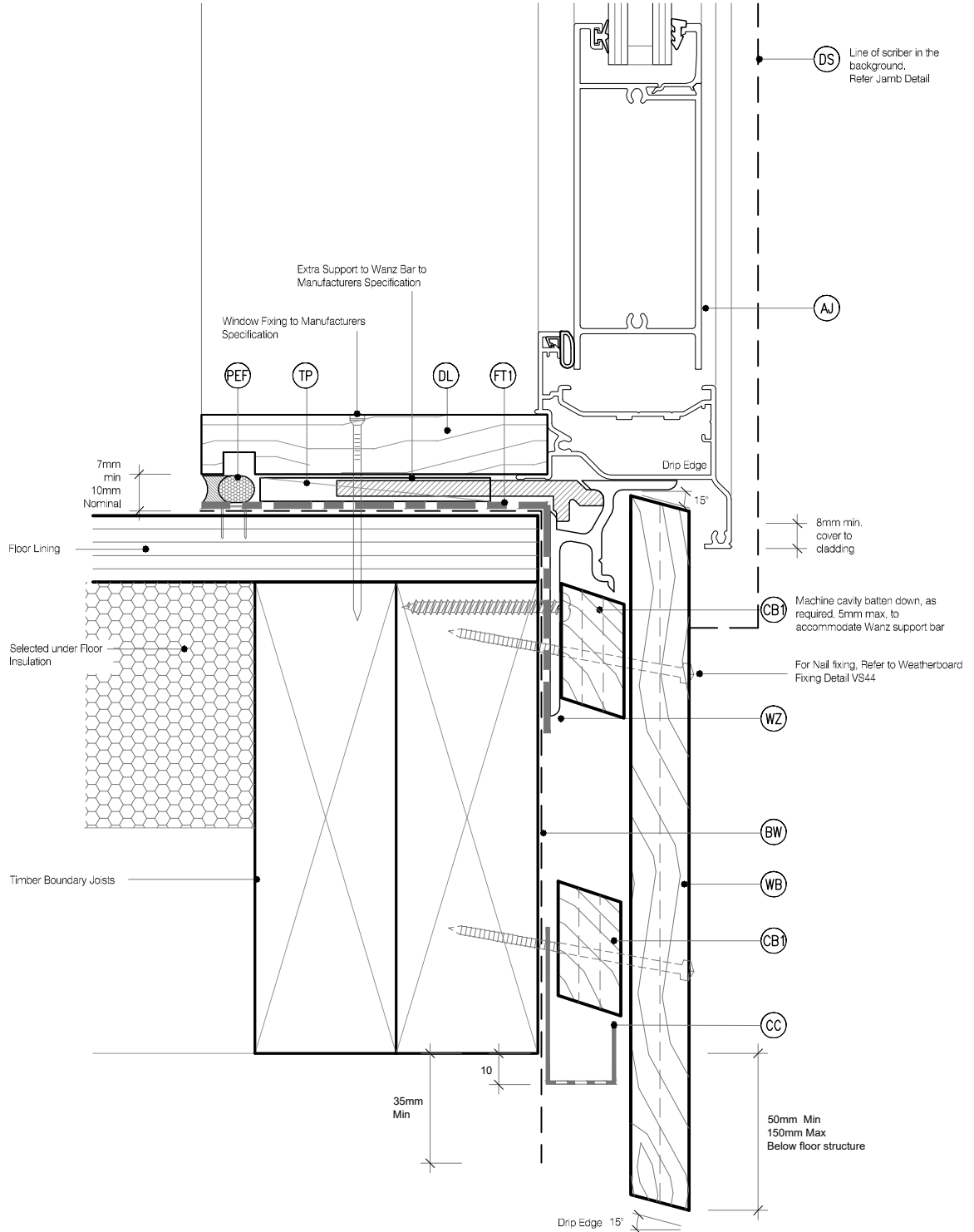
- | | | |
|---|--|---|
| <ul style="list-style-type: none"> (AJ) ALUMINIUM JOINERY: Selected double glazed aluminium joinery. To E2/AS1 9.1.10 (BW) BUILDING WRAP: Flexible Wall Underlay, As per NZBC E2/AS1 - Table 23. In extra high wind zones, Rigid Underlay required (9.1.7.2 E2/AS1) (CB1) CAVITY BATTEN, HORIZONTAL - NON STRUCTURAL : 20mm x 45mm SP Radiata Pine H3.2. Castellated with a 18 degree bevelled slope. To form a 20mm cavity (CB2) CAVITY BATTEN, VERTICAL: 20mm x 45mm. To form a 20mm cavity. Standard H3.1 or Castellated H3.2 (CB3) CAVITY BATTEN, HORIZONTAL - STRUCTURALLY FIXED : 45mm x 45mm SP Radiata Pine, H3.2 70mm x 45mm SP Radiata Pine, H3.2 Castellated with a 18 degree bevelled slope. To form a 45mm cavity | <ul style="list-style-type: none"> (CC) CAVITY CLOSURE: Cavity closure strip, positioned to give a 15mm Min drip edge to cladding (FT1) FLASHING TAPE: Flashing tape over wrap 70mm (50 min) turn-down required in corners only. Refer to Fig. 72 of NZBC E2/AS1 (FT2) FLEXIBLE FLASHING TAPE: Flexible flashing tape lapped over aluminium head flashing or 2nd layer of Building Wrap, taped joint to top of timber frame (HF) HEAD FLASHING: Aluminium head flashing with minimum 15 degree fall, optional hemmed edges as per table 7 E2/AS1 (IL) INTERNAL LINING: Selected Internal Lining (IN) INSULATION: Selected Insulation (PEF) PEF ROD BACKING: Foam backing rod with sealant to cavity in Window perimeter that forms a waterproof air-seal. (Sealant 2:1 Ratio) | <ul style="list-style-type: none"> (TF) TIMBER FRAME: H1.2 min treated timber framing (TP) TIMBER PACKER: Tan H3.2 Treated Packer (WB) WEATHER BOARD: Southern Pine Vertical Shiplap Weatherboard. Profile to NZS 3617 (DL) DOOR LINER: As Specified (WH) WEATHERHEAD: (OPTIONAL) Southern Pine, Horizontal batten above window as necessary to suit profile, shaped to shed water, sealant to back of head scriber (DS) DOOR SCRIBER: Southern Pine SDA18 x 18, sealant to back of SDA and 75 x 3.15mm 316 Stainless Steel nail in 3mm predrilled hole. (WZ) WANZ SUPPORT: Provide window support as required by joinery manufacturer |
|---|--|---|



DETAILS MAY BE SUBJECT TO CHANGE WITHOUT NOTICE

LEGEND :

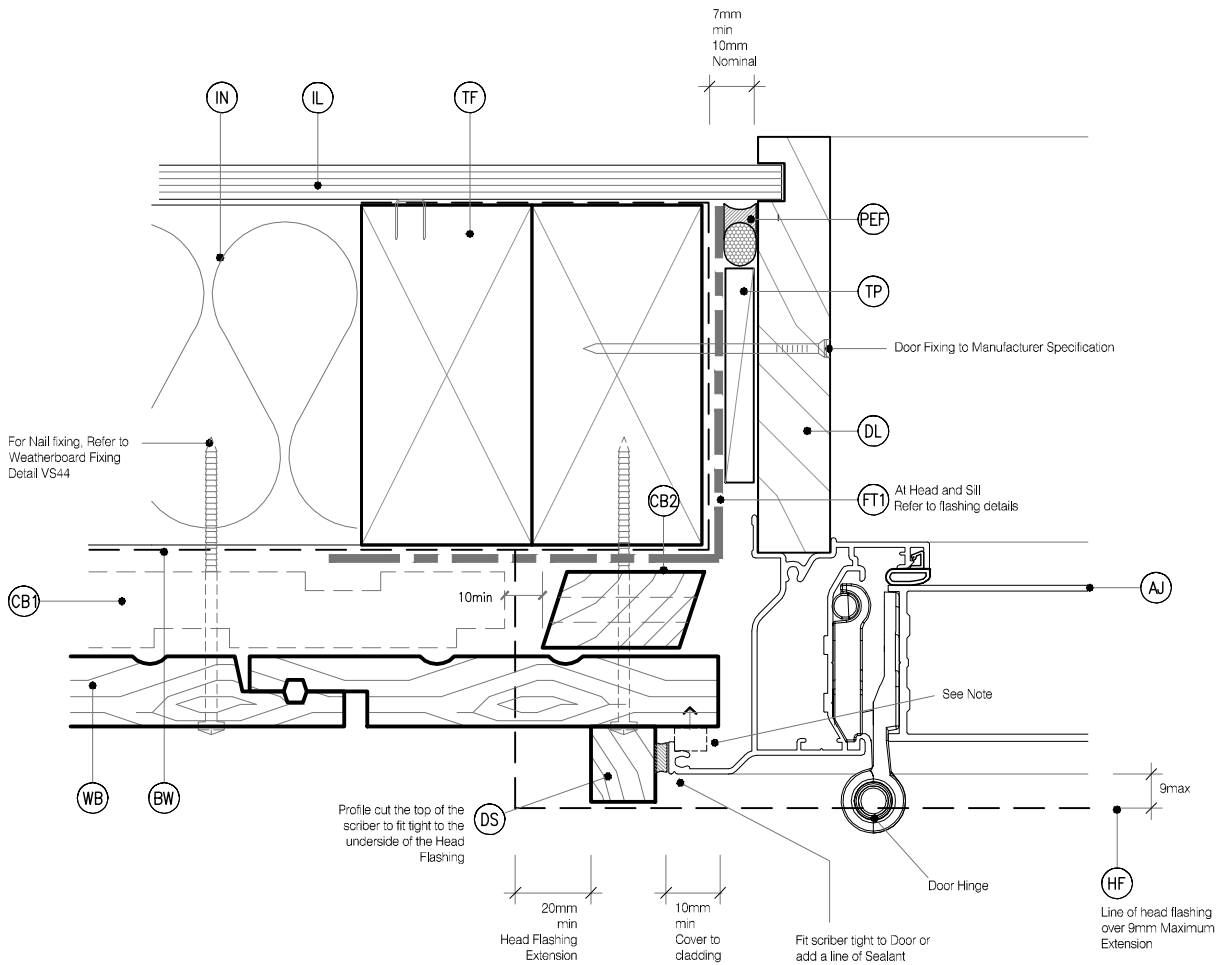
- | | | |
|---|--|---|
| <p>(AJ) ALUMINIUM JOINERY: Selected double glazed aluminium joinery. To E2/AS1 9.1.10</p> <p>(BW) BUILDING WRAP: Flexible Wall Underlay, As per NZBC E2/AS1 - Table 23. In extra high wind zones, Rigid Underlay required (9.1.7.2 E2/AS1)</p> <p>(CB1) CAVITY BATTEN, HORIZONTAL - NON STRUCTURAL : 20mm x 45mm SP Radiata Pine H3.2. Castellated with a 18 degree bevelled slope. To form a 20mm cavity</p> <p>(CB2) CAVITY BATTEN, VERTICAL: 20mm x 45mm. To form a 20mm cavity. Standard H3.1 or Castellated H3.2</p> <p>(CB3) CAVITY BATTEN, HORIZONTAL - STRUCTURALLY FIXED : 45mm x 45mm SP Radiata Pine, H3.2 70mm x 45mm SP Radiata Pine, H3.2 Castellated with a 18 degree bevelled slope. To form a 45mm cavity</p> | <p>(CC) CAVITY CLOSURE: Cavity closure strip, positioned to give a 15mm Min drip edge to cladding</p> <p>(FT1) FLASHING TAPE: Flashing tape over wrap 70mm (50 min) turn-down required in corners only. Refer to Fig. 72 of NZBC E2/AS1</p> <p>(FT2) FLEXIBLE FLASHING TAPE: Flexible flashing tape lapped over aluminium head flashing or 2nd layer of Building Wrap, taped joint to top of timber frame</p> <p>(HF) HEAD FLASHING: Aluminium head flashing with minimum 15 degree fall, optional hemmed edges as per table 7 E2/AS1</p> <p>(IL) INTERNAL LINING: Selected Internal Lining</p> <p>(IN) INSULATION: Selected Insulation</p> <p>(PEF) PEF ROD BACKING: Foam backing rod with sealant to cavity in Window perimeter that forms a waterproof air-seal. (Sealant 2:1 Ratio)</p> | <p>(TF) TIMBER FRAME: H1.2 min treated timber framing</p> <p>(TP) TIMBER PACKER: Tan H3.2 Treated Packer</p> <p>(WB) WEATHER BOARD: Southern Pine Vertical Shiplap Weatherboard. Profile to NZS 3617</p> <p>(DL) DOOR LINER: As Specified</p> <p>(WH) WEATHERHEAD: (OPTIONAL) Southern Pine, Horizontal batten above window as necessary to suit profile, shaped to shed water, sealant to back of head scriber</p> <p>(DS) DOOR SCRIBER: Southern Pine SDA18 x 18, sealant to back of SDA and 75 x 3.15mm 316 Stainless Steel nail in 3mm predrilled hole.</p> <p>(WZ) WANZ SUPPORT: Provide window support as required by joinery manufacturer</p> |
|---|--|---|



DETAILS MAY BE SUBJECT TO CHANGE WITHOUT NOTICE

LEGEND :

- | | | |
|---|--|---|
| <p>(AJ) ALUMINIUM JOINERY: Selected double glazed aluminium joinery. To E2/AS1 9.1.10</p> <p>(BW) BUILDING WRAP: Flexible Wall Underlay, As per NZBC E2/AS1 - Table 23. In extra high wind zones, Rigid Underlay required (9.1.7.2 E2/AS1)</p> <p>(CB1) CAVITY BATTEN, HORIZONTAL - NON STRUCTURAL : 20mm x 45mm SP Radiata Pine H3.2. Castellated with a 18 degree bevelled slope. To form a 20mm cavity</p> <p>(CB2) CAVITY BATTEN, VERTICAL: 20mm x 45mm. To form a 20mm cavity. Standard H3.1 or Castellated H3.2</p> <p>(CB3) CAVITY BATTEN, HORIZONTAL - STRUCTURALLY FIXED : 45mm x 45mm SP Radiata Pine, H3.2 70mm x 45mm SP Radiata Pine, H3.2 Castellated with a 18 degree bevelled slope. To form a 45mm cavity</p> | <p>(CC) CAVITY CLOSURE: Cavity closure strip, positioned to give a 15mm Min drip edge to cladding</p> <p>(FT1) FLASHING TAPE: Flashing tape over wrap 70mm (50 min) turn-down required in corners only. Refer to Fig. 72 of NZBC E2/AS1</p> <p>(FT2) FLEXIBLE FLASHING TAPE: Flexible flashing tape lapped over aluminium head flashing or 2nd layer of Building Wrap, taped joint to top of timber frame</p> <p>(HF) HEAD FLASHING: Aluminium head flashing with minimum 15 degree fall, optional hemmed edges as per table 7 E2/AS1</p> <p>(IL) INTERNAL LINING: Selected Internal Lining</p> <p>(IN) INSULATION: Selected Insulation</p> <p>(PEF) PEF ROD BACKING: Foam backing rod with sealant to cavity in Window perimeter that forms a waterproof air-seal. (Sealant 2:1 Ratio)</p> | <p>(TF) TIMBER FRAME: H1.2 min treated timber framing</p> <p>(TP) TIMBER PACKER: Tan H3.2 Treated Packer</p> <p>(WB) WEATHER BOARD: Southern Pine Vertical Shiplap Weatherboard. Profile to NZS 3617</p> <p>(DL) DOOR LINER: As Specified</p> <p>(WH) WEATHERHEAD: (OPTIONAL) Southern Pine, Horizontal batten above window as necessary to suit profile, shaped to shed water, sealant to back of head scriber</p> <p>(DS) DOOR SCRIBER: Southern Pine SDA18 x 18, sealant to back of SDA and 75 x 3.15mm 316 Stainless Steel nail in 3mm predrilled hole.</p> <p>(WZ) WANZ SUPPORT: Provide window support as required by joinery manufacturer</p> |
|---|--|---|



NOTE : No Scriber Option :
 The Aluminium Joinery must sit hard against the back of the joinery flange and the timber weatherboards with a E.P.S Compressible bond breaker foam seal between



DETAILS MAY BE SUBJECT TO CHANGE WITHOUT NOTICE

- DENDRO is Southern Pine's premium product range of H3.2 treated, solid, clear weatherboards. Manufactured from high quality, pruned NZ Radiata Pine. Product warranty, 25 years if used in accordance with the Installation & Maintenance Guide.
- All Southern Pine Weatherboard profiles have been machined to be compliant with NZS 3617 and BRANZ BU411
- The Southern Pine Weatherboard System, if designed and installed as per the Installation & Maintenance Guide, will meet

- the following provisions of the New Zealand Building Code (NZBC):
- Clause B1 Structure: Performance B1.3.1, B1.3.2, B1.3.4 (a), (b), (c), (d) and (e) for the
 - Clause B2 Durability: Performance B2.3.1(b) and B2.3.2(b)
 - Clause E2 External Moisture: Performance E2.3.2, E2.3.3, E2.3.5, E2.3.7(b) and (c)
 - Clause F2 Hazardous Building Materials: Performance F2.3.1

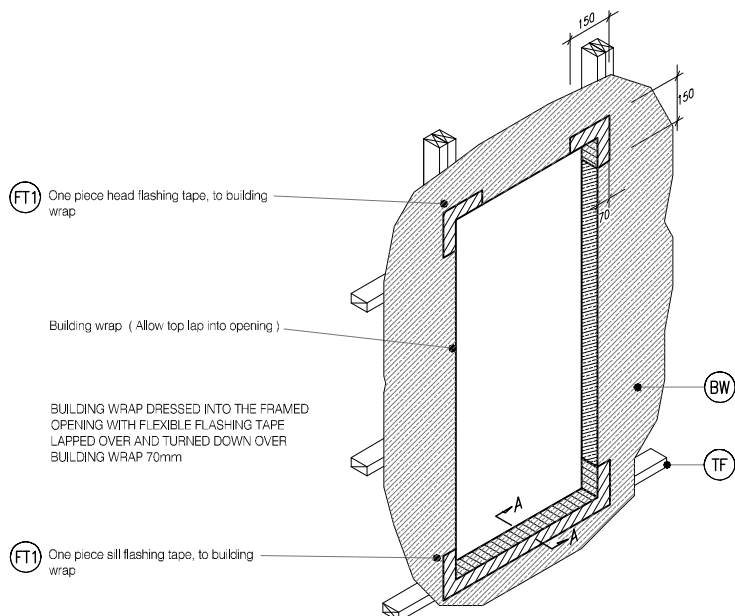
- This Weatherboard System must be installed by a qualified trade person. Restricted Building Work (RBW) requires a Licensed Building Practitioner (LBP) or supervised by an LBP. It is the specifier's responsibility to ensure that the details are appropriate for the intended application and that additional detailing is obtained for a specific design or any areas that fall outside the scope of the Southern Pine Products & E2/AS1 Acceptable solution.



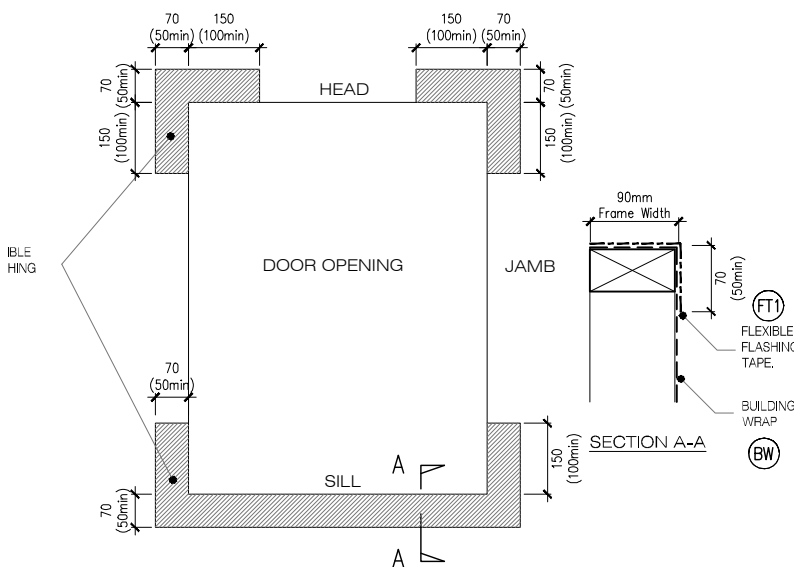
TYPE Southern Pine Products - H3.2 Treatment
 Vertical Shiplap WB - Cavity Fix
 NAME DOOR JAMB DETAIL



DRAWING SCALE	ISSUE DATE
1:2 @ A4	SEP 2023
DRAWING No	REVISION
SPP CF20 VS22	

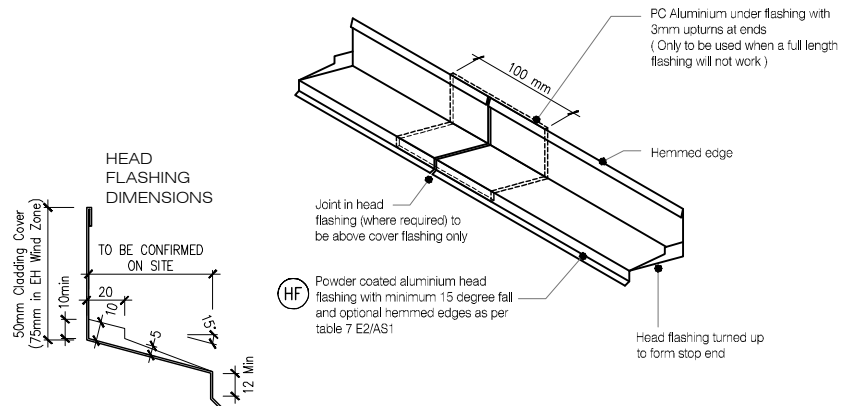


D4 TYPICAL DOOR OPENING (FLASHING TAPE)
 VS23 SCALE : N.T.S



1. DENDRO® is Southern Pine's premium product range of H3.2 treated, solid, clear weatherboards. Manufactured from, high quality, pruned NZ Radiata Pine. Product warranty, 25 years if used in accordance with the Installation & Maintenance Guide.
2. All Southern Pine Weatherboard profiles have been machined to be compliant with NZS 3617 and BRANZ BU411
3. The Southern Pine Weatherboard System, if designed and installed as per the Installation & Maintenance Guide, will meet the following provisions of the New Zealand Building Code (NZBC):
 - Clause B1 Structure: Performance B1.3.1, B1.3.2, B1.3.4 (a), (b), (c), (d) and (e) for the
 - Clause B2 Durability: Performance B2.3.1(b) and B2.3.2(b)
 - Clause E2 External Moisture: Performance E2.3.2, E2.3.3, E2.3.5, E2.3.7(b) and (c)
 - Clause F2 Hazardous Building Materials: Performance F2.3.1
4. This Weatherboard System must be installed by a qualified trade person. Restricted Building Work (RBW) requires a Licensed Building Practitioner (LBP) or supervised by an LBP. It is the specifier's responsibility to ensure that the details are appropriate for the intended application and that additional detailing is obtained for a specific design of any areas that fall outside the scope of the Southern Pine Products & E2/AS1 Acceptable solution.

D5 FLEXIBLE BUILDING WRAP AT OPENING
 VS23 SCALE : 1 / 5 @ A1, 1 / 10 @ A3

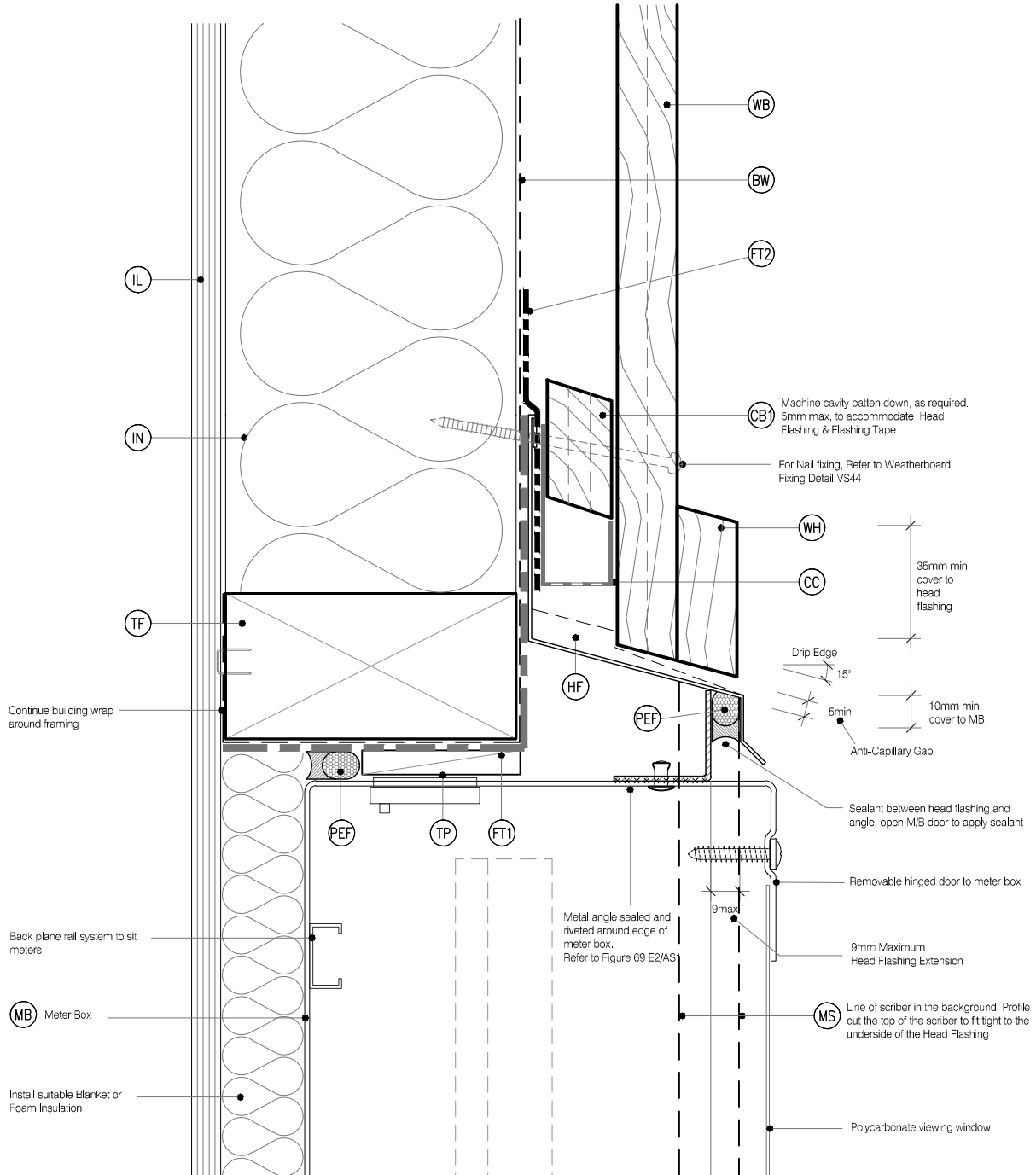


ONE PIECE PC ALUMINIUM HEAD FLASHING 15° SLOPE WITH 10mm min COVER TO JOINERY EXTEND 30mm min EITHER SIDE OF JOINERY WITH STOP ENDS

D6 TYPICAL HEAD & FLASHING JOINT
 VS23 SCALE : 1 / 2 @ A1, 1 / 4 @ A3

LEGEND :

- | | | |
|---|---|--|
| <ul style="list-style-type: none"> (MB) METER BOX: Electrical meter box, with removable hinged door and polycarbonate viewing window (BW) BUILDING WRAP: Flexible Wall Underlay, As per NZBC E2/AS1 - Table 23. In extra high wind zones, Rigid Underlay required (9.1.7.2 E2/AS1) (CB1) CAVITY BATTEN, HORIZONTAL - NON STRUCTURAL : 20mm x 45mm SP Radiata Pine H3.2. Castellated with a 18 degree bevelled slope. To form a 20mm cavity (CB2) CAVITY BATTEN, VERTICAL: 20mm x 45mm. To form a 20mm cavity. Standard H3.1 or Castellated H3.2 (CB3) CAVITY BATTEN, HORIZONTAL - STRUCTURALLY FIXED : 45mm x 45mm SP Radiata Pine, H3.2 70mm x 45mm SP Radiata Pine, H3.2 Castellated with a 18 degree bevelled slope. To form a 45mm cavity | <ul style="list-style-type: none"> (CC) CAVITY CLOSURE: Cavity closure strip, positioned to give a 15mm Min drip edge to cladding (FT1) FLASHING TAPE: Flashing tape over wrap 70mm (50 min) turn-down required in corners only. Refer to Fig. 72 of NZBC E2/AS1 (FT2) FLEXIBLE FLASHING TAPE: Flexible flashing tape lapped over aluminium head flashing or 2nd layer of Building Wrap, taped joint to top of timber frame (HF) HEAD FLASHING: Aluminium head flashing with minimum 15 degree fall, optional hemmed edges as per table 7 E2/AS1 (IL) INTERNAL LINING: Selected Internal Lining (IN) INSULATION: Selected Insulation (PEF) PEF ROD BACKING: Foam backing rod with sealant to cavity in Window perimeter that forms a waterproof air-seal. (Sealant 2:1 Ratio) | <ul style="list-style-type: none"> (TF) TIMBER FRAME: H1.2 min treated timber framing (TP) TIMBER PACKER: Tan H3.2 Treated Packer (WB) WEATHER BOARD: Southern Pine Vertical Shiplap Weatherboard, Profile to NZS 3617 (WL) WINDOW LINER: As Specified (WH) WEATHERHEAD: (OPTIONAL) Southern Pine, Horizontal batten above meter box as necessary to suit profile, shaped to shed water, sealant to back of head scriber (MS) METER BOX SCRIBER: Southern Pine SDA18x18, sealant to back of SDA and 75 x 3.15mm 316 Stainless Steel nail in 3mm predrilled hole. |
|---|---|--|



DETAILS MAY BE SUBJECT TO CHANGE WITHOUT NOTICE

1. DENDRO is Southern Pine's premium product range of H3.2 treated, solid, clear weatherboards. Manufactured from high quality, pruned NZ Radiata Pine. Product warranty, 25 years if used in accordance with the Installation & Maintenance Guide.
2. All Southern Pine Weatherboard profiles have been machined to be compliant with NZS 3617 and BRANZ BU411
3. The Southern Pine Weatherboard System, if designed and installed as per the Installation & Maintenance Guide, will meet

- the following provisions of the New Zealand Building Code (NZBC):
- Clause B1 Structure: Performance B1.3.1, B1.3.2, B1.3.4 (a), (b), (c), (d) and (e) for the
 - Clause B2 Durability: Performance B2.3.1(b) and B2.3.2(b)
 - Clause E2 External Moisture: Performance E2.3.2, E2.3.3, E2.3.5, E2.3.7(b) and (c)
 - Clause F2 Hazardous Building Materials: Performance F2.3.1

4. This Weatherboard System must be installed by a qualified trade person. Restricted Building Work (RBW) requires a Licensed Building Practitioner (LBP) or supervised by an LBP. It is the specifier's responsibility to ensure that the details are appropriate for the intended application and that additional detailing is obtained for a specific design or any areas that fall outside the scope of the Southern Pine Products & E2/AS1 Acceptable solution.



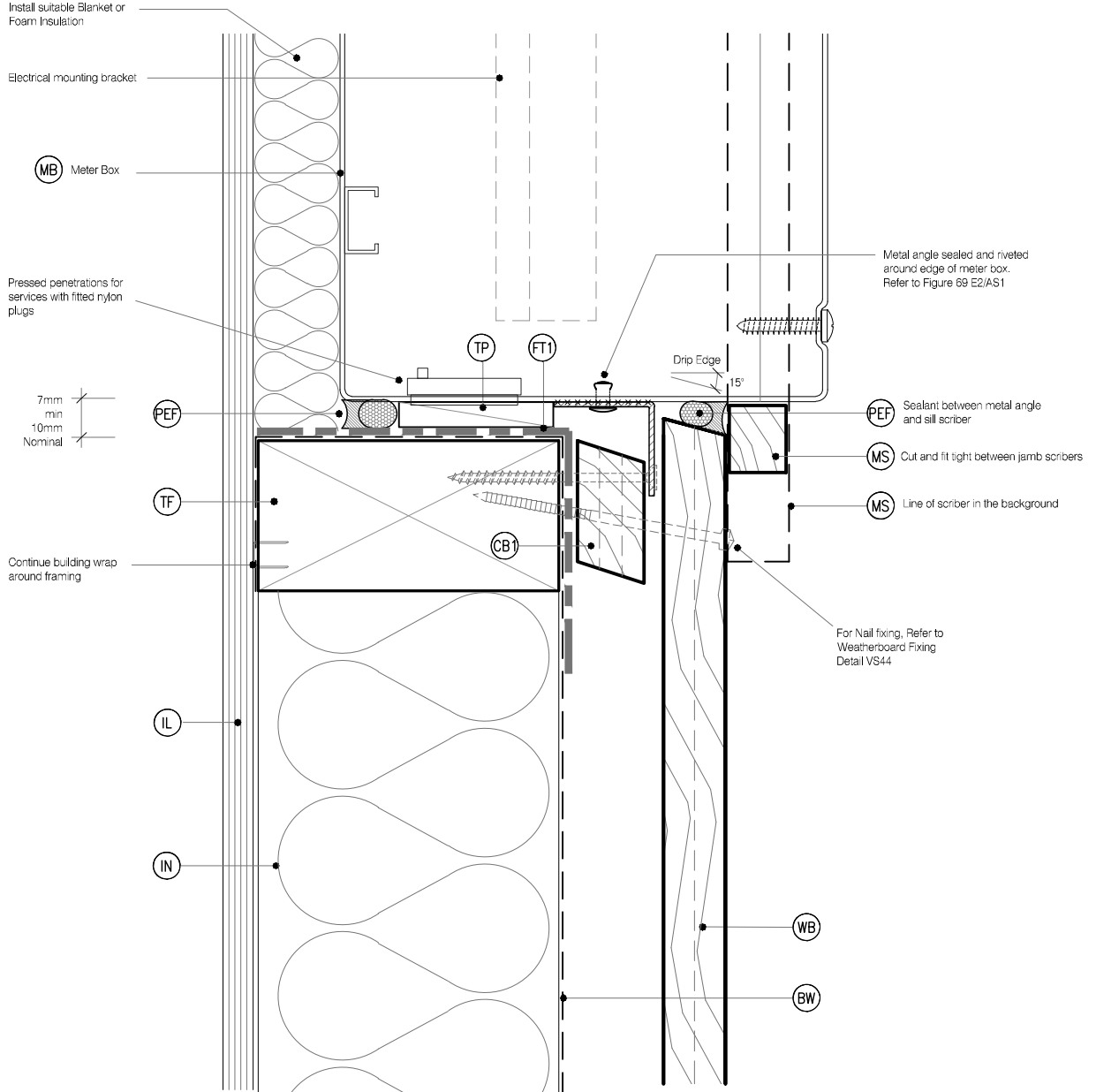
TYPE Southern Pine Products - H3.2 Treatment
 Vertical Shiplap WB - Cavity Fix
 NAME METER BOX HEAD DETAIL



DRAWING SCALE	ISSUE DATE
1:2 @ A4	SEP 2023
DRAWING No	REVISION
SPP CF20 VS30	

LEGEND :

- | | | |
|--|---|--|
| <ul style="list-style-type: none"> (MB) METER BOX: Electrical meter box, with removable hinged door and polycarbonate viewing window (BW) BUILDING WRAP: Flexible Wall Underlay, As per NZBC E2/AS1 - Table 23. In extra high wind zones, Ridgid Underlay required (9.1.7.2 E2/AS1) (CB1) CAVITY BATTEN, HORIZONTAL - NON STRUCTURAL : 20mm x 45mm SP Radiata Pine H3.2. Castellated with a 18 degree bevelled slope. To form a 20mm cavity (CB2) CAVITY BATTEN, VERTICAL: 20mm x 45mm. To form a 20mm cavity. Standard H3.1 or Castellated H3.2 (CB3) CAVITY BATTEN, HORIZONTAL - STRUCTURALLY FIXED : 45mm x 45mm SP Radiata Pine, H3.2 70mm x 45mm SP Radiata Pine, H3.2 Castellated with a 18 degree bevelled slope. To form a 45mm cavity | <ul style="list-style-type: none"> (CC) CAVITY CLOSURE: Cavity closure strip, positioned to give a 15mm Min drip edge to cladding (FT1) FLASHING TAPE: Flashing tape over wrap 70mm (50 min) turn-down required in corners only. Refer to Fig. 72 of NZBC E2/AS1 (FT2) FLEXIBLE FLASHING TAPE: Flexible flashing tape lapped over aluminium head flashing or 2nd layer of Building Wrap, taped joint to top of timber frame (HF) HEAD FLASHING: Aluminium head flashing with minimum 15 degree fall, optional hemmed edges as per table 7 E2/AS1 (IL) INTERNAL LINING: Selected Internal Lining (IN) INSULATION: Selected Insulation (PEF) PEF ROD BACKING: Foam backing rod with sealant to cavity in Window perimeter that forms a waterproof air-seal. (Sealant 2:1 Ratio) | <ul style="list-style-type: none"> (TF) TIMBER FRAME: H1.2 min treated timber framing (TP) TIMBER PACKER: Tan H3.2 Treated Packer (WB) WEATHER BOARD: Southern Pine Vertical Shiplap Weatherboard. Profile to NZS 3617 (WL) WINDOW LINER: As Specified (WH) WEATHERHEAD: (OPTIONAL) Southern Pine, Horizontal batten above meter box as necessary to suit profile, shaped to shed water, sealant to back of head scriber (MS) METER BOX SCRIBER: Southern Pine SDA18x18, sealant to back of SDA and 75 x 3.15mm 316 Stainless Steel nail in 3mm predrilled hole. |
|--|---|--|



- DENDRO is Southern Pine's premium product range of H3.2 treated, solid, clear weatherboards. Manufactured from high quality, pruned NZ Radiata Pine. Product warranty, 25 years if used in accordance with the Installation & Maintenance Guide.
- All Southern Pine Weatherboard profiles have been machined to be compliant with NZS 3617 and BRANZ BU411
- The Southern Pine Weatherboard System, if designed and installed as per the Installation & Maintenance Guide, will meet

- the following provisions of the New Zealand Building Code (NZBC):
- Clause B1 Structure: Performance B1.3.1, B1.3.2, B1.3.4 (a), (b), (c), (d) and (e) for the
 - Clause B2 Durability: Performance B2.3.1(b) and B2.3.2(b)
 - Clause E2 External Moisture: Performance E2.3.2, E2.3.3, E2.3.5, E2.3.7(b) and (c)
 - Clause F2 Hazardous Building Materials: Performance F2.3.1

- This Weatherboard System must be installed by a qualified trade person. Restricted Building Work (RBW) requires a Licensed Building Practitioner (LBP) or supervised by an LBP. It is the specifier's responsibility to ensure that the details are appropriate for the intended application and that additional detailing is obtained for a specific design or any areas that fall outside the scope of the Southern Pine Products & E2/AS1 Acceptable solution.

DETAILS MAY BE SUBJECT TO CHANGE WITHOUT NOTICE



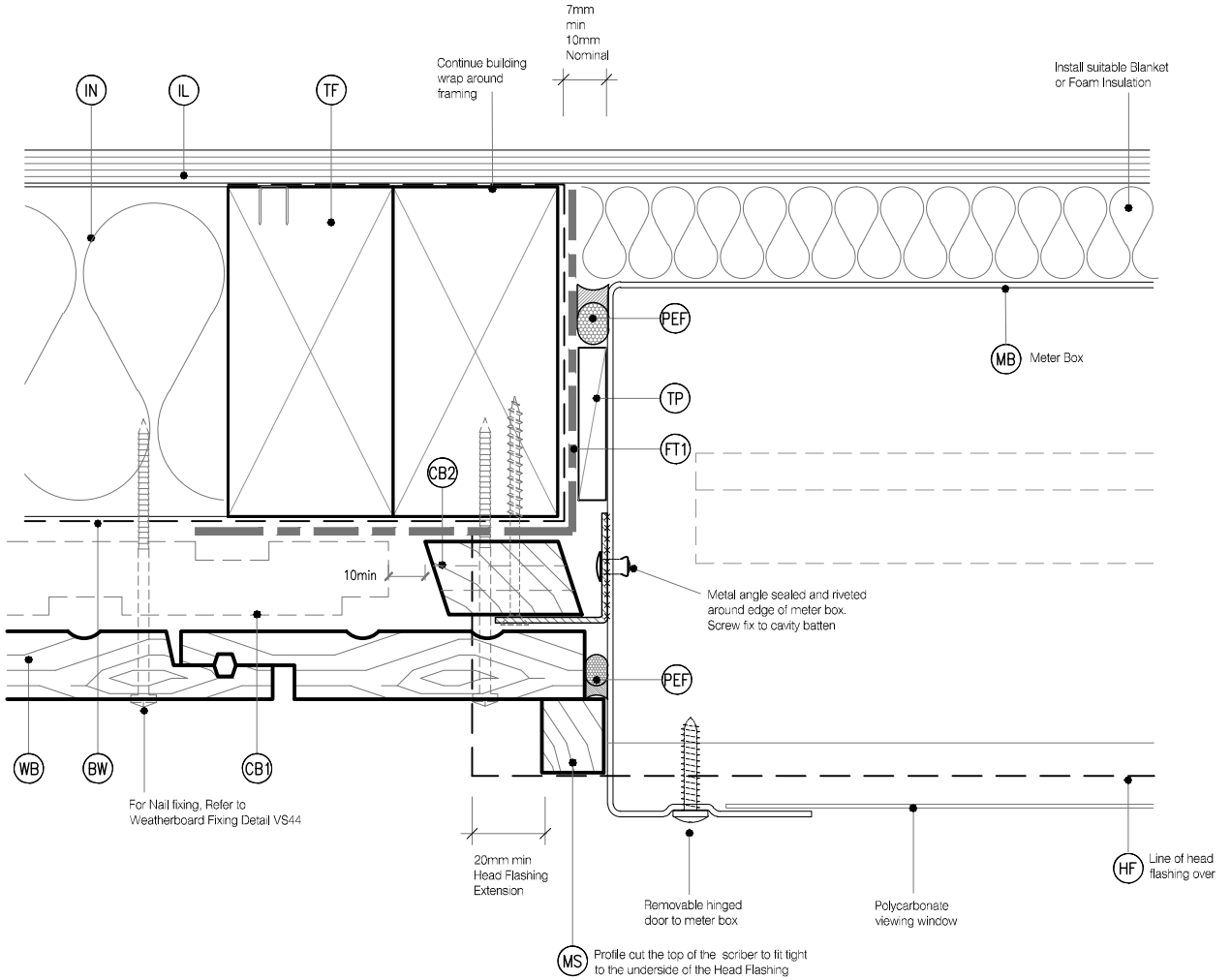
TYPE Southern Pine Products - H3.2 Treatment
 Vertical Shiplap WB - Cavity Fix
 NAME METER BOX SILL DETAIL



DRAWING SCALE	ISSUE DATE
1:2 @ A4	SEP 2023
DRAWING No	REVISION
SPP CF20 VS31	

LEGEND :

- | | | |
|--|--|--|
| <p>(MB) METER BOX: Electrical meter box, with removable hinged door and polycarbonate viewing window</p> <p>(BW) BUILDING WRAP: Flexible Wall Underlay, As per NZBC E2/AS1 - Table 23, In extra high wind zones, Rigid Underlay required (9.1.7.2 E2/AS1)</p> <p>(CB1) CAVITY BATTEN, HORIZONTAL - NON STRUCTURAL : 20mm x 45mm SP Radiata Pine H3.2, Castellated with a 18 degree bevelled slope. To form a 20mm cavity</p> <p>(CB2) CAVITY BATTEN, VERTICAL: 20mm x 45mm. To form a 20mm cavity. Standard H3.1 or Castellated H3.2</p> <p>(CB3) CAVITY BATTEN, HORIZONTAL - STRUCTURALLY FIXED : 45mm x 45mm SP Radiata Pine, H3.2 70mm x 45mm SP Radiata Pine, H3.2 Castellated with a 18 degree bevelled slope. To form a 45mm cavity</p> | <p>(CC) CAVITY CLOSURE: Cavity closure strip, positioned to give a 15mm Min drip edge to cladding</p> <p>(FT1) FLASHING TAPE: Flashing tape over wrap 70mm (50 min) turn-down required in corners only. Refer to Fig. 72 of NZBC E2/AS1</p> <p>(FT2) FLEXIBLE FLASHING TAPE: Flexible flashing tape lapped over aluminium head flashing or 2nd layer of Building Wrap, taped joint to top of timber frame</p> <p>(HF) HEAD FLASHING: Aluminium head flashing with minimum 15 degree fall, optional hemmed edges as per table 7 E2/AS1</p> <p>(IL) INTERNAL LINING: Selected Internal Lining</p> <p>(IN) INSULATION: Selected Insulation</p> <p>(PEF) PEF ROD BACKING: Foam backing rod with sealant to cavity in Window perimeter that forms a waterproof air-seal. (Sealant 2:1 Ratio)</p> | <p>(TF) TIMBER FRAME: H1.2 min treated timber framing</p> <p>(TP) TIMBER PACKER: Tan H3.2 Treated Packer</p> <p>(WB) WEATHER BOARD: Southern Pine Vertical Shiplap Weatherboard, Profile to NZS 3617</p> <p>(WL) WINDOW LINER: As Specified</p> <p>(WH) WEATHERHEAD: (OPTIONAL) Southern Pine, Horizontal batten above meter box as necessary to suit profile, shaped to shed water, sealant to back of head scribe</p> <p>(MS) METER BOX SCRIBER: Southern Pine SDA18x18, sealant to back of SDA and 75 x 3.15mm 316 Stainless Steel nail in 3mm predrilled hole.</p> |
|--|--|--|



DETAILS MAY BE SUBJECT TO CHANGE WITHOUT NOTICE

- DENDRO is Southern Pine's premium product range of H3.2 treated, solid, clear weatherboards. Manufactured from high quality, pruned NZ Radiata Pine. Product warranty, 25 years if used in accordance with the Installation & Maintenance Guide.
- All Southern Pine Weatherboard profiles have been machined to be compliant with NZS 3617 and BRANZ BU411
- The Southern Pine Weatherboard System, if designed and installed as per the Installation & Maintenance Guide, will meet

the following provisions of the New Zealand Building Code (NZBC):

- Clause B1 Structure: Performance B1.3.1, B1.3.2, B1.3.4 (a), (b), (c), (d) and (e) for the
- Clause B2 Durability: Performance B2.3.1(b) and B2.3.2(b)
- Clause E2 External Moisture: Performance E2.3.2, E2.3.3, E2.3.5, E2.3.7(b) and (c)
- Clause F2 Hazardous Building Materials: Performance F2.3.1

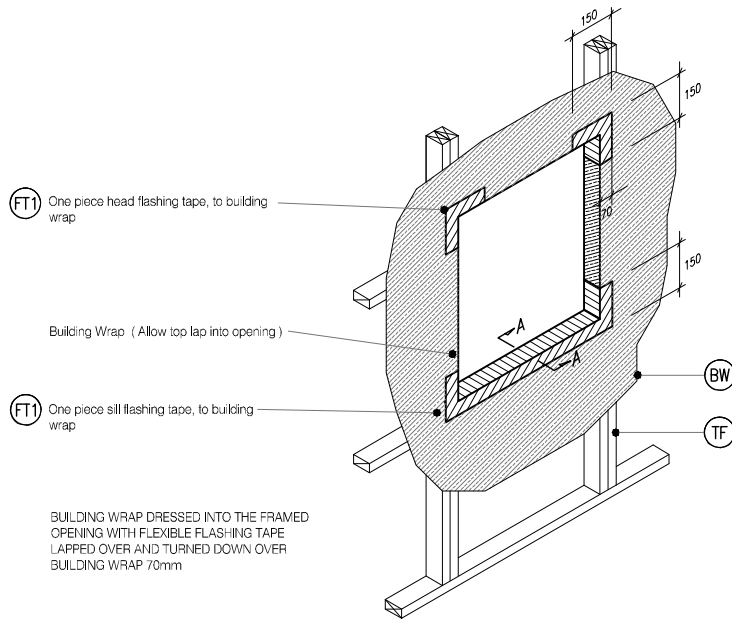
- This Weatherboard System must be installed by a qualified trade person. Restricted Building Work (RBW) requires a Licensed Building Practitioner (LBP) or supervised by an LBP. It is the specifier's responsibility to ensure that the details are appropriate for the intended application and that additional detailing is obtained for a specific design or any areas that fall outside the scope of the Southern Pine Products & E2/AS1 Acceptable solution.



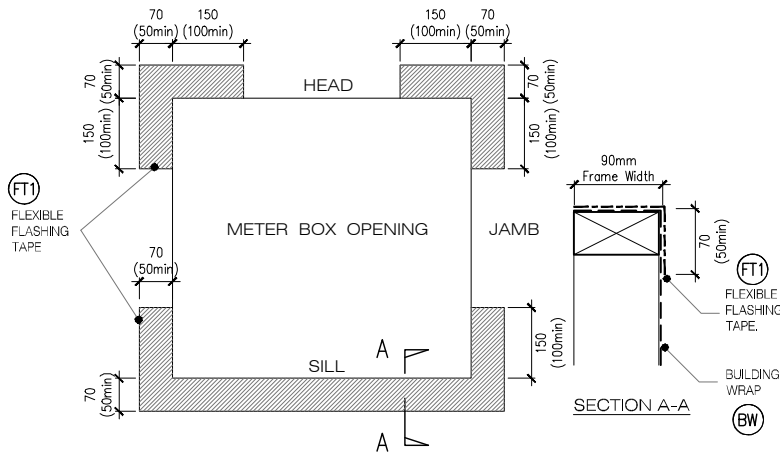
TYPE Southern Pine Products - H3.2 Treatment
 Vertical Shiplap WB - Cavity Fix
 NAME METER BOX JAMB DETAIL



DRAWING SCALE	ISSUE DATE
1:2 @ A4	SEP 2023
DRAWING No	REVISION
SPP CF20 VS32	



M4 TYPICAL METER BOX OPENING (FLASHING TAPE)
 VS33 SCALE : N.T.S



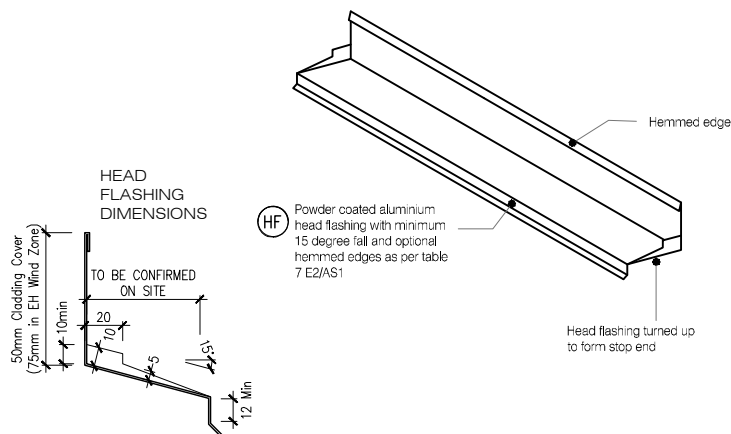
1. DENDRO® is Southern Pine's premium product range of H3.2 treated, solid, clear weatherboards. Manufactured from, high quality, pruned NZ Radiata Pine. Product warranty, 25 years if used in accordance with the Installation & Maintenance Guide.
2. All Southern Pine Weatherboard profiles have been machined to be compliant with NZS 3617 and BRANZ BU411
3. The Southern Pine Weatherboard System, if designed and installed as per the Installation & Maintenance Guide, will meet

the following provisions of the New Zealand Building Code (NZBC):

- Clause B1 Structure: Performance B1.3.1, B1.3.2, B1.3.4 (a), (b), (c), (d) and (e) for the
- Clause B2 Durability: Performance B2.3.1(b) and B2.3.2(b)
- Clause E2 External Moisture: Performance E2.3.2, E2.3.3, E2.3.5, E2.3.7(b) and (c)
- Clause F2 Hazardous Building Materials: Performance F2.3.1

4. This Weatherboard System must be installed by a qualified trade person. Restricted Building Work (RBW) requires a Licensed Building Practitioner (LBP) or supervised by an LBP. It is the specifier's responsibility to ensure that the details are appropriate for the intended application and that additional detailing is obtained for a specific design of any areas that fall outside the scope of the Southern Pine Products & E2/AS1 Acceptable solution.

M5 FLEXIBLE BUILDING WRAP AT OPENING
 VS33 SCALE : 1 / 5 @ A1, 1 / 10 @ A3



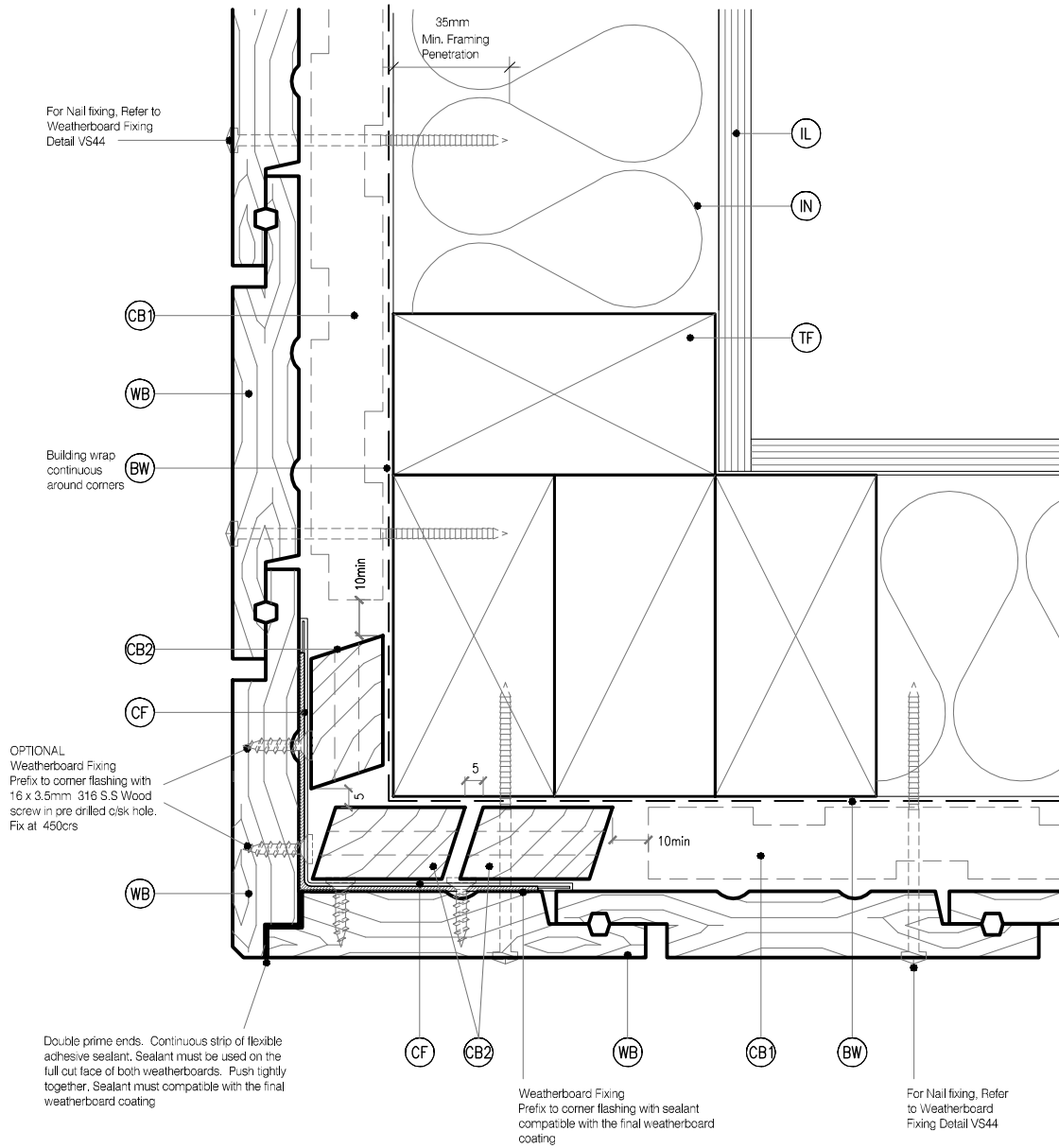
ONE PIECE PC ALUMINIUM HEAD FLASHING 15° SLOPE WITH 10mm min COVER TO JOINERY EXTEND 30mm min EITHER SIDE OF JOINERY WITH STOP ENDS

M6 TYPICAL HEAD & FLASHING JOINT
 VS33 SCALE : 1 / 2 @ A1, 1 / 4 @ A3

DETAILS MAY BE SUBJECT TO CHANGE WITHOUT NOTICE

LEGEND :

- | | | |
|---|---|--|
| <p>(BW) BUILDING WRAP: Flexible Wall Underlay, As per NZBC E2/AS1 - Table 23, In extra high wind zones, Rigid Underlay required (9.1.7.2 E2/AS1)</p> <p>(CB1) CAVITY BATTEN, HORIZONTAL - NON STRUCTURAL : 20mm x 45mm SP Radiata Pine H3.2, Castellated with a 18 degree bevelled slope. To form a 20mm cavity</p> <p>(CB2) CAVITY BATTEN, VERTICAL: 20mm x 45mm. To form a 20mm cavity. Standard H3.1 or castellated H3.2</p> <p>(IN) INSULATION: Selected Insulation</p> | <p>(CB3) CAVITY BATTEN, HORIZONTAL - STRUCTURALLY FIXED : 45mm x 45mm SP Radiata Pine, H3.2
70mm x 45mm SP Radiata Pine, H3.2
Castellated with a 18 degree bevelled slope. To form a 45mm cavity</p> <p>(CC) CAVITY CLOSURE: Cavity closure strip, positioned to give a 15mm Min drip edge to cladding</p> <p>(FT3) FLEXIBLE FLASHING TAPE: Flexible flashing tape lapped into corner, Refer NZBC E2/AS1 4.3.11
Flashing tape is recommended due to movement that may occur in corners. Not required by E2/AS1</p> | <p>(CF) CORNER FLASHING: Aluminium, PVC or Stainless Steel corner flashing. Refer NZBC E2/AS1 4.3
50x50 Hem or Hook to Flashing Edges
75x75 NO, Hem or Hook Required
EXTRA HIGH WIND ZONE
100x100 Hem or Hook to Flashing Edges, Refer NZBC E2/AS1 4.5.1</p> <p>(TF) TIMBER FRAME: H1.2 min Treated timber framing</p> <p>(IL) INTERNAL LINING: Selected Internal Lining</p> <p>(WB) WEATHER BOARD: Southern Pine Vertical Shiplap Weatherboard. Profile to NZS 3617</p> |
|---|---|--|



- DENDRO is Southern Pine's premium product range of H3.2 treated, solid, clear weatherboards. Manufactured from high quality, pruned NZ Radiata Pine. Product warranty, 25 years if used in accordance with the Installation & Maintenance Guide.
- All Southern Pine Weatherboard profiles have been machined to be compliant with NZS 3617 and BRANZ BU411
- The Southern Pine Weatherboard System, if designed and installed as per the Installation & Maintenance Guide, will meet

- the following provisions of the New Zealand Building Code (NZBC):
- Clause B1 Structure: Performance B1.3.1, B1.3.2, B1.3.4 (a), (b), (c), (d) and (e) for the
 - Clause B2 Durability: Performance B2.3.1(b) and B2.3.2(b)
 - Clause E2 External Moisture: Performance E2.3.2, E2.3.3, E2.3.5, E2.3.7(b) and (c)
 - Clause F2 Hazardous Building Materials: Performance F2.3.1

- This Weatherboard System must be installed by a qualified trade person. Restricted Building Work (RBW) requires a Licensed Building Practitioner (LBP) or supervised by an LBP. It is the specifier's responsibility to ensure that the details are appropriate for the intended application and that additional detailing is obtained for a specific design or any areas that fall outside the scope of the Southern Pine Products & E2/AS1 Acceptable solution.

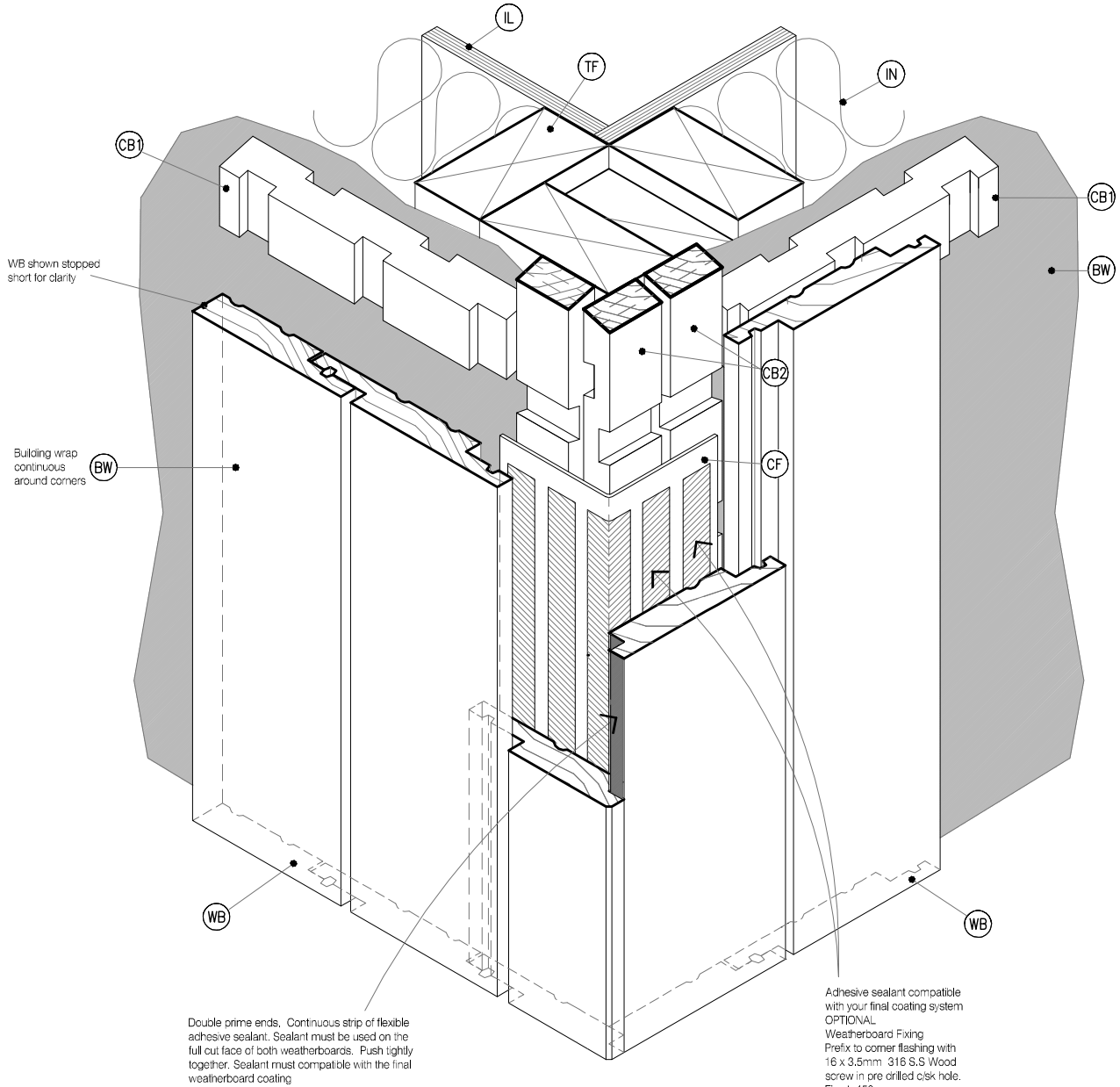
TYPE Southern Pine Products - H3.2 Treatment
 Vertical Shiplap WB - Cavity Fix
 NAME EXTERNAL CORNER



DRAWING SCALE	ISSUE DATE
1:2 @ A4	SEP 2023
DRAWING No	REVISION
SPP CF20 VS40	

LEGEND :

- | | | |
|---|---|--|
| <p>(BW) BUILDING WRAP: Flexible Wall Underlay, As per NZBC E2/AS1 - Table 23, in extra high wind zones, Rigid Underlay required (9.1.7.2 E2/AS1)</p> <p>(CB1) CAVITY BATTEN, HORIZONTAL - NON STRUCTURAL : 20mm x 45mm SP Radiata Pine H3.2, Castellated with a 18 degree bevelled slope. To form a 20mm cavity</p> <p>(CB2) CAVITY BATTEN, VERTICAL: 20mm x 45mm. To form a 20mm cavity. Standard H3.1 or castellated H3.2</p> <p>(IN) INSULATION: Selected Insulation</p> | <p>(CB3) CAVITY BATTEN, HORIZONTAL - STRUCTURALLY FIXED : 45mm x 45mm SP Radiata Pine, H3.2 70mm x 45mm SP Radiata Pine, H3.2 Castellated with a 18 degree bevelled slope. To form a 45mm cavity</p> <p>(CC) CAVITY CLOSURE: Cavity closure strip, positioned to give a 15mm Min drip edge to cladding</p> <p>(FT3) FLEXIBLE FLASHING TAPE: Flexible flashing tape lapped into corner, Refer NZBC E2/AS1 4.3.11 Flashing tape is recommended due to movement that may occur in corners. Not required by E2/AS1</p> | <p>(CF) CORNER FLASHING: Aluminium, PVC or Stainless Steel corner flashing. Refer NZBC E2/AS1 4.3 50x50 Hem or Hook to Flashing Edges 75x75 NO. Hem or Hook Required EXTRA HIGH WIND ZONE 100x100 Hem or Hook to Flashing Edges, Refer NZBC E2/AS1 4.5.1</p> <p>(TF) TIMBER FRAME: H1.2 min Treated timber framing</p> <p>(IL) INTERNAL LINING: Selected Internal Lining</p> <p>(WB) WEATHER BOARD: Southern Pine Vertical Shiplap Weatherboard. Profile to NZS 3617</p> |
|---|---|--|



DETAILS MAY BE SUBJECT TO CHANGE WITHOUT NOTICE

- DENDRO is Southern Pine's premium product range of H3.2 treated, solid, clear weatherboards. Manufactured from high quality, pruned NZ Radiata Pine. Product warranty, 25 years if used in accordance with the Installation & Maintenance Guide.
- All Southern Pine Weatherboard profiles have been machined to be compliant with NZS 3617 and BRANZ BU411
- The Southern Pine Weatherboard System, if designed and installed as per the Installation & Maintenance Guide, will meet

the following provisions of the New Zealand Building Code (NZBC):

- Clause B1 Structure: Performance B1.3.1, B1.3.2, B1.3.4 (a), (b), (c), (d) and (e) for the
- Clause B2 Durability: Performance B2.3.1(b) and B2.3.2(b)
- Clause E2 External Moisture: Performance E2.3.2, E2.3.3, E2.3.5, E2.3.7(b) and (c)
- Clause F2 Hazardous Building Materials: Performance F2.3.1

- This Weatherboard System must be installed by a qualified trade person. Restricted Building Work (RBW) requires a Licensed Building Practitioner (LBP) or supervised by an LBP. It is the specifier's responsibility to ensure that the details are appropriate for the intended application and that additional detailing is obtained for a specific design or any areas that fall outside the scope of the Southern Pine Products & E2/AS1 Acceptable solution.



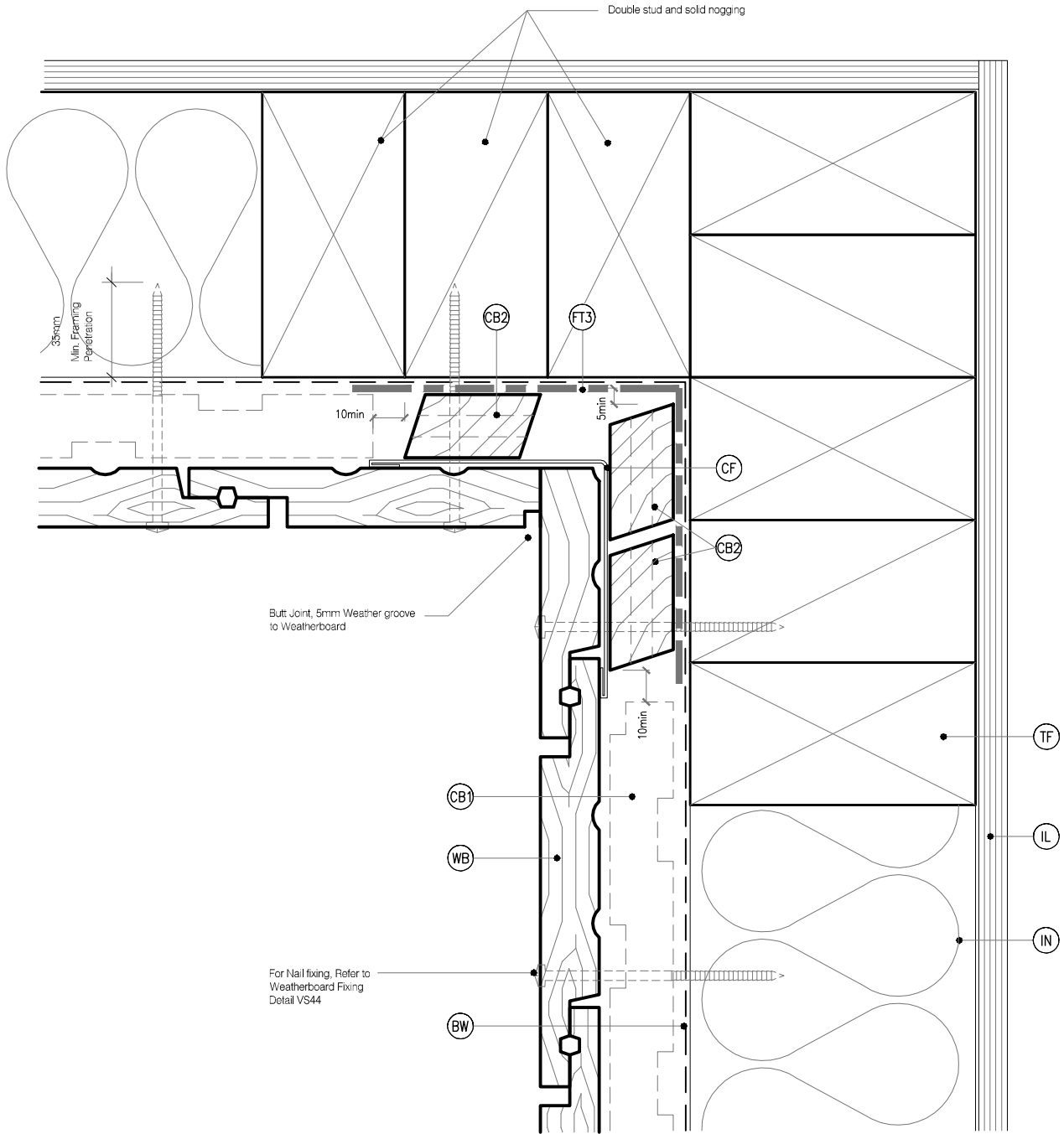
TYPE Southern Pine Products - H3.2 Treatment
 Vertical Shiplap WB - Cavity Fix
 NAME 3D EXTERNAL CORNER



DRAWING SCALE 1:2 @ A4	ISSUE DATE SEP 2023
DRAWING No SPP CF20 VS41	REVISION

LEGEND :

- | | | |
|---|---|--|
| <p>(BW) BUILDING WRAP: Flexible Wall Underlay, As per NZBC E2/AS1 - Table 23, In extra high wind zones, Rigid Underlay required (9.1.7.2 E2/AS1)</p> <p>(CB1) CAVITY BATTEN, HORIZONTAL - NON STRUCTURAL : 20mm x 45mm SP Radiata Pine H3.2, Castellated with a 18 degree bevelled slope. To form a 20mm cavity</p> <p>(CB2) CAVITY BATTEN, VERTICAL: 20mm x 45mm. To form a 20mm cavity. Standard H3.1 or castellated H3.2</p> <p>(IN) INSULATION: Selected Insulation</p> | <p>(CB3) CAVITY BATTEN, HORIZONTAL - STRUCTURALLY FIXED : 45mm x 45mm SP Radiata Pine, H3.2
70mm x 45mm SP Radiata Pine, H3.2
Castellated with a 18 degree bevelled slope. To form a 45mm cavity</p> <p>(CC) CAVITY CLOSURE: Cavity closure strip, positioned to give a 15mm Min drip edge to cladding</p> <p>(FT3) FLEXIBLE FLASHING TAPE: Flexible flashing tape lapped into corner, Refer NZBC E2/AS1 4.3.11
Flashing tape is recommended due to movement that may occur in corners. Not required by E2/AS1</p> | <p>(CF) CORNER FLASHING: Aluminium, PVC or Stainless Steel corner flashing. Refer NZBC E2/AS1 4.3
50x50 Hem or Hook to Flashing Edges
75x75 NO, Hem or Hook Required
EXTRA HIGH WIND ZONE
100x100 Hem or Hook to Flashing Edges, Refer NZBC E2/AS1 4.5.1</p> <p>(TF) TIMBER FRAME: H1.2 min Treated timber framing</p> <p>(IL) INTERNAL LINING: Selected Internal Lining</p> <p>(WB) WEATHER BOARD: Southern Pine Vertical Shiplap Weatherboard. Profile to NZS 3617</p> |
|---|---|--|



DETAIL NOTES :

1. Flashing tape is recommended due to movement that may occur in corners but it is not required by E2/AS1
2. Aluminium extrusion must not be continuous over solid floor joists.



1. DENDRO® is Southern Pine's premium product range of H3.2 treated, solid, clear weatherboards. Manufactured from, high quality, pruned NZ Radiata Pine. Product warranty, 25 years if used in accordance with the Installation & Maintenance Guide.
2. All Southern Pine Weatherboard profiles have been machined to be compliant with NZS 3617 and BRANZ BU411
3. The Southern Pine Weatherboard System, if designed and installed as per the Installation & Maintenance Guide, will meet

- the following provisions of the New Zealand Building Code (NZBC):
- Clause B1 Structure: Performance B1.3.1, B1.3.2, B1.3.4 (a), (b), (c), (d) and (e) for the
 - Clause B2 Durability: Performance B2.3.1(b) and B2.3.2(b)
 - Clause E2 External Moisture: Performance E2.3.2, E2.3.3, E2.3.5, E2.3.7(b) and (c)
 - Clause F2 Hazardous Building Materials: Performance F2.3.1

4. This Weatherboard System must be installed by a qualified trade person. Restricted Building Work (RBW) requires a Licensed Building Practitioner (LBP) or supervised by an LBP. It is the specifier's responsibility to ensure that the details are appropriate for the intended application and that additional detailing is obtained for a specific design or any areas that fall outside the scope of the Southern Pine Products & E2/AS1 Acceptable solution.

DETAILS MAY BE SUBJECT TO CHANGE WITHOUT NOTICE



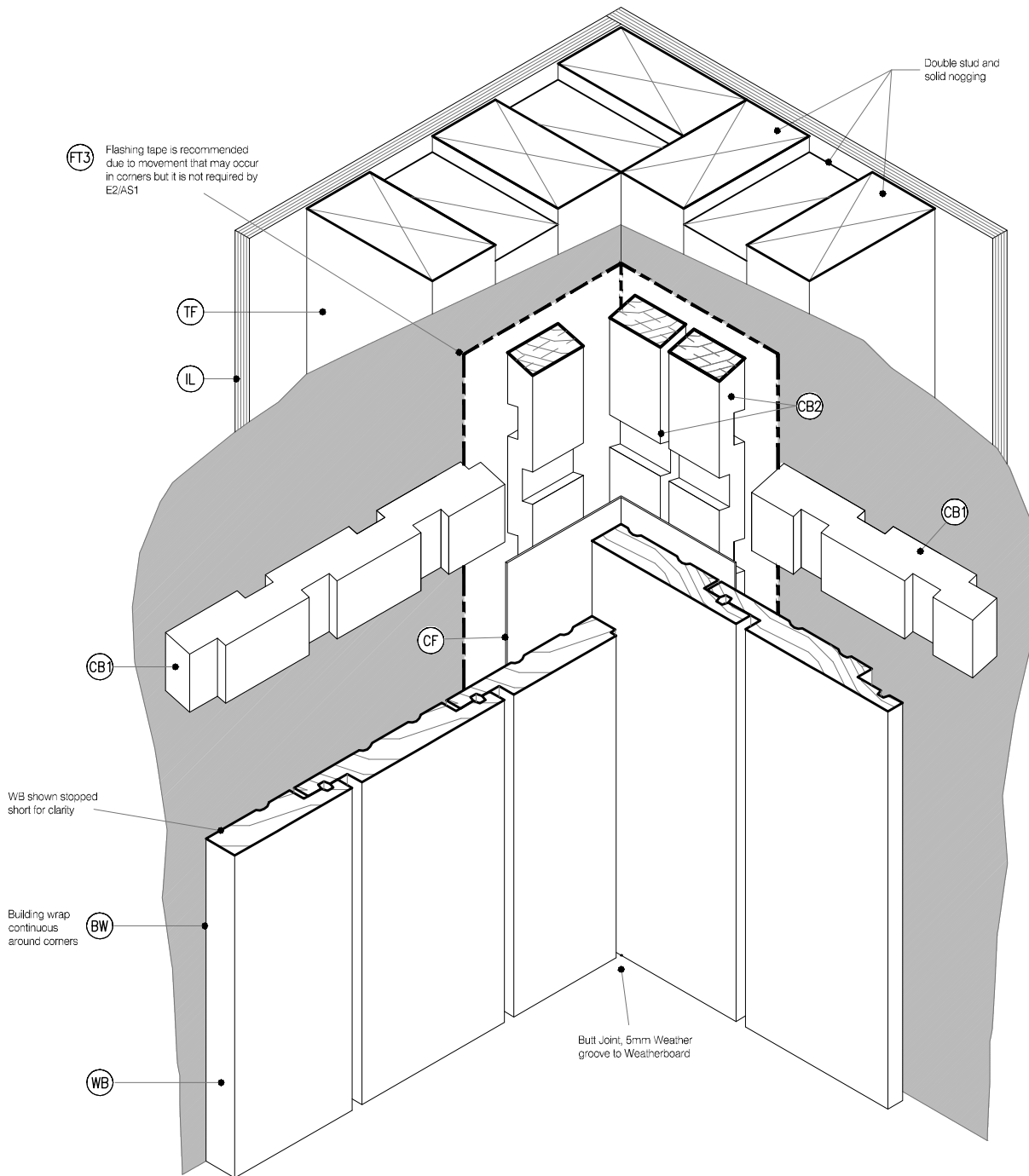
TYPE Southern Pine Products - H3.2 Treatment
 Vertical Shiplap WB - Cavity Fix
 NAME INTERNAL CORNER



DRAWING SCALE	ISSUE DATE
1:2 @ A4	SEP 2023
DRAWING No	REVISION
SPP CF20 VS42	

LEGEND :

- | | | |
|---|---|--|
| <p>(BW) BUILDING WRAP: Flexible Wall Underlay, As per NZBC E2/AS1 - Table 23, In extra high wind zones, Rigid Underlay required (9.1.7.2 E2/AS1)</p> <p>(CB1) CAVITY BATTEN, HORIZONTAL - NON STRUCTURAL : 20mm x 45mm SP Radiata Pine H3.2, Castellated with a 18 degree bevelled slope. To form a 20mm cavity</p> <p>(CB2) CAVITY BATTEN, VERTICAL: 20mm x 45mm. To form a 20mm cavity. Standard H3.1 or castellated H3.2</p> <p>(IN) INSULATION: Selected Insulation</p> | <p>(CB3) CAVITY BATTEN, HORIZONTAL - STRUCTURALLY FIXED : 45mm x 45mm SP Radiata Pine, H3.2
70mm x 45mm SP Radiata Pine, H3.2
Castellated with a 18 degree bevelled slope. To form a 45mm cavity</p> <p>(CC) CAVITY CLOSURE: Cavity closure strip, positioned to give a 15mm Min drip edge to cladding</p> <p>(FT3) FLEXIBLE FLASHING TAPE: Flexible flashing tape lapped into corner, Refer NZBC E2/AS1 4.3.11
Flashing tape is recommended due to movement that may occur in corners. Not required by E2/AS1</p> | <p>(CF) CORNER FLASHING: Aluminium, PVC or Stainless Steel corner flashing. Refer NZBC E2/AS1 4.3
50x50 Hem or Hook to Flashing Edges
75x75 NO, Hem or Hook Required
EXTRA HIGH WIND ZONE
100x100 Hem or Hook to Flashing Edges, Refer NZBC E2/AS1 4.5.1</p> <p>(TF) TIMBER FRAME: H1.2 min Treated timber framing</p> <p>(IL) INTERNAL LINING: Selected Internal Lining</p> <p>(WB) WEATHER BOARD: Southern Pine Vertical Shiplap Weatherboard. Profile to NZS 3617</p> |
|---|---|--|



- DENDRO is Southern Pine's premium product range of H3.2 treated, solid, clear weatherboards. Manufactured from, high quality, pruned NZ Radiata Pine. Product warranty, 25 years if used in accordance with the Installation & Maintenance Guide.
- All Southern Pine Weatherboard profiles have been machined to be compliant with NZS 3617 and BRANZ BU411
- The Southern Pine Weatherboard System, if designed and installed as per the Installation & Maintenance Guide, will meet

- the following provisions of the New Zealand Building Code (NZBC):
- Clause B1 Structure: Performance B1.3.1, B1.3.2, B1.3.4 (a), (b), (c), (d) and (e) for the
 - Clause B2 Durability: Performance B2.3.1(b) and B2.3.2(b)
 - Clause E2 External Moisture: Performance E2.3.2, E2.3.3, E2.3.5, E2.3.7(b) and (c)
 - Clause F2 Hazardous Building Materials: Performance F2.3.1

- This Weatherboard System must be installed by a qualified trade person. Restricted Building Work (RBW) requires a Licensed Building Practitioner (LBP) or supervised by an LBP. It is the specifier's responsibility to ensure that the details are appropriate for the intended application and that additional detailing is obtained for a specific design or any areas that fall outside the scope of the Southern Pine Products & E2/AS1 Acceptable solution.

DETAILS MAY BE SUBJECT TO CHANGE WITHOUT NOTICE



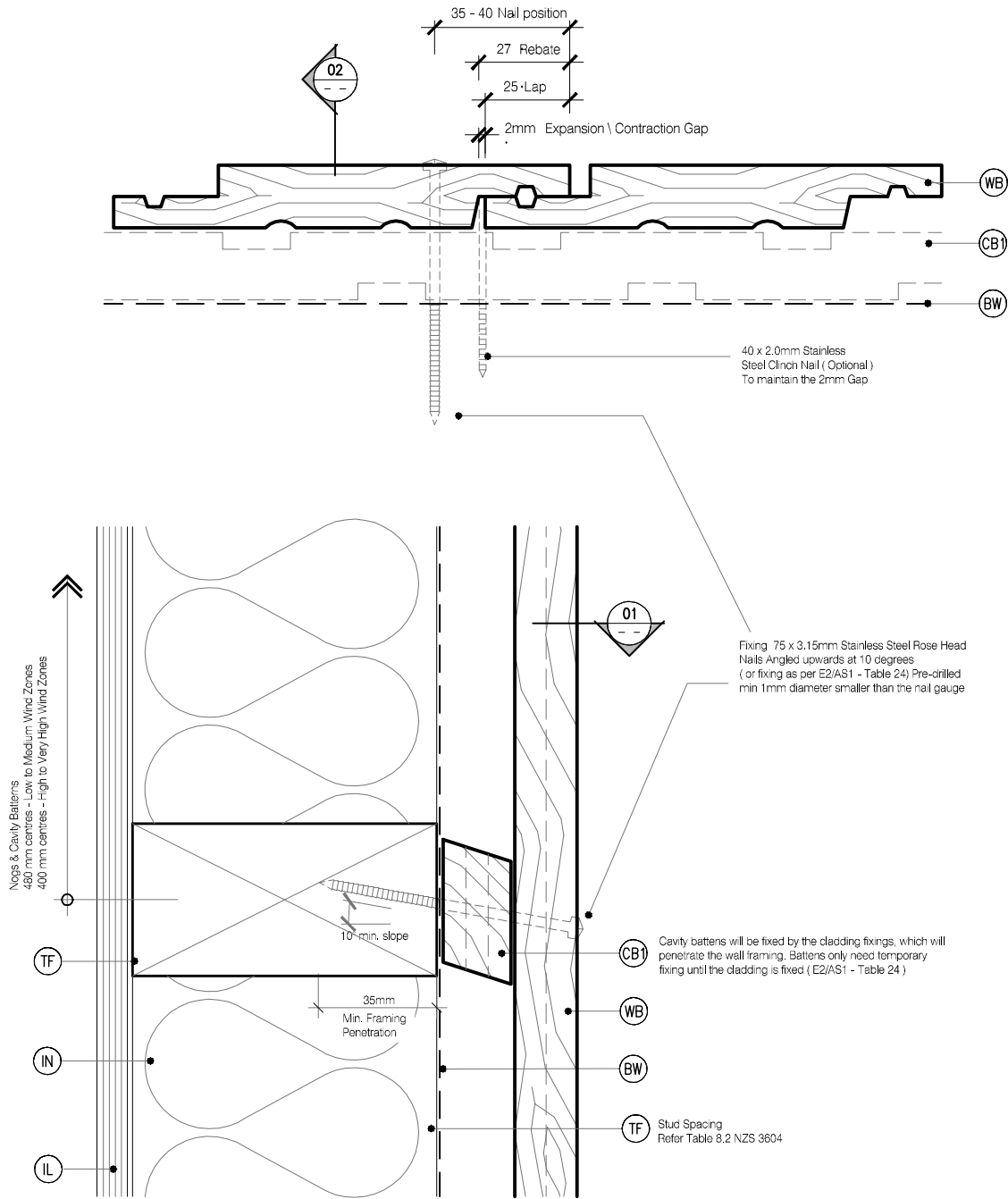
TYPE Southern Pine Products - H3.2 Treatment
 Vertical Shiplap WB - Cavity Fix
 NAME 3D INTERNAL CORNER



DRAWING SCALE	ISSUE DATE
1:2 @ A4	SEP 2023
DRAWING No	REVISION
SPP CF20 VS43	

LEGEND :

- | | | |
|---|---|--|
| <p>(BW) BUILDING WRAP: Flexible Wall Underlay, As per NZBC E2/AS1 - Table 23, in extra high wind zones, Rigid Underlay required (9.1.7.2 E2/AS1)</p> <p>(CB1) CAVITY BATTEN, HORIZONTAL - NON STRUCTURAL : 20mm x 45mm SP Radiata Pine H3.2, Castellated with a 18 degree bevelled slope. To form a 20mm cavity</p> <p>(CB2) CAVITY BATTEN, VERTICAL: 20mm x 45mm. To form a 20mm cavity. Standard H3.1 or castellated H3.2</p> <p>(IN) INSULATION: Selected Insulation</p> | <p>(CB3) CAVITY BATTEN, HORIZONTAL - STRUCTURALLY FIXED : 45mm x 45mm SP Radiata Pine, H3.2
70mm x 45mm SP Radiata Pine, H3.2
Castellated with a 18 degree bevelled slope. To form a 45mm cavity</p> <p>(CC) CAVITY CLOSURE: Cavity closure strip, positioned to give a 15mm Min drip edge to cladding</p> <p>(FT3) FLEXIBLE FLASHING TAPE: Flexible flashing tape lapped into corner, Refer NZBC E2/AS1 4.3.11
Flashing tape is recommended due to movement that may occur in corners. Not required by E2/AS1</p> | <p>(CF) CORNER FLASHING: Aluminium, PVC or Stainless Steel corner flashing. Refer NZBC E2/AS1 4.3
50x50 Hem or Hook to Flashing Edges
75x75 NO, Hem or Hook Required
EXTRA HIGH WIND ZONE
100x100 Hem or Hook to Flashing Edges, Refer NZBC E2/AS1 4.5.1</p> <p>(TF) TIMBER FRAME: H1.2 min Treated timber framing</p> <p>(IL) INTERNAL LINING: Selected Internal Lining</p> <p>(WB) WEATHER BOARD: Southern Pine Vertical Shiplap Weatherboard. Profile to NZS 3617</p> |
|---|---|--|



- DENDRO is Southern Pine's premium product range of H3.2 treated, solid, clear weatherboards. Manufactured from high quality, pruned NZ Radiata Pine. Product warranty, 25 years if used in accordance with the Installation & Maintenance Guide.
- All Southern Pine Weatherboard profiles have been machined to be compliant with NZS 3617 and BRANZ BU411
- The Southern Pine Weatherboard System, if designed and installed as per the Installation & Maintenance Guide, will meet

- the following provisions of the New Zealand Building Code (NZBC):
- Clause B1 Structure: Performance B1.3.1, B1.3.2, B1.3.4 (a), (b), (c), (d) and (e) for the
 - Clause B2 Durability: Performance B2.3.1(b) and B2.3.2(b)
 - Clause E2 External Moisture: Performance E2.3.2, E2.3.3, E2.3.5, E2.3.7(b) and (c)
 - Clause F2 Hazardous Building Materials: Performance F2.3.1

- This Weatherboard System must be installed by a qualified trade person. Restricted Building Work (RBW) requires a Licensed Building Practitioner (LBP) or supervised by an LBP. It is the specifier's responsibility to ensure that the details are appropriate for the intended application and that additional detailing is obtained for a specific design or any areas that fall outside the scope of the Southern Pine Products & E2/AS1 Acceptable solution.



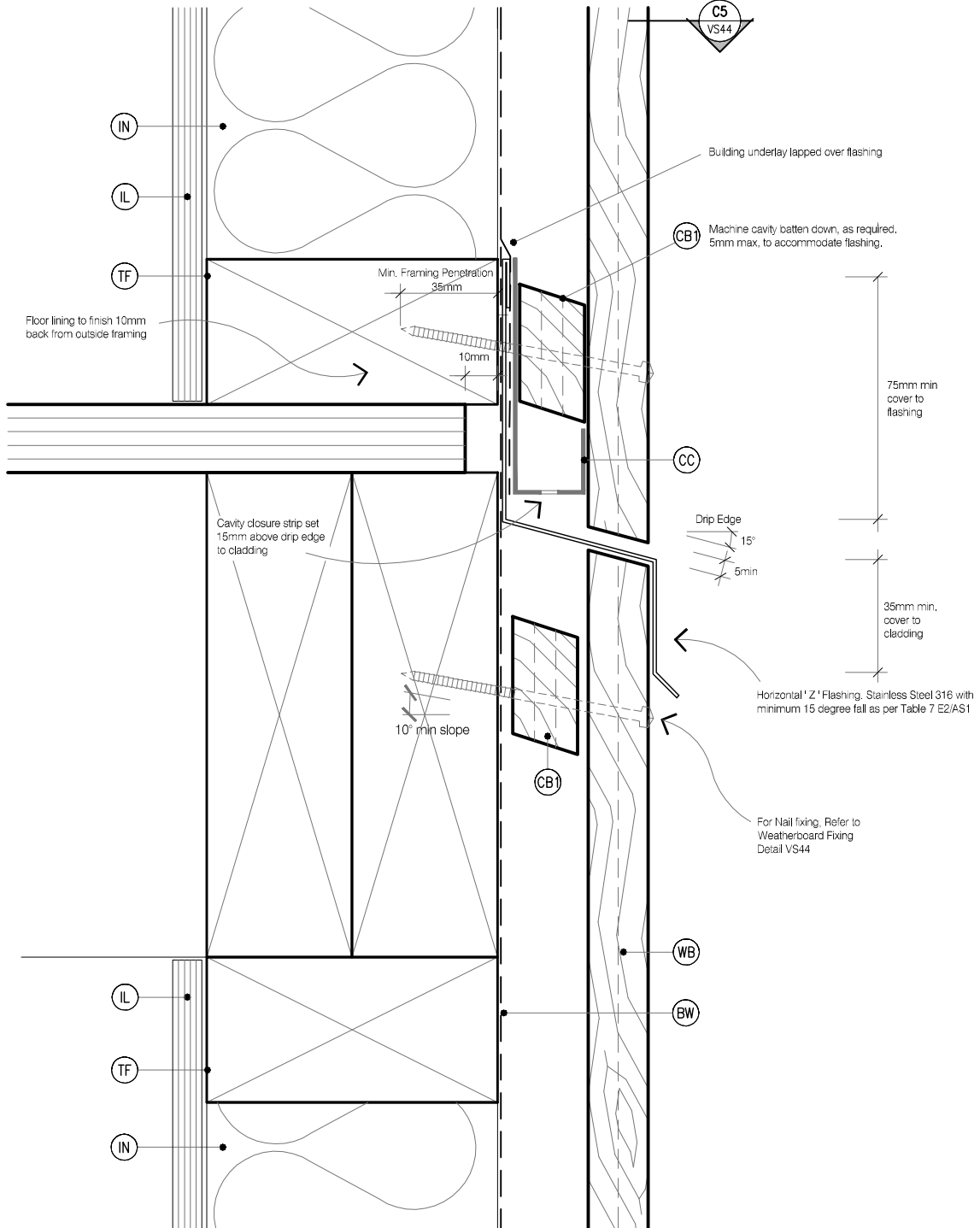
TYPE Southern Pine Products - H3.2 Treatment
 Vertical Shiplap WB - Cavity Fix
 NAME WEATHERBOARD FIXING



DRAWING SCALE 1:2 @ A4	ISSUE DATE SEP 2023
DRAWING No SPP CF20 VS44	REVISION

LEGEND :

- | | | |
|---|---|--|
| <p>(BW) BUILDING WRAP: Flexible Wall Underlay, As per NZBC E2/AS1 - Table 23, In extra high wind zones, Rigid Underlay required (9.1.7.2 E2/AS1)</p> <p>(CB1) CAVITY BATTEN, HORIZONTAL - NON STRUCTURAL : 20mm x 45mm SP Radiata Pine H3.2, Castellated with a 18 degree bevelled slope. To form a 20mm cavity</p> <p>(CB2) CAVITY BATTEN, VERTICAL: 20mm x 45mm. To form a 20mm cavity. Standard H3.1 or castellated H3.2</p> <p>(IN) INSULATION: Selected Insulation</p> | <p>(CB3) CAVITY BATTEN, HORIZONTAL - STRUCTURALLY FIXED : 45mm x 45mm SP Radiata Pine, H3.2
70mm x 45mm SP Radiata Pine, H3.2
Castellated with a 18 degree bevelled slope. To form a 45mm cavity</p> <p>(CC) CAVITY CLOSURE: Cavity closure strip, positioned to give a 15mm Min drip edge to cladding</p> <p>(FT3) FLEXIBLE FLASHING TAPE: Flexible flashing tape lapped into corner, Refer NZBC E2/AS1 4.3.11
Flashing tape is recommended due to movement that may occur in corners. Not required by E2/AS1</p> | <p>(CF) CORNER FLASHING: Aluminium, PVC or Stainless Steel corner flashing. Refer NZBC E2/AS1 4.3
50x50 Hem or Hook to Flashing Edges
75x75 NO. Hem or Hook Required
EXTRA HIGH WIND ZONE
100x100 Hem or Hook to Flashing Edges, Refer NZBC E2/AS1 4.5.1</p> <p>(TF) TIMBER FRAME: H1.2 min Treated timber framing</p> <p>(IL) INTERNAL LINING: Selected Internal Lining</p> <p>(WB) WEATHER BOARD: Southern Pine Vertical Shiplap Weatherboard. Profile to NZS 3617</p> |
|---|---|--|



DETAILS MAY BE SUBJECT TO CHANGE WITHOUT NOTICE

- DENDRO is Southern Pine's premium product range of H3.2 treated, solid, clear weatherboards. Manufactured from, high quality, pruned NZ Radiata Pine. Product warranty, 25 years if used in accordance with the Installation & Maintenance Guide.
- All Southern Pine Weatherboard profiles have been machined to be compliant with NZS 3617 and BRANZ BU411
- The Southern Pine Weatherboard System, if designed and installed as per the Installation & Maintenance Guide, will meet

- the following provisions of the New Zealand Building Code (NZBC):
- Clause B1 Structure: Performance B1.3.1, B1.3.2, B1.3.4 (a), (b), (c), (d) and (e) for the
 - Clause B2 Durability: Performance B2.3.1(b) and B2.3.2(b)
 - Clause E2 External Moisture: Performance E2.3.2, E2.3.3, E2.3.5, E2.3.7(b) and (c)
 - Clause F2 Hazardous Building Materials: Performance F2.3.1

- This Weatherboard System must be installed by a qualified trade person. Restricted Building Work (RBW) requires a Licensed Building Practitioner (LBP) or supervised by an LBP. It is the specifier's responsibility to ensure that the details are appropriate for the intended application and that additional detailing is obtained for a specific design or any areas that fall outside the scope of the Southern Pine Products & E2/AS1 Acceptable solution.



TYPE Southern Pine Products - H3.2 Treatment
 Vertical Shiplap WB - Cavity Fix
 NAME

DRAINED INTER-STOREY JOINT



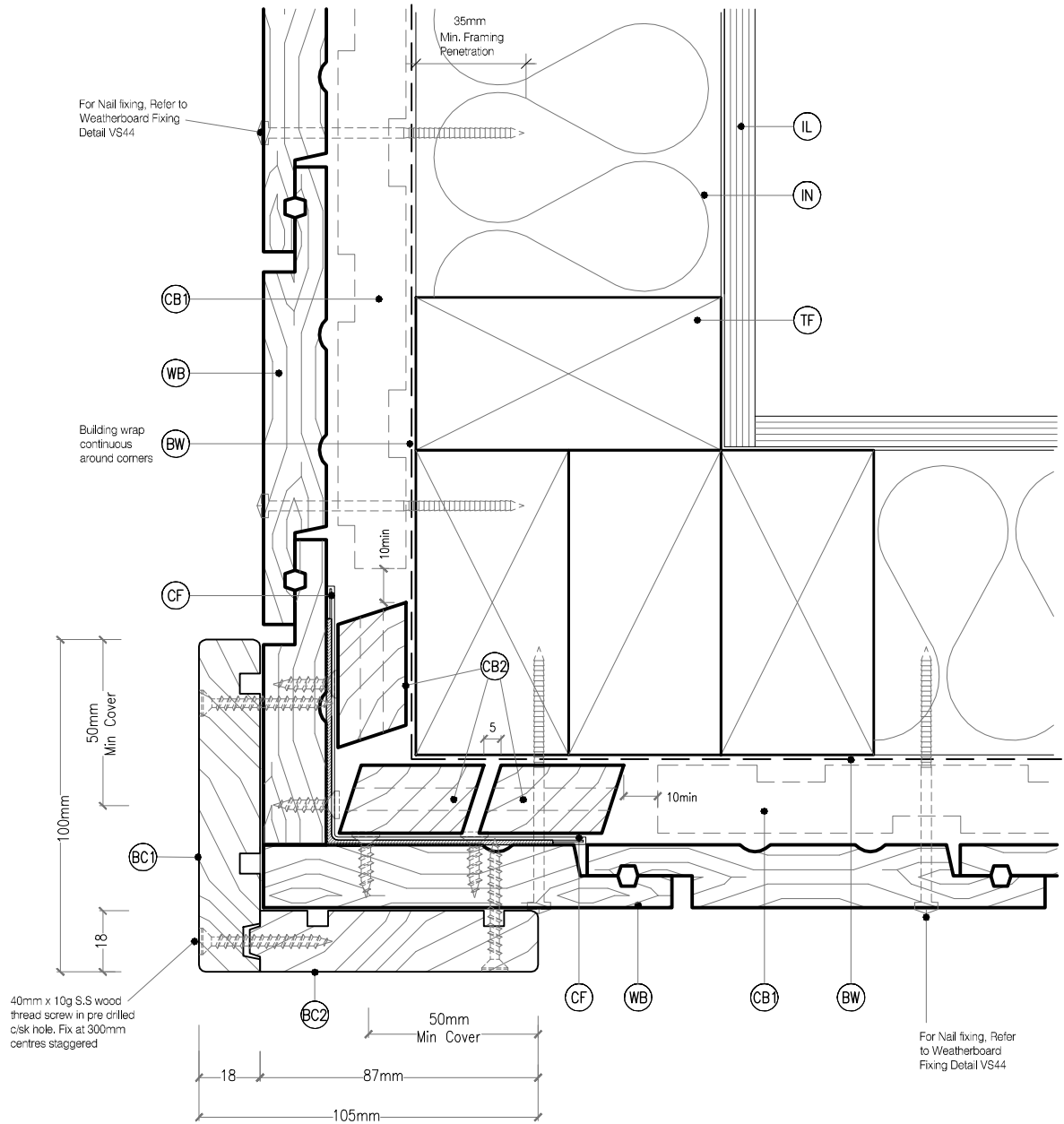
DRAWING SCALE
 1:2 @ A4

ISSUE DATE
 SEP 2023

DRAWING No SPP CF20 VS45
 REVISION

LEGEND :

- | | | |
|--|--|---|
| <p>(BC1) BOXED CORNER COVER : Southern Pine 100 x 18 H3.1 External box corner</p> <p>(BC2) BOXED CORNER COVER : Southern Pine 87 x 18 H3.1 Reversible box corner</p> <p>(BC3) BOXED CORNER COVER : Southern Pine 100 x 18 H3.1 Internal box corner</p> <p>(IL) INTERNAL LINING: Selected Internal Lining</p> <p>(BW) BUILDING WRAP: Flexible Wall Underlay, As per NZBC E2/AS1 - Table 23. In extra high wind zones, Rigid Underlay required (9.1.7.2 E2/AS1)</p> <p>(CB1) CAVITY BATTEN, HORIZONTAL - NON STRUCTURAL : 20mm x 45mm SP Radiata Pine H3.2, Castellated with a 18 degree bevelled slope. To form a 20mm cavity</p> | <p>(CB2) CAVITY BATTEN, VERTICAL: 20mm x 45mm. To form a 20mm cavity. Standard H3.1 or castellated H3.2</p> <p>(CB3) CAVITY BATTEN, HORIZONTAL - STRUCTURALLY FIXED : 45mm x 45mm SP Radiata Pine, H3.2 70mm x 45mm SP Radiata Pine, H3.2 Castellated with a 18 degree bevelled slope. To form a 45mm cavity</p> <p>(CF) CORNER FLASHING: Aluminium, PVC or Stainless Steel corner flashing. Refer NZBC E2/AS1 4.3 50x50 Hem or Hook to Flashing Edges 75x75 NO, Hem or Hook Required EXTRA HIGH WIND ZONE 100x100 Hem or Hook to Flashing Edges, Refer NZBC E2/AS1 4.5.1</p> | <p>(PEF) PEF ROD BACKING: Foam backing rod with sealant to perimeter that forms a waterproof air-seal. (Sealant 2:1 Ratio)</p> <p>(FT3) FLEXIBLE FLASHING TAPE: Flexible flashing tape lapped into corner, Refer NZBC E2/AS1 4.3.11 Flashing tape is recommended due to movement that may occur in corners. (Not required by E2/AS1)</p> <p>(FT4) FLEXIBLE FLASHING TAPE: Flexible flashing tape wrapped around pipe and over building wrap, Refer NZBC E2/AS1 4.3.11 & Figure 68</p> <p>(IN) INSULATION: Selected Insulation</p> <p>(TF) TIMBER FRAME: H1.2 min treated timber framing</p> <p>(WB) WEATHER BOARD: Souther Pine H3.2 Vertical Shiplap WB. Profile to NZS 3617</p> |
|--|--|---|



- DENDRO is Southern Pine's premium product range of H3.2 treated, solid, clear weatherboards. Manufactured from high quality, pruned NZ Radiata Pine. Product warranty, 25 years if used in accordance with the Installation & Maintenance Guide.
- All Southern Pine Weatherboard profiles have been machined to be compliant with NZS 3617 and BRANZ BU411
- The Southern Pine Weatherboard System, if designed and installed as per the Installation & Maintenance Guide, will meet

- the following provisions of the New Zealand Building Code (NZBC):
- Clause B1 Structure: Performance B1.3.1, B1.3.2, B1.3.4 (a), (b), (c), (d) and (e) for the
 - Clause B2 Durability: Performance B2.3.1(b) and B2.3.2(b)
 - Clause E2 External Moisture: Performance E2.3.2, E2.3.3, E2.3.5, E2.3.7(b) and (c)
 - Clause F2 Hazardous Building Materials: Performance F2.3.1

- This Weatherboard System must be installed by a qualified trade person. Restricted Building Work (RBW) requires a Licensed Building Practitioner (LBP) or supervised by an LBP. It is the specifier's responsibility to ensure that the details are appropriate for the intended application and that additional detailing is obtained for a specific design or any areas that fall outside the scope of the Southern Pine Products & E2/AS1 Acceptable solution.

DETAILS MAY BE SUBJECT TO CHANGE WITHOUT NOTICE



TYPE Southern Pine Products - H3.2 Treatment
 Vertical Shiplap WB - Cavity Fix

NAME EXTERNAL BOXED CORNER



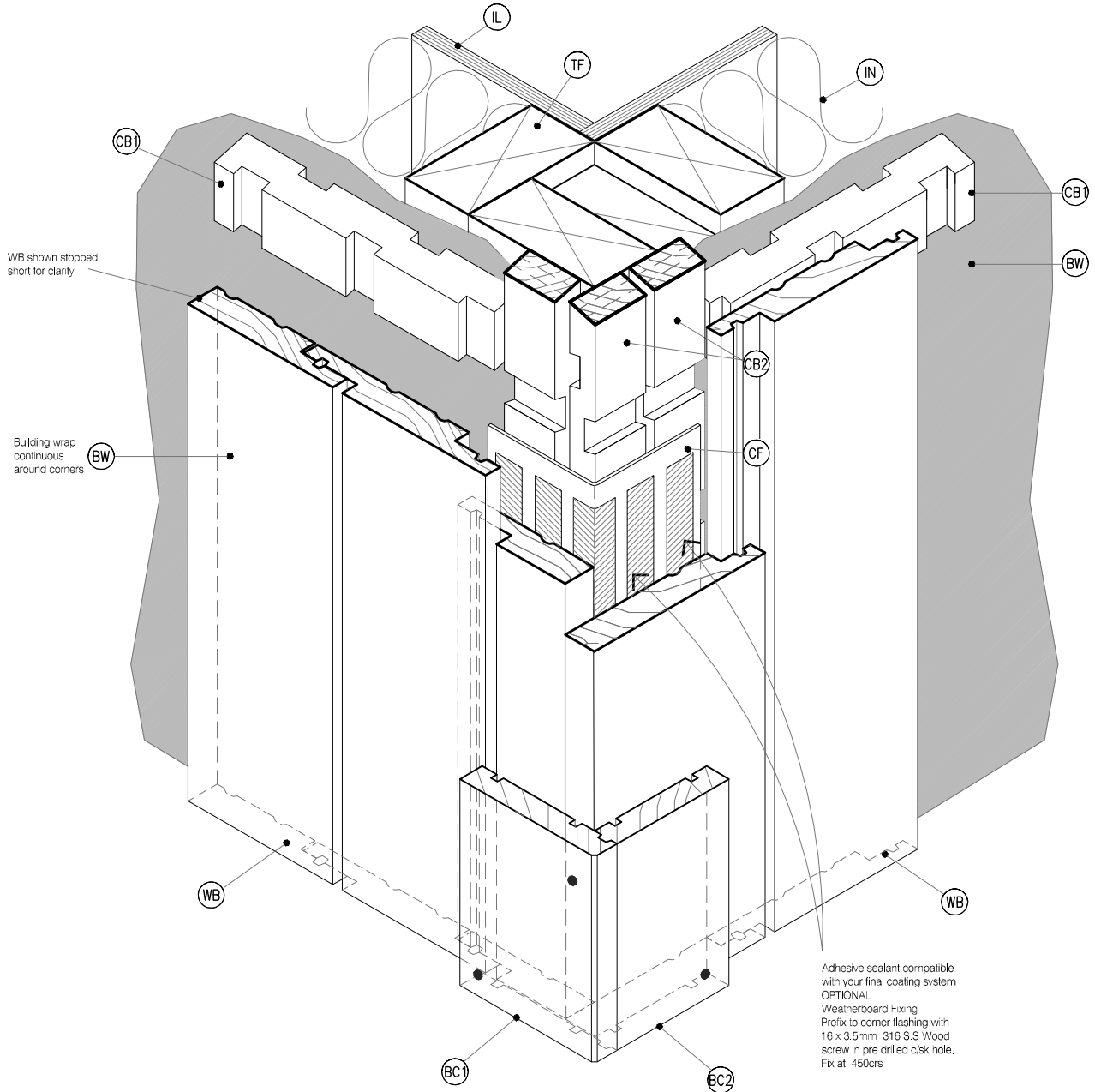
DRAWING SCALE
 1:2 @ A4

ISSUE DATE
 SEP 2023

DRAWING No SPP CF20 VS50
 REVISION

LEGEND :

- | | | |
|--|--|---|
| <p>(BC1) BOXED CORNER COVER : Southern Pine 100 x 18 H3.1 External box corner</p> <p>(BC2) BOXED CORNER COVER : Southern Pine 87 x 18 H3.1 Reversible box corner</p> <p>(BC3) BOXED CORNER COVER : Southern Pine 100 x 18 H3.1 Internal box corner</p> <p>(IL) INTERNAL LINING: Selected Internal Lining</p> <p>(BW) BUILDING WRAP: Flexible Wall Underlay, As per NZBC E2/AS1 - Table 23. In extra high wind zones, Rigid Underlay required (9.1.7.2 E2/AS1)</p> <p>(CB1) CAVITY BATTEN, HORIZONTAL - NON STRUCTURAL : 20mm x 45mm SP Radiata Pine H3.2, Castellated with a 18 degree bevelled slope. To form a 20mm cavity</p> | <p>(CB2) CAVITY BATTEN, VERTICAL: 20mm x 45mm. To form a 20mm cavity. Standard H3.1 or castellated H3.2</p> <p>(CB3) CAVITY BATTEN, HORIZONTAL - STRUCTURALLY FIXED : 45mm x 45mm SP Radiata Pine, H3.2 70mm x 45mm SP Radiata Pine, H3.2 Castellated with a 18 degree bevelled slope. To form a 45mm cavity</p> <p>(CF) CORNER FLASHING: Aluminium, PVC or Stainless Steel corner flashing. Refer NZBC E2/AS1 4.3 50x50 Hem or Hook to Flashing Edges 75x75 NO, Hem or Hook Required EXTRA HIGH WIND ZONE 100x100 Hem or Hook to Flashing Edges, Refer NZBC E2/AS1 4.5.1</p> | <p>(PEF) PEF ROD BACKING: Foam backing rod with sealant to perimeter that forms a waterproof air-seal. (Sealant 2:1 Ratio)</p> <p>(FT3) FLEXIBLE FLASHING TAPE: Flexible flashing tape lapped into corner, Refer NZBC E2/AS1 4.3.11 Flashing tape is recommended due to movement that may occur in corners. (Not required by E2/AS1)</p> <p>(FT4) FLEXIBLE FLASHING TAPE: Flexible flashing tape wrapped around pipe and over building wrap, Refer NZBC E2/AS1 4.3.11 & Figure 68</p> <p>(IN) INSULATION: Selected Insulation</p> <p>(TF) TIMBER FRAME: H1.2 min treated timber framing</p> <p>(WB) WEATHER BOARD: Souther Pine H3.2 Vertical Shiplap WB. Profile to NZS 3617</p> |
|--|--|---|



NOTE :
 Box corner trim must not be continuous over solid floor joists.



- DENDRO® is Southern Pine's premium product range of H3.2 treated, solid, clear weatherboards. Manufactured from high quality, pruned NZ Radiata Pine. Product warranty, 25 years if used in accordance with the Installation & Maintenance Guide.
- All Southern Pine Weatherboard profiles have been machined to be compliant with NZS 3617 and BRANZ BU411
- The Southern Pine Weatherboard System, if designed and installed as per the Installation & Maintenance Guide, will meet

- the following provisions of the New Zealand Building Code (NZBC):
- Clause B1 Structure: Performance B1.3.1, B1.3.2, B1.3.4 (a), (b), (c), (e) and (f) for the
 - Clause B2 Durability: Performance B2.3.1(b) and B2.3.2(b)
 - Clause E2 External Moisture: Performance E2.3.2, E2.3.3, E2.3.5, E2.3.7(b) and (c)
 - Clause F2 Hazardous Building Materials: Performance F2.3.1

- This Weatherboard System must be installed by a qualified trade person. Restricted Building Work (RBW) requires a Licensed Building Practitioner (LBP) or supervised by an LBP. It is the specifier's responsibility to ensure that the details are appropriate for the intended application and that additional detailing is obtained for a specific design or any areas that fall outside the scope of the Southern Pine Products & E2/AS1 Acceptable solution.



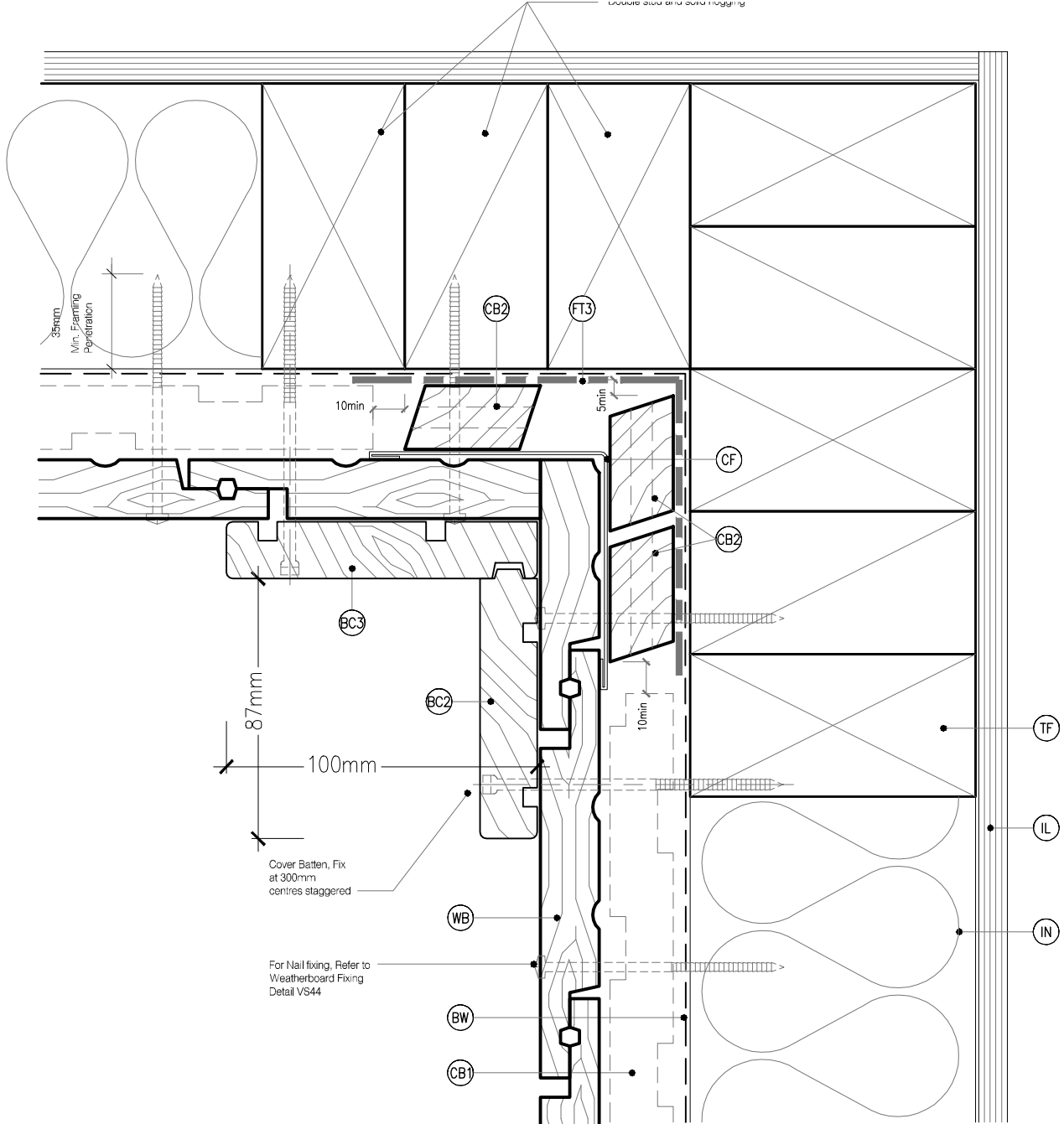
TYPE Southern Pine Products - H3.2 Treatment
 Vertical Shiplap WB - Cavity Fix
 NAME 3D EXTERNAL BOXED CORNER



DRAWING SCALE 1:2 @ A4	ISSUE DATE SEP 2023
DRAWING No SPP CF20 VS51	
REVISION	

LEGEND :

- | | | |
|---|--|--|
| <p>(BC1) BOXED CORNER COVER : Southern Pine 100 x 18 H3.1 External box corner</p> <p>(BC2) BOXED CORNER COVER : Southern Pine 87 x 18 H3.1 Reversible box corner</p> <p>(BC3) BOXED CORNER COVER : Southern Pine 100 x 18 H3.1 Internal box corner</p> <p>(IL) INTERNAL LINING: Selected Internal Lining</p> <p>(BW) BUILDING WRAP: Flexible Wall Underlay, As per NZBC E2/AS1 - Table 23. In extra high wind zones, Ridgid Underlay required (9.1.7.2 E2/AS1)</p> <p>(CB1) CAVITY BATTEN, HORIZONTAL - NON STRUCTURAL : 20mm x 45mm SP Radiata Pine H3.2, Castellated with a 18 degree bevelled slope. To form a 20mm cavity</p> | <p>(CB2) CAVITY BATTEN, VERTICAL: 20mm x 45mm. To form a 20mm cavity. Standard H3.1 or castellated H3.2</p> <p>(CB3) CAVITY BATTEN, HORIZONTAL - STRUCTURALLY FIXED : 45mm x 45mm SP Radiata Pine, H3.2 70mm x 45mm SP Radiata Pine, H3.2 Castellated with a 18 degree bevelled slope. To form a 45mm cavity</p> <p>(CF) CORNER FLASHING: Aluminium, PVC or Stainless Steel corner flashing. Refer NZBC E2/AS1 4.3 50x50 Hem or Hook to Flashing Edges 75x75 NO, Hem or Hook Required EXTRA HIGH WIND ZONE 100x100 Hem or Hook to Flashing Edges, Refer NZBC E2/AS1 4.5.1</p> | <p>(PEF) PEF ROD BACKING: Foam backing rod with sealant to perimeter that forms a waterproof air-seal. (Sealant 2:1 Ratio)</p> <p>(FT3) FLEXIBLE FLASHING TAPE: Flexible flashing tape lapped into corner, Refer NZBC E2/AS1 4.3.11 Flashing tape is recommended due to movement that may occur in corners. (Not required by E2/AS1)</p> <p>(FT4) FLEXIBLE FLASHING TAPE: Flexible flashing tape wrapped around pipe and over building wrap, Refer NZBC E2/AS1 4.3.11 & Figure 68</p> <p>(IN) INSULATION: Selected Insulation</p> <p>(WB) TIMBER FRAME: H1.2 min treated timber framing WEATHER BOARD: Souther Pine H3.2 Vertical Shiplap WB. Profile to NZS 3617</p> |
|---|--|--|



DETAIL NOTES :

1. Flashing tape is recommended due to movement that may occur in corners but it is not required by E2/AS1
2. Aluminium extrusions must not be continuous over solid floor joists



1. DENDRO is Southern Pine's premium product range of H3.2 treated, solid, clear weatherboards. Manufactured from high quality, pruned NZ Radiata Pine. Product warranty, 25 years if used in accordance with the Installation & Maintenance Guide.
2. All Southern Pine Weatherboard profiles have been machined to be compliant with NZS 3617 and BRANZ BU411
3. The Southern Pine Weatherboard System, if designed and installed as per the Installation & Maintenance Guide, will meet

- the following provisions of the New Zealand Building Code (NZBC):
- Clause B1 Structure: Performance B1.3.1, B1.3.2, B1.3.4 (a), (b), (c), (d) and (e) for the
 - Clause B2 Durability: Performance B2.3.1(b) and B2.3.2(b)
 - Clause E2 External Moisture: Performance E2.3.2, E2.3.3, E2.3.5, E2.3.7(b) and (c)
 - Clause F2 Hazardous Building Materials: Performance F2.3.1

4. This Weatherboard System must be installed by a qualified trade person. Restricted Building Work (RBW) requires a Licensed Building Practitioner (LBP) or supervised by an LBP. It is the specifier's responsibility to ensure that the details are appropriate for the intended application and that additional detailing is obtained for a specific design or any areas that fall outside the scope of the Southern Pine Products & E2/AS1 Acceptable solution.



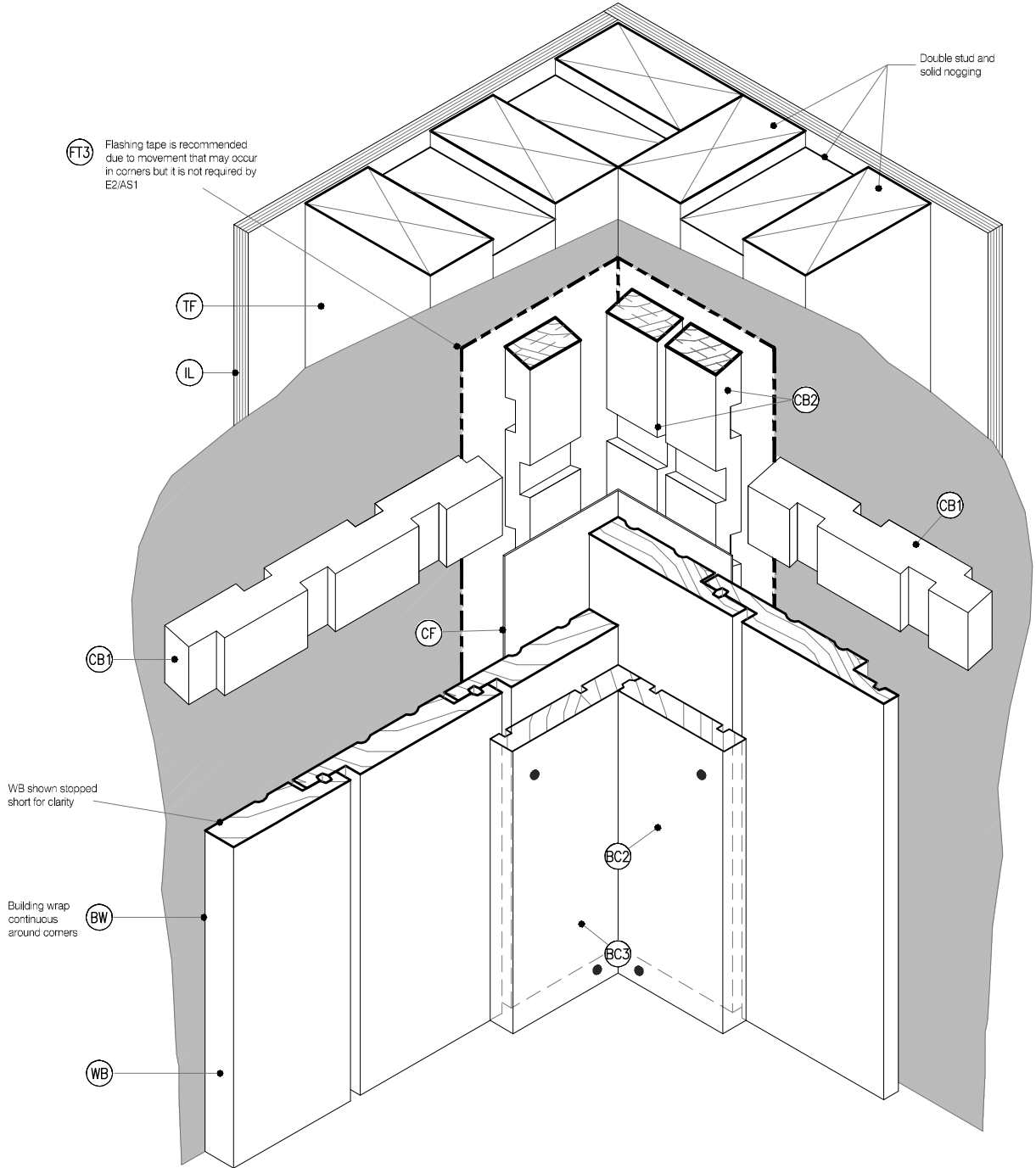
TYPE Southern Pine Products - H3.2 Treatment
 Vertical Shiplap WB - Cavity Fix
 NAME INTERNAL BOXED CORNER



DRAWING SCALE	ISSUE DATE
1:2 @ A4	SEP 2023
DRAWING No	REVISION
SPP CF20 VS52	

LEGEND :

- | | | |
|--|---|---|
| <p>(BC1) BOXED CORNER COVER : Southern Pine 100 x 18 H3.1 External box corner</p> <p>(BC2) BOXED CORNER COVER : Southern Pine 87 x 18 H3.1 Reversible box corner</p> <p>(BC3) BOXED CORNER COVER : Southern Pine 100 x 18 H3.1 Internal box corner</p> <p>(IL) INTERNAL LINING: Selected Internal Lining</p> <p>(BW) BUILDING WRAP: Flexible Wall Underlay, As per NZBC E2/AS1 - Table 23. In extra high wind zones, Rigid Underlay required (9.1.7.2 E2/AS1)</p> <p>(CB1) CAVITY BATTEN, HORIZONTAL - NON STRUCTURAL : 20mm x 45mm SP Radiata Pine H3.2, Castellated with a 18 degree bevelled slope. To form a 20mm cavity</p> | <p>(CB2) CAVITY BATTEN, VERTICAL: 20mm x 45mm. To form a 20mm cavity. Standard H3.1 or castellated H3.2</p> <p>(CB3) CAVITY BATTEN, HORIZONTAL - STRUCTURALLY FIXED : 45mm x 45mm SP Radiata Pine, H3.2 70mm x 45mm SP Radiata Pine, H3.2 Castellated with a 18 degree bevelled slope. To form a 45mm cavity</p> <p>(CF) CORNER FLASHING: Aluminium, PVC or Stainless Steel corner flashing. Refer NZBC E2/AS1 4.3 50x50 Hem or Hook to Flashing Edges 100x100 Hem or Hook Required EXTRA HIGH WIND ZONE Refer NZBC E2/AS1 4.5.1</p> | <p>(PEF) PEF ROD BACKING: Foam backing rod with sealant to perimeter that forms a waterproof air-seal. (Sealant 2:1 Ratio)</p> <p>(FT3) FLEXIBLE FLASHING TAPE: Flexible flashing tape lapped into corner, Refer NZBC E2/AS1 4.3.11 Flashing tape is recommended due to movement that may occur in corners. (Not required by E2/AS1)</p> <p>(FT4) FLEXIBLE FLASHING TAPE: Flexible flashing tape wrapped around pipe and over building wrap, Refer NZBC E2/AS1 4.3.11 & Figure 68</p> <p>(IN) INSULATION: Selected Insulation</p> <p>(TF) TIMBER FRAME: H1.2 min treated timber framing</p> <p>(WB) WEATHER BOARD: Souther Pine H3.2 Vertical Shiplap WB. Profile to NZS 3617</p> |
|--|---|---|



DETAILS MAY BE SUBJECT TO CHANGE WITHOUT NOTICE

- DENDRO is Southern Pine's premium product range of H3.2 treated, solid, clear weatherboards. Manufactured from, high quality, pruned NZ Radiata Pine. Product warranty, 25 years if used in accordance with the Installation & Maintenance Guide.
- All Southern Pine Weatherboard profiles have been machined to be compliant with NZS 3617 and BRANZ BU411
- The Southern Pine Weatherboard System, if designed and installed as per the Installation & Maintenance Guide, will meet

the following provisions of the New Zealand Building Code (NZBC):

- Clause B1 Structure: Performance B1.3.1, B1.3.2, B1.3.4 (a), (b), (c), (d) and (e) for the
- Clause B2 Durability: Performance B2.3.1(b) and B2.3.2(b)
- Clause E2 External Moisture: Performance E2.3.2, E2.3.3, E2.3.5, E2.3.7(b) and (c)
- Clause F2 Hazardous Building Materials: Performance F2.3.1

- This Weatherboard System must be installed by a qualified trade person. Restricted Building Work (RBW) requires a Licensed Building Practitioner (LBP) or supervised by an LBP. It is the specifier's responsibility to ensure that the details are appropriate for the intended application and that additional detailing is obtained for a specific design or any areas that fall outside the scope of the Southern Pine Products & E2/AS1 Acceptable solution.



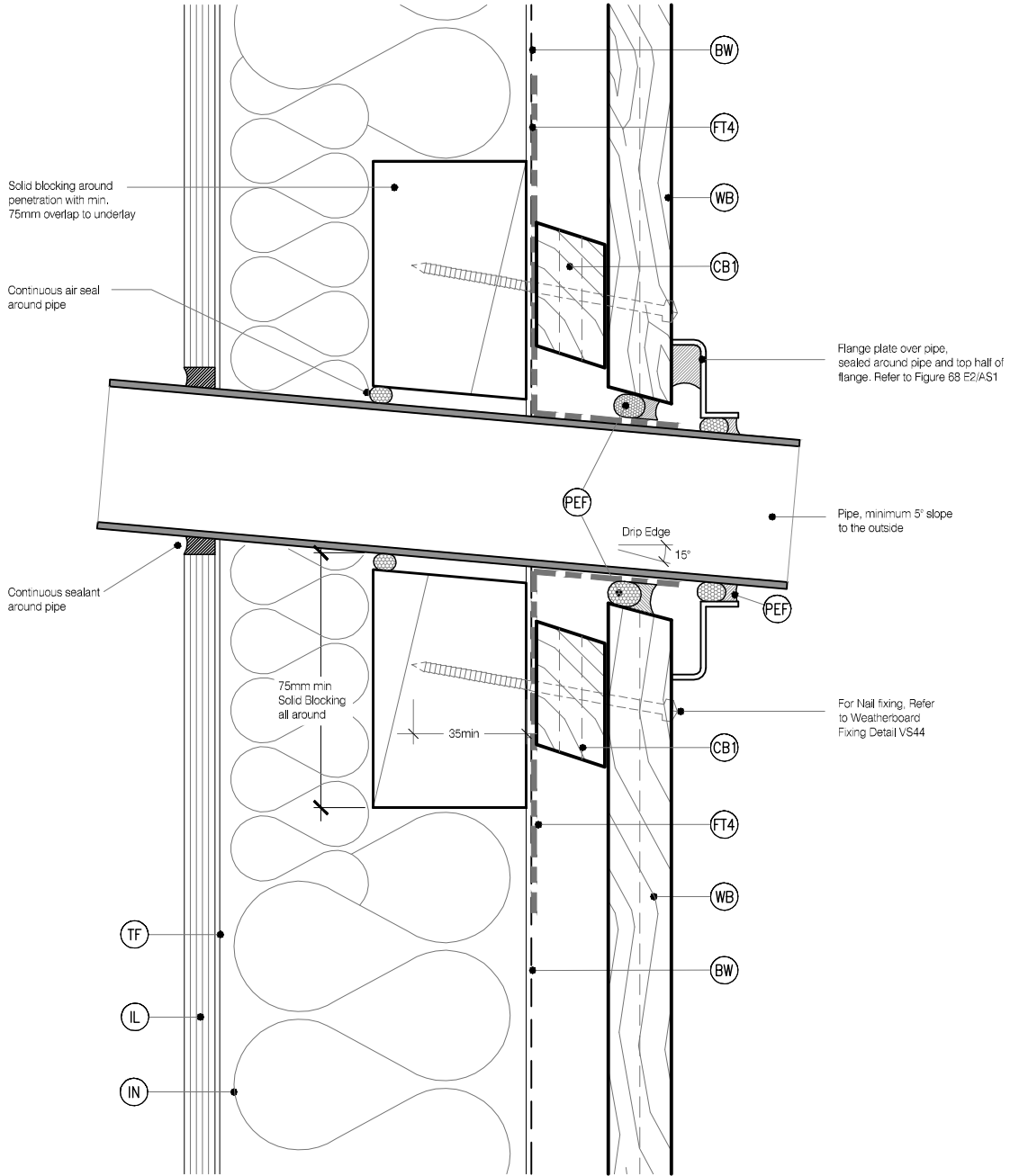
TYPE Southern Pine Products - H3.2 Treatment
 Vertical Shiplap WB - Cavity Fix
 NAME 3D INTERNAL BOXED CORNER



DRAWING SCALE 1:2 @ A4	ISSUE DATE SEP 2023
DRAWING No SPP CF20 VS53	REVISION

LEGEND :

- | | | |
|--|--|--|
| <p>(BC1) BOXED CORNER COVER : Southern Pine 100 x 18 H3.1 External box corner</p> <p>(BC2) BOXED CORNER COVER : Southern Pine 87 x 18 H3.1 Reversible box corner</p> <p>(BC3) BOXED CORNER COVER : Southern Pine 100 x 18 H3.1 Internal box corner</p> <p>(IL) INTERNAL LINING: Selected Internal Lining</p> <p>(BW) BUILDING WRAP: Flexible Wall Underlay, As per NZBC E2/AS1 - Table 23. In extra high wind zones, Rigid Underlay required (9.1.7.2 E2/AS1)</p> <p>(CB1) CAVITY BATTEN, HORIZONTAL - NON STRUCTURAL : 20mm x 45mm SP Radiata Pine H3.2, Castellated with a 18 degree bevelled slope. To form a 20mm cavity</p> | <p>(CB2) CAVITY BATTEN, VERTICAL: 20mm x 45mm. To form a 20mm cavity. Standard H3.1 or castellated H3.2</p> <p>(CB3) CAVITY BATTEN, HORIZONTAL - STRUCTURALLY FIXED : 45mm x 45mm SP Radiata Pine, H3.2 70mm x 45mm SP Radiata Pine, H3.2 Castellated with a 18 degree bevelled slope. To form a 45mm cavity</p> <p>(CF) CORNER FLASHING: Aluminium, PVC or Stainless Steel corner flashing. Refer NZBC E2/AS1 4.3 50x50 Hem or Hook to Flashing Edges 75x75 NO, Hem or Hook Required EXTRA HIGH WIND ZONE 100x100 Hem or Hook to Flashing Edges, Refer NZBC E2/AS1 4.5.1</p> | <p>(PEF) PEF ROD BACKING: Foam backing rod with sealant to perimeter that forms a waterproof air-seal. (Sealant 2:1 Ratio)</p> <p>(FT3) FLEXIBLE FLASHING TAPE: Flexible flashing tape lapped into corner, Refer NZBC E2/AS1 4.3.11 Flashing tape is recommended due to movement that may occur in corners. (Not required by E2/AS1)</p> <p>(FT4) FLEXIBLE FLASHING TAPE: Flexible flashing tape wrapped around pipe and over building wrap, Refer NZBC E2/AS1 4.3.11 & Figure 68</p> <p>(IN) INSULATION: Selected Insulation</p> <p>(TF) TIMBER FRAME: H1.2 min treated timber framing</p> <p>(WB) WEATHER BOARD: Southern Pine H3.2 Vertical Shiplap WB. Profile to NZS 3617</p> |
|--|--|--|



DETAILS MAY BE SUBJECT TO CHANGE WITHOUT NOTICE

- DENDRO® is Southern Pine's premium product range of H3.2 treated, solid, clear weatherboards. Manufactured from, high quality, pruned NZ Radiata Pine. Product warranty, 25 years if used in accordance with the Installation & Maintenance Guide.
- All Southern Pine Weatherboard profiles have been machined to be compliant with NZS 3617 and BRANZ BU411
- The Southern Pine Weatherboard System, if designed and installed as per the Installation & Maintenance Guide, will meet

the following provisions of the New Zealand Building Code (NZBC):

- Clause B1 Structure: Performance B1.3.1, B1.3.2, B1.3.4 (a), (b), (c), (d) and (e) for the
- Clause B2 Durability: Performance B2.3.1(b) and B2.3.2(b)
- Clause E2 External Moisture: Performance E2.3.2, E2.3.3, E2.3.5, E2.3.7(b) and (c)
- Clause F2 Hazardous Building Materials: Performance F2.3.1

- This Weatherboard System must be installed by a qualified trade person. Restricted Building Work (RBW) requires a Licensed Building Practitioner (LBP) or supervised by an LBP. It is the specifier's responsibility to ensure that the details are appropriate for the intended application and that additional detailing is obtained for a specific design or any areas that fall outside the scope of the Southern Pine Products & E2/AS1 Acceptable solution.



TYPE Southern Pine Products - H3.2 Treatment
 Vertical Shiplap WB - Cavity Fix
 NAME PIPE PENETRATION



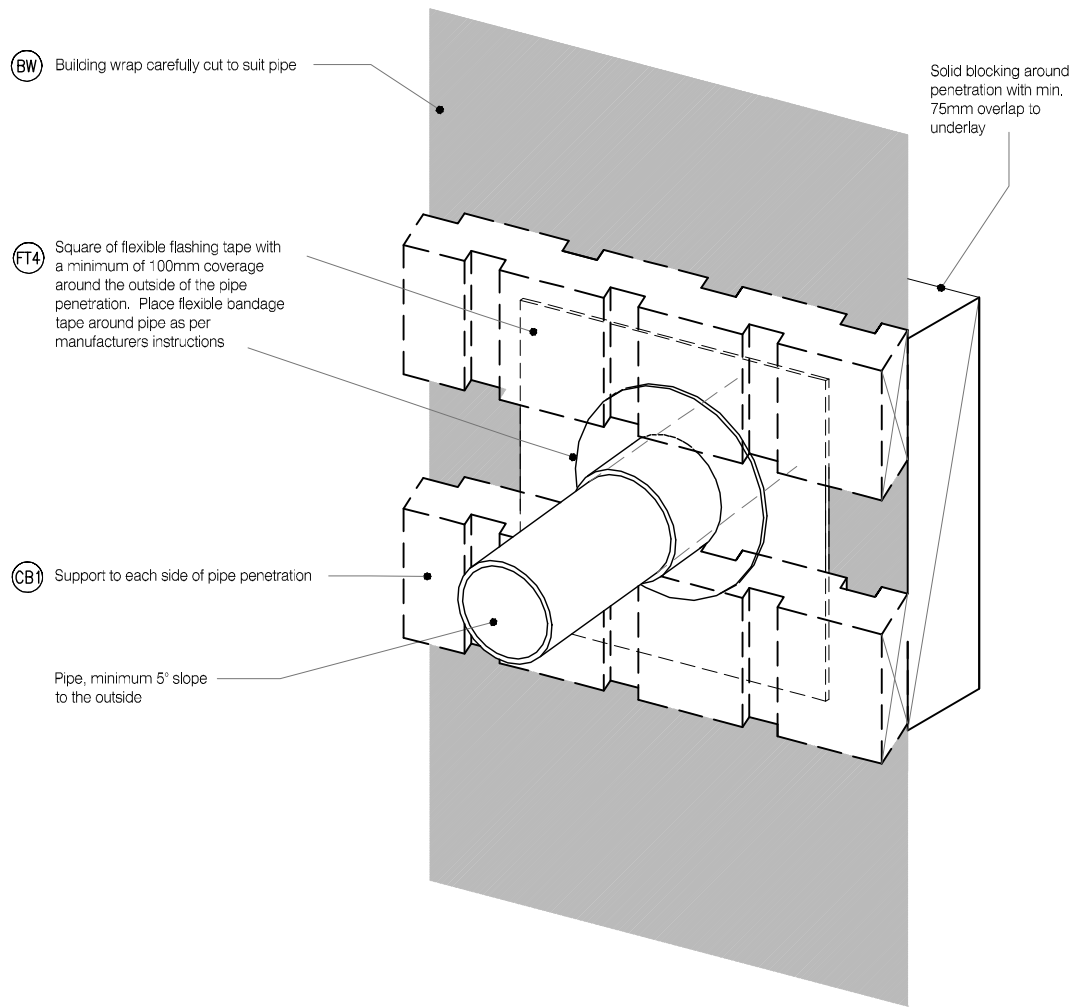
DRAWING SCALE
 1:2 @ A4

ISSUE DATE
 SEP 2023

DRAWING No SPP CF20 VS54
 REVISION

LEGEND :

<p>BC1 BOXED CORNER COVER : Southern Pine 100 x 18 H3.1 External box corner</p> <p>BC2 BOXED CORNER COVER : Southern Pine 87 x 18 H3.1 Reversible box corner</p> <p>BC3 BOXED CORNER COVER : Southern Pine 100 x 18 H3.1 Internal box corner</p> <p>IL INTERNAL LINING: Selected Internal Lining</p> <p>BW BUILDING WRAP: Flexible Wall Underlay, As per NZBC E2/AS1 - Table 23. In extra high wind zones, Rigid Underlay required (9.1.7.2 E2/AS1)</p> <p>CB1 CAVITY BATTEN, HORIZONTAL - NON STRUCTURAL : 20mm x 45mm SP Radiata Pine H3.2, Castellated with a 18 degree bevelled slope. To form a 20mm cavity</p>	<p>CB2 CAVITY BATTEN, VERTICAL: 20mm x 45mm. To form a 20mm cavity. Standard H3.1 or castellated H3.2</p> <p>CB3 CAVITY BATTEN, HORIZONTAL - STRUCTURALLY FIXED : 45mm x 45mm SP Radiata Pine, H3.2 70mm x 45mm SP Radiata Pine, H3.2 Castellated with a 18 degree bevelled slope. To form a 45mm cavity</p> <p>CF CORNER FLASHING: Aluminium, PVC or Stainless Steel corner flashing. Refer NZBC E2/AS1 4.3 50x50 Hem or Hook to Flashing Edges 75x75 NO, Hem or Hook Required EXTRA HIGH WIND ZONE 100x100 Hem or Hook to Flashing Edges, Refer NZBC E2/AS1 4.5.1</p>	<p>PEF PEF ROD BACKING: Foam backing rod with sealant to perimeter that forms a waterproof air-seal. (Sealant 2:1 Ratio)</p> <p>FT3 FLEXIBLE FLASHING TAPE: Flexible flashing tape lapped into corner, Refer NZBC E2/AS1 4.3.11 Flashing tape is recommended due to movement that may occur in corners. (Not required by E2/AS1)</p> <p>FT4 FLEXIBLE FLASHING TAPE: Flexible flashing tape wrapped around pipe and over building wrap, Refer NZBC E2/AS1 4.3.11 & Figure 68</p> <p>IN INSULATION: Selected Insulation</p> <p>TF TIMBER FRAME: H1.2 min treated timber framing</p> <p>WB WEATHER BOARD: Souther Pine H3.2 Vertical Shiplap WB. Profile to NZS 3617</p>
--	--	---



DETAILS MAY BE SUBJECT TO CHANGE WITHOUT NOTICE

- DENDRO® is Southern Pine's premium product range of H3.2 treated, solid, clear weatherboards. Manufactured from high quality, pruned NZ Radiata Pine. Product warranty, 25 years if used in accordance with the Installation & Maintenance Guide.
- All Southern Pine Weatherboard profiles have been machined to be compliant with NZS 3617 and BRANZ BU411
- The Southern Pine Weatherboard System, if designed and installed as per the Installation & Maintenance Guide, will meet

the following provisions of the New Zealand Building Code (NZBC):

- Clause B1 Structure: Performance B1.3.1, B1.3.2, B1.3.4 (a), (b), (c), (d) and (e) for the
- Clause B2 Durability: Performance B2.3.1(b) and B2.3.2(b)
- Clause E2 External Moisture: Performance E2.3.2, E2.3.3, E2.3.5, E2.3.7(b) and (c)
- Clause F2 Hazardous Building Materials: Performance F2.3.1

- This Weatherboard System must be installed by a qualified trade person. Restricted Building Work (RBW) requires a Licensed Building Practitioner (LBP) or supervised by an LBP. It is the specifier's responsibility to ensure that the details are appropriate for the intended application and that additional detailing is obtained for a specific design or any areas that fall outside the scope of the Southern Pine Products & E2/AS1 Acceptable solution.



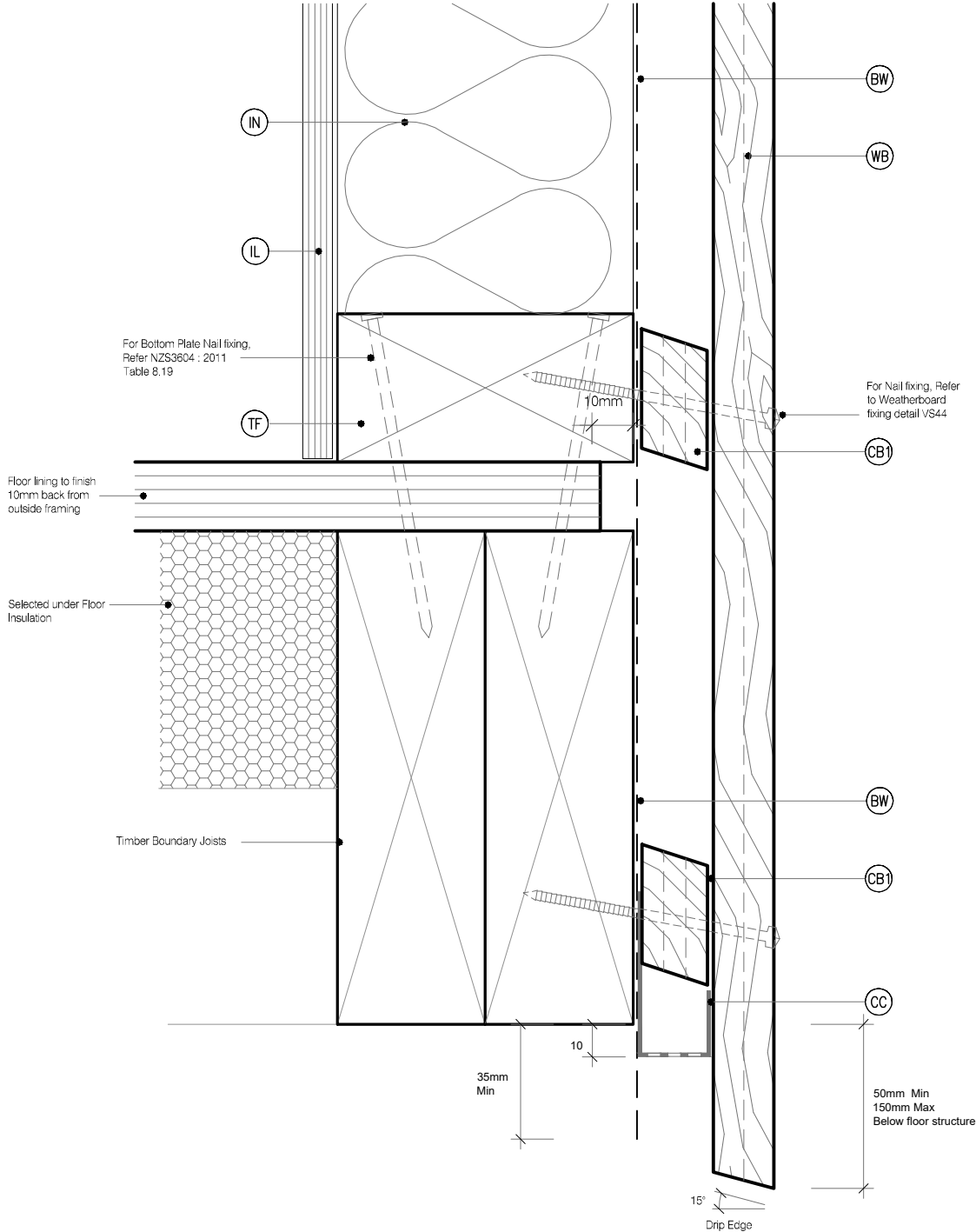
TYPE Southern Pine Products - H3.2 Treatment
 Vertical Shiplap WB - Cavity Fix
 NAME 3D PIPE PENETRATION



DRAWING SCALE 1:2 @ A4	ISSUE DATE SEP 2023
DRAWING No SPP CF20 VS55	
REVISION	

LEGEND :

- | | | |
|--|--|--|
| <p>(AF) APRON FLASHING: Materials as per E2/AS1 4.0, Coating to match roofing material or refer E2/AS1 Table 21. Flashing Cover 130mm min. (L,M & H ≥ 10°) All others 200mm Refer Table 7 E2/AS1</p> <p>(BW) BUILDING WRAP: Flexible Wall Underlay, As per NZBC E2/AS1 - Table 23. In extra high wind zones, Ridgid Underlay required (9.1.7.2 E2/AS1)</p> <p>(CC) CAVITY CLOSURE: Cavity closure strip, positioned to give a 15mm Min drip edge to cladding</p> <p>(CB1) CAVITY BATTEN, HORIZONTAL - NON STRUCTURAL : 20mm x 45mm SP Radiata Pine H3.2, Castellated with a 18 degree bevelled slope. To form a 20mm cavity</p> | <p>(CB3) CAVITY BATTEN, HORIZONTAL - STRUCTURALLY FIXED : 45mm x 45mm SP Radiata Pine, H3.2 70mm x 45mm SP Radiata Pine, H3.2 Castellated with a 18 degree bevelled slope. To form a 45mm cavity</p> <p>(CB2) CAVITY BATTEN, VERTICAL: 20mm x 45mm. To form a 20mm cavity. Standard H3.1 or castellated H3.2</p> <p>(IL) INTERNAL LINING: Selected Internal Lining</p> <p>(IN) INSULATION: Selected Insulation</p> <p>(HS) HEAD SOFFIT SCRIBER: Southern Pine Eaves Mould EM40x27. Fix with 75 x 3.15mm 316 S.S nail in 2,5mm predrilled hole</p> | <p>(MR) METAL ROOFING : Selected Metal Roofing</p> <p>(SL) SOFFIT LINING: Selected Soffit Lining</p> <p>(TF) TIMBER FRAME: H1.2 min treated timber framing</p> <p>(TP) TIMBER PACKER: H3.2 treated at 300crs to allow ventilation over the roof.</p> <p>(RU) ROOFING UNDERLAY: Selected Roofing Underlay As Per AS/AZS4200 with Mesh or Self Supported</p> <p>(WB) WEATHER BOARD: Southern Pine Vertical Shiplap Weatherboard. Profile to NZS 3617</p> |
|--|--|--|



DETAILS MAY BE SUBJECT TO CHANGE WITHOUT NOTICE

- DENDRO is Southern Pine's premium product range of H3.2 treated, solid, clear weatherboards. Manufactured from high quality, pruned NZ Radiata Pine. Product warranty, 25 years if used in accordance with the Installation & Maintenance Guide.
- All Southern Pine Weatherboard profiles have been machined to be compliant with NZS 3617 and BRANZ BU411
- The Southern Pine Weatherboard System, if designed and installed as per the Installation & Maintenance Guide, will meet

the following provisions of the New Zealand Building Code (NZBC):

- Clause B1 Structure: Performance B1.3.1, B1.3.2, B1.3.4 (a), (b), (c), (e) and (e) for the
- Clause B2 Durability: Performance B2.3.1(b) and B2.3.2(b)
- Clause E2 External Moisture: Performance E2.3.2, E2.3.3, E2.3.5, E2.3.7(b) and (c)
- Clause F2 Hazardous Building Materials: Performance F2.3.1

- This Weatherboard System must be installed by a qualified trade person. Restricted Building Work (RBW) requires a Licensed Building Practitioner (LBP) or supervised by an LBP. It is the specifier's responsibility to ensure that the details are appropriate for the intended application and that additional detailing is obtained for a specific design or any areas that fall outside the scope of the Southern Pine Products & E2/AS1 Acceptable solution.



TYPE Southern Pine Products - H3.2 Treatment
 Vertical Shiplap WB - Cavity Fix
 NAME BASE OF WALL - TIMBER



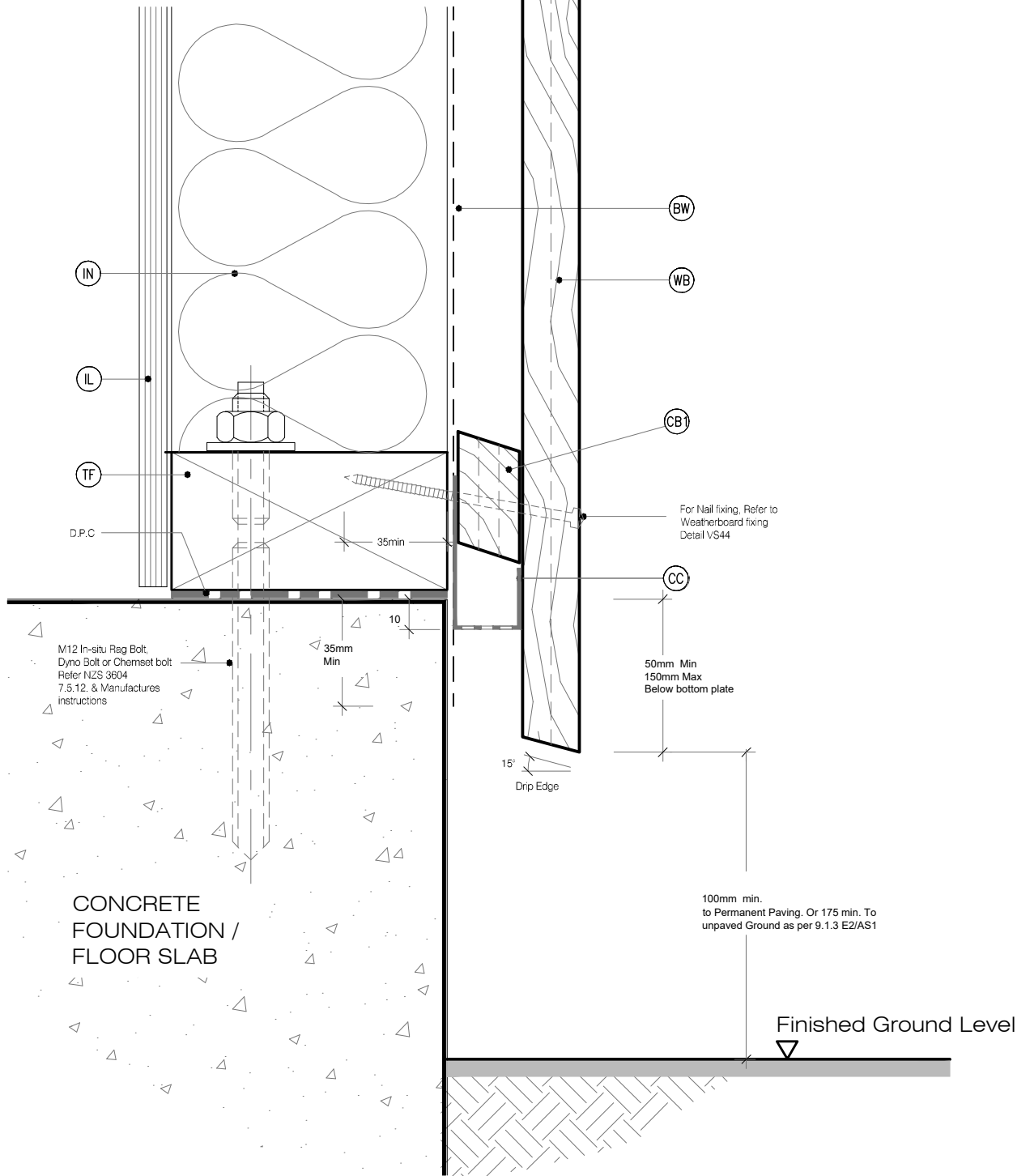
DRAWING SCALE
 1:2 @ A4

ISSUE DATE
 SEP 2023

DRAWING No SPP CF20 VS60
 REVISION

LEGEND :

- | | | |
|--|--|---|
| <p>(AF) APRON FLASHING: Materials as per E2/AS1 4.0, Coating to match roofing material or refer E2/AS1 Table 21. Flashing Cover 130mm min. (L, M & H ≥ 10") All others 200mm Refer Table 7 E2/AS1</p> <p>(BW) BUILDING WRAP: Flexible Wall Underlay, As per NZBC E2/AS1 - Table 23. In extra high wind zones, Ridgid Underlay required (9.1.7.2 E2/AS1)</p> <p>(CC) CAVITY CLOSURE: Cavity closure strip, positioned to give a 15mm Min drip edge to cladding</p> <p>(CB1) CAVITY BATTEN, HORIZONTAL - NON STRUCTURAL : 20mm x 45mm SP Radiata Pine H3.2, Castellated with a 18 degree bevelled slope. To form a 20mm cavity</p> | <p>(CB3) CAVITY BATTEN, HORIZONTAL - STRUCTURALLY FIXED : 45mm x 45mm SP Radiata Pine, H3.2 70mm x 45mm SP Radiata Pine, H3.2 Castellated with a 18 degree bevelled slope. To form a 45mm cavity</p> <p>(CB2) CAVITY BATTEN, VERTICAL: 20mm x 45mm. To form a 20mm cavity. Standard H3.1 or castellated H3.2</p> <p>(IL) INTERNAL LINING: Selected Internal Lining</p> <p>(IN) INSULATION: Selected Insulation</p> <p>(HS) HEAD SOFFIT SCRIBER: Southern Pine Eaves Mould EM40x27. Fix with 75 x 3.15mm 316 S.S nail in 2,5mm predrilled hole</p> | <p>(MR) METAL ROOFING : Selected Metal Roofing</p> <p>(SL) SOFFIT LINING: Selected Soffit Lining</p> <p>(TF) TIMBER FRAME: H1.2 min treated timber framing</p> <p>(TP) TIMBER PACKER: H3.2 treated at 300crs to allow ventilation over the top of the wall.</p> <p>(RU) ROOFING UNDERLAY: Selected Roofing Underlay As Per AS/AZS4200 with Mesh or Self Supported</p> <p>(WB) WEATHER BOARD: Southern Pine Vertical Shiplap Weatherboard. Profile to NZS 3617</p> |
|--|--|---|



DETAILS MAY BE SUBJECT TO CHANGE WITHOUT NOTICE

- DENDRO is Southern Pine's premium product range of H3.2 treated, solid, clear weatherboards. Manufactured from high quality, pruned NZ Radiata Pine. Product warranty, 25 years if used in accordance with the Installation & Maintenance Guide.
- All Southern Pine Weatherboard profiles have been machined to be compliant with NZS 3617 and BRANZ BU411
- The Southern Pine Weatherboard System, if designed and installed as per the Installation & Maintenance Guide, will meet

the following provisions of the New Zealand Building Code (NZBC):

- Clause B1 Structure: Performance B1.3.1, B1.3.2, B1.3.4 (a), (b), (c), (d) and (e) for the
- Clause B2 Durability: Performance B2.3.1(b) and B2.3.2(b)
- Clause E2 External Moisture: Performance E2.3.2, E2.3.3, E2.3.5, E2.3.7(b) and (c)
- Clause F2 Hazardous Building Materials: Performance F2.3.1

- This Weatherboard System must be installed by a qualified trade person. Restricted Building Work (RBW) requires a Licensed Building Practitioner (LBP) or supervised by an LBP. It is the specifier's responsibility to ensure that the details are appropriate for the intended application and that additional detailing is obtained for a specific design or any areas that fall outside the scope of the Southern Pine Products & E2/AS1 Acceptable solution.



TYPE Southern Pine Products - H3.2 Treatment
 Vertical Shiplap WB - Cavity Fix

NAME BASE OF WALL - CONCRETE



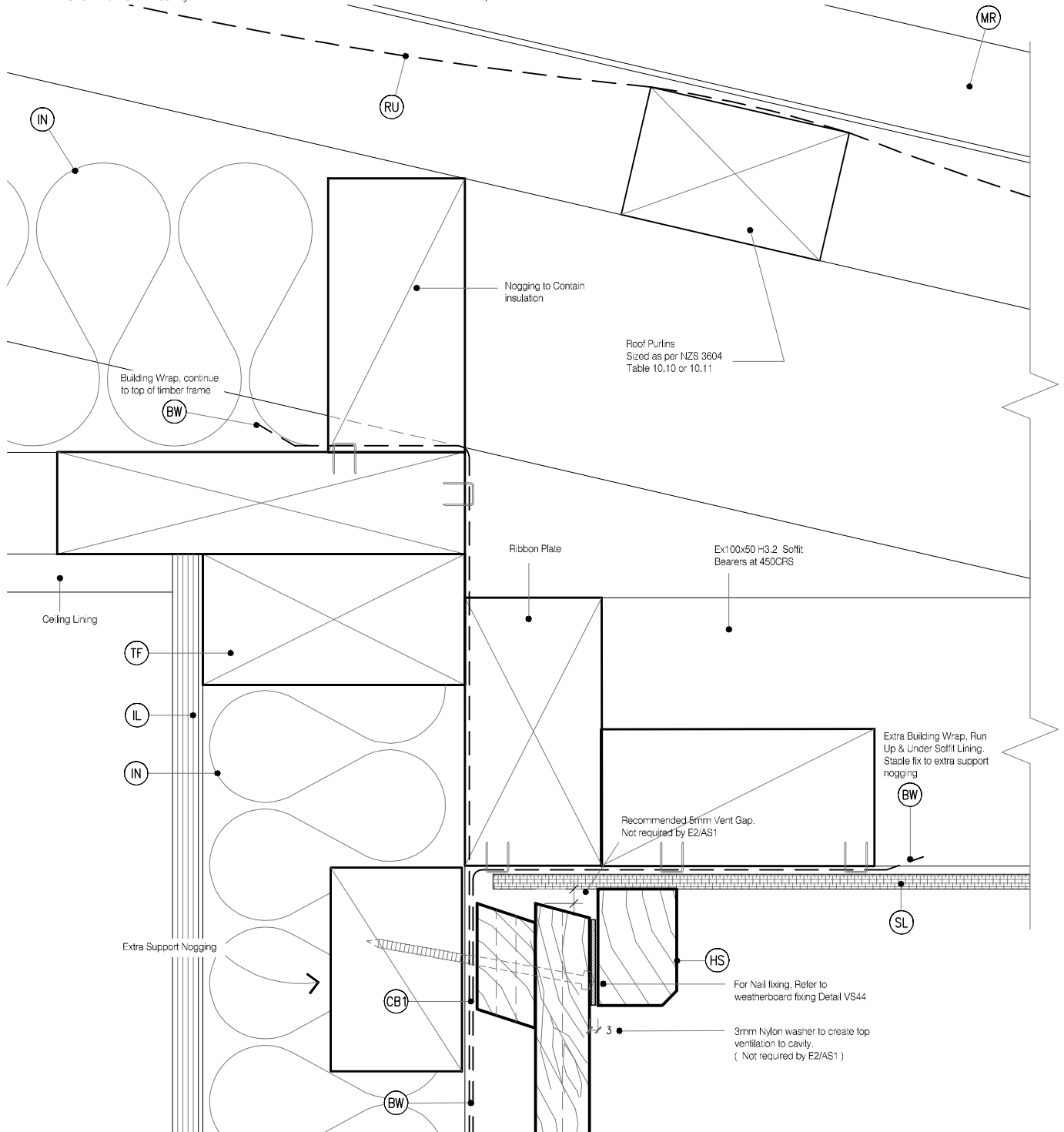
DRAWING SCALE
 1:2 @ A4

ISSUE DATE
 SEP 2023

DRAWING No SPP CF20 VS61
 REVISION

LEGEND :

- | | | |
|---|--|---|
| <p>(AF) APRON FLASHING: Materials as per E2/AS1 4.0, Coating to match roofing material or refer E2/AS1 Table 21. Flashing Cover 130mm min. (L,M & H ≥ 10°) All others 200mm Refer Table 7 E2/AS1</p> <p>(BW) BUILDING WRAP: Flexible Wall Underlay, As per NZBC E2/AS1 - Table 23. In extra high wind zones, Ridgid Underlay required (9.1.7.2 E2/AS1)</p> <p>(CC) CAVITY CLOSURE: Cavity closure strip, positioned to give a 15mm Min drip edge to cladding</p> <p>(CB1) CAVITY BATTEN, HORIZONTAL - NON STRUCTURAL : 20mm x 45mm SP Radiata Pine H3.2, Castellated with a 18 degree bevelled slope. To form a 20mm cavity</p> | <p>(CB3) CAVITY BATTEN, HORIZONTAL - STRUCTURALLY FIXED : 45mm x 45mm SP Radiata Pine, H3.2 70mm x 45mm SP Radiata Pine, H3.2 Castellated with a 18 degree bevelled slope. To form a 45mm cavity</p> <p>(CB2) CAVITY BATTEN, VERTICAL: 20mm x 45mm. To form a 20mm cavity. Standard H3.1 or castellated H3.2</p> <p>(IL) INTERNAL LINING: Selected Internal Lining</p> <p>(IN) INSULATION: Selected Insulation</p> <p>(HS) HEAD SOFFIT SCRIBER: Southern Pine Eaves Mould EM40x27. Fix with 75 x 3.15mm 316 S.S nail in 2,5mm predrilled hole</p> | <p>(MR) METAL ROOFING : Selected Metal Roofing</p> <p>(SL) SOFFIT LINING: Selected Soffit Lining</p> <p>(TF) TIMBER FRAME: H1.2 min treated timber framing</p> <p>(TP) TIMBER PACKER: H3.2 treated at 300crs to allow ventilation over the top of the wall.</p> <p>(RU) ROOFING UNDERLAY: Selected Roofing Underlay As Per AS/AZS4200 with Mesh or Self Supported</p> <p>(WB) WEATHER BOARD: Southern Pine Vertical Shiplap Weatherboard. Profile to NZS 3617</p> |
|---|--|---|



DETAILS MAY BE SUBJECT TO CHANGE WITHOUT NOTICE

- DENDRO® is Southern Pine's premium product range of H3.2 treated, solid, clear weatherboards. Manufactured from high quality, pruned NZ Radiata Pine. Product warranty, 25 years if used in accordance with the Installation & Maintenance Guide.
- All Southern Pine Weatherboard profiles have been machined to be compliant with NZS 3617 and BRANZ BU411
- The Southern Pine Weatherboard System, if designed and installed as per the Installation & Maintenance Guide, will meet

the following provisions of the New Zealand Building Code (NZBC):

- Clause B1 Structure: Performance B1.3.1, B1.3.2, B1.3.4 (a), (b), (c), (e) and (e) for the
- Clause B2 Durability: Performance B2.3.1(b) and B2.3.2(b)
- Clause E2 External Moisture: Performance E2.3.2, E2.3.3, E2.3.5, E2.3.7(b) and (c)
- Clause F2 Hazardous Building Materials: Performance F2.3.1

- This Weatherboard System must be installed by a qualified trade person. Restricted Building Work (RBW) requires a Licensed Building Practitioner (LBP) or supervised by an LBP. It is the specifier's responsibility to ensure that the details are appropriate for the intended application and that additional detailing is obtained for a specific design or any areas that fall outside the scope of the Southern Pine Products & E2/AS1 Acceptable solution.



TYPE Southern Pine Products - H3.2 Treatment
 Vertical Shiplap WB - Cavity Fix
 NAME SOFFIT DETAIL AT WALL



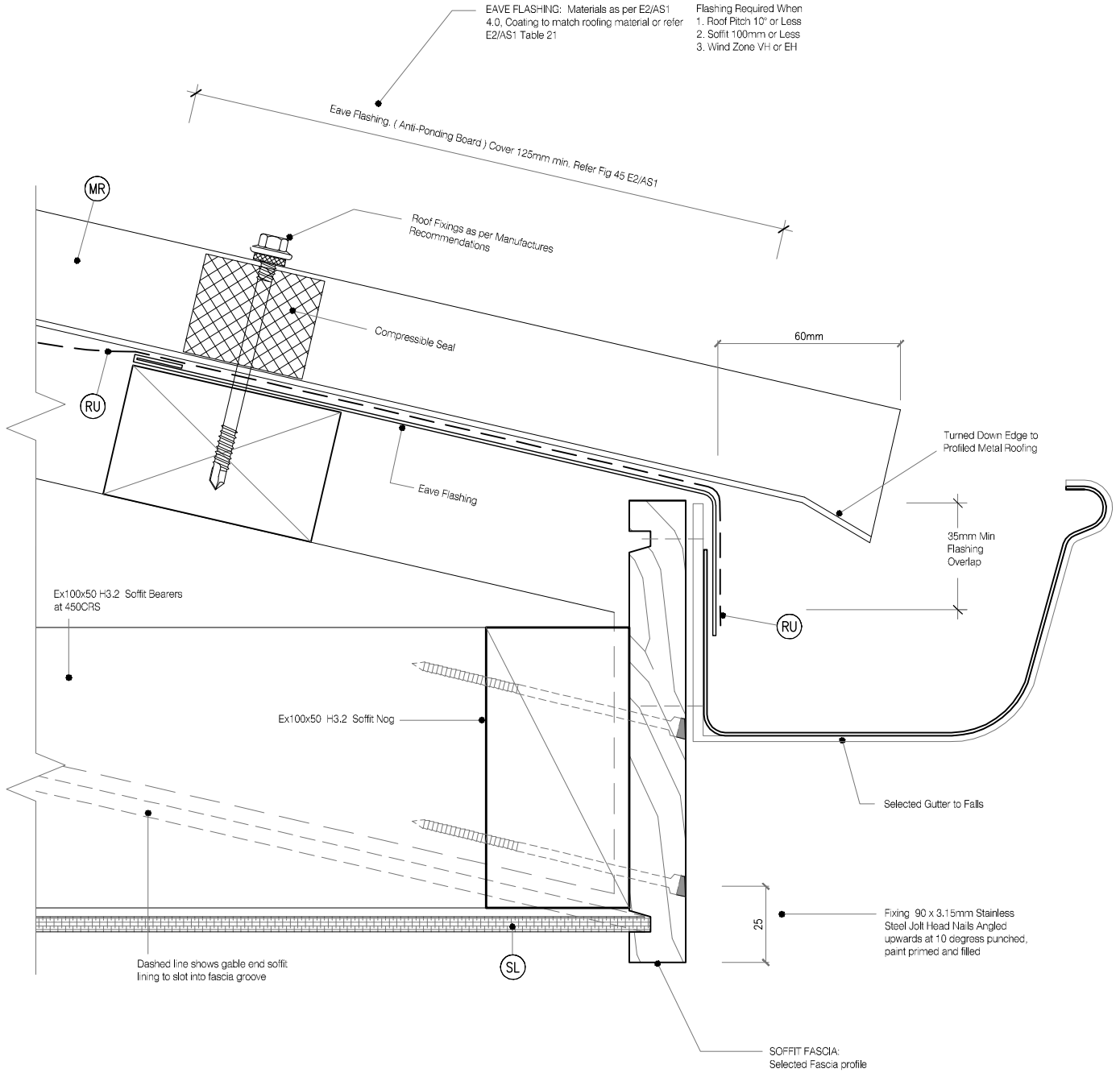
DRAWING SCALE
 1:2 @ A4

ISSUE DATE
 SEP 2023

DRAWING No SPP CF20 VS62
 REVISION

LEGEND :

- | | | |
|--|--|---|
| <p>(AF) APRON FLASHING: Materials as per E2/AS1 4.0, Coating to match roofing material or refer E2/AS1 Table 21. Flashing Cover 130mm min. (L,M & H ≥ 10°) All others 200mm Refer Table 7 E2/AS1</p> <p>(BW) BUILDING WRAP: Flexible Wall Underlay, As per NZBC E2/AS1 - Table 23. In extra high wind zones, Ridgid Underlay required (9.1.7.2 E2/AS1)</p> <p>(CC) CAVITY CLOSURE: Cavity closure strip, positioned to give a 15mm Min drip edge to cladding</p> <p>(CB1) CAVITY BATTEN, HORIZONTAL - NON STRUCTURAL : 20mm x 45mm SP Radiata Pine H3.2, Castellated with a 18 degree bevelled slope. To form a 20mm cavity</p> | <p>(CB3) CAVITY BATTEN, HORIZONTAL - STRUCTURALLY FIXED : 45mm x 45mm SP Radiata Pine, H3.2 70mm x 45mm SP Radiata Pine, H3.2 Castellated with a 18 degree bevelled slope. To form a 45mm cavity</p> <p>(CB2) CAVITY BATTEN, VERTICAL: 20mm x 45mm. To form a 20mm cavity. Standard H3.1 or castellated H3.2</p> <p>(IL) INTERNAL LINING: Selected Internal Lining</p> <p>(IN) INSULATION: Selected Insulation</p> <p>(HS) HEAD SOFFIT SCRIBER: Southern Pine Eaves Mould EM40x27. Fix with 75 x 3.15mm 316 S.S nail in 2,5mm predrilled hole</p> | <p>(MR) METAL ROOFING : Selected Metal Roofing</p> <p>(SL) SOFFIT LINING: Selected Soffit Lining</p> <p>(TF) TIMBER FRAME: H1.2 min treated timber framing</p> <p>(TP) TIMBER PACKER: H3.2 treated at 300crs to allow ventilation over the top of the wall.</p> <p>(RU) ROOFING UNDERLAY: Selected Roofing Underlay As Per AS/AZS4200 with Mesh or Self Supported</p> <p>(WB) WEATHER BOARD: Southern Pine Vertical Shiplap Weatherboard. Profile to NZS 3617</p> |
|--|--|---|



- DENDRO is Southern Pine's premium product range of H3.2 treated, solid, clear weatherboards. Manufactured from high quality, pruned NZ Radiata Pine. Product warranty, 25 years if used in accordance with the Installation & Maintenance Guide.
- All Southern Pine Weatherboard profiles have been machined to be compliant with NZS 3617 and BRANZ BU411
- The Southern Pine Weatherboard System, if designed and installed as per the Installation & Maintenance Guide, will meet

- the following provisions of the New Zealand Building Code (NZBC):
- Clause B1 Structure: Performance B1.3.1, B1.3.2, B1.3.4 (a), (b), (c), (d) and (e) for the
 - Clause B2 Durability: Performance B2.3.1(b) and B2.3.2(b)
 - Clause E2 External Moisture: Performance E2.3.2, E2.3.3, E2.3.5, E2.3.7(b) and (c)
 - Clause F2 Hazardous Building Materials: Performance F2.3.1

- This Weatherboard System must be installed by a qualified trade person. Restricted Building Work (RBW) requires a Licensed Building Practitioner (LBP) or supervised by an LBP. It is the specifier's responsibility to ensure that the details are appropriate for the intended application and that additional detailing is obtained for a specific design or any areas that fall outside the scope of the Southern Pine Products & E2/AS1 Acceptable solution.

DETAILS MAY BE SUBJECT TO CHANGE WITHOUT NOTICE



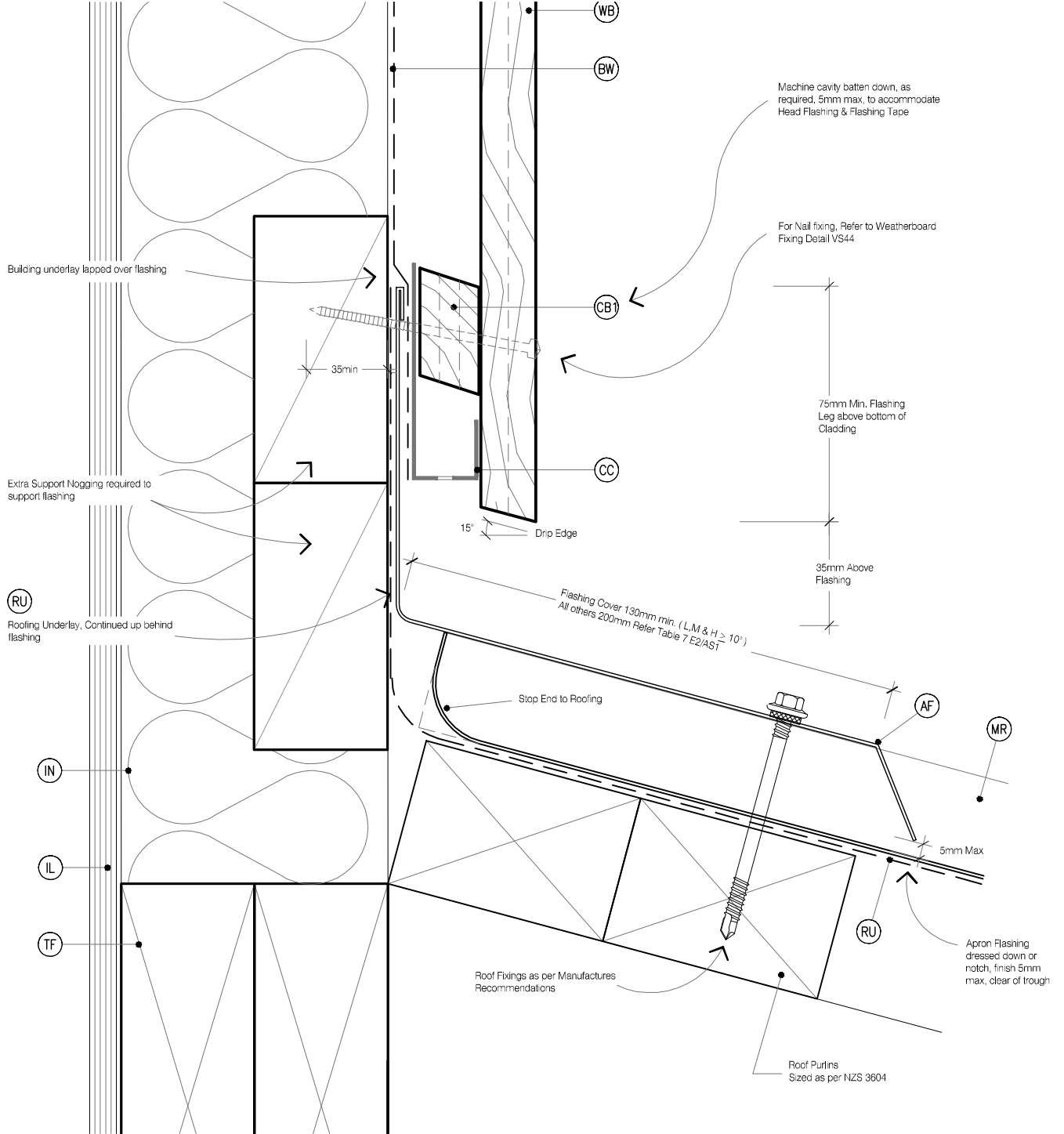
TYPE Southern Pine Products - H3.2 Treatment
 Vertical Shiplap WB - Cavity Fix
 NAME SOFFIT DETAIL AT FASCIA



DRAWING SCALE	ISSUE DATE
1:2 @ A4	SEP 2023
DRAWING No	REVISION
SPP CF20 VS63	

LEGEND :

- | | | |
|---|--|---|
| <p>(AF) APRON FLASHING: Materials as per E2/AS1 4.0, Coating to match roofing material or refer E2/AS1 Table 21. Flashing Cover 130mm min. (L, M & H ≥ 10°) All others 200mm Refer Table 7 E2/AS1</p> <p>(BW) BUILDING WRAP: Flexible Wall Underlay, As per NZBC E2/AS1 - Table 23. In extra high wind zones, Ridgid Underlay required (9.1.7.2 E2/AS1)</p> <p>(CC) CAVITY CLOSURE: Cavity closure strip, positioned to give a 15mm Min drip edge to cladding</p> <p>(CB1) CAVITY BATTEN, HORIZONTAL - NON STRUCTURAL : 20mm x 45mm SP Radiata Pine H3.2, Castelated with a 18 degree bevelled slope. To form a 20mm cavity</p> | <p>(CB3) CAVITY BATTEN, HORIZONTAL - STRUCTURALLY FIXED : 45mm x 45mm SP Radiata Pine, H3.2 70mm x 45mm SP Radiata Pine, H3.2 Castelated with a 18 degree bevelled slope. To form a 45mm cavity</p> <p>(CB2) CAVITY BATTEN, VERTICAL: 20mm x 45mm. To form a 20mm cavity. Standard H3.1 or castelated H3.2</p> <p>(IL) INTERNAL LINING: Selected Internal Lining</p> <p>(IN) INSULATION: Selected Insulation</p> <p>(HS) HEAD SOFFIT SCRIBER: Southern Pine Eaves Mould EM40x27. Fix with 75 x 3.15mm 316 S.S nail in 2,5mm predrilled hole</p> | <p>(MR) METAL ROOFING : Selected Metal Roofing</p> <p>(SL) SOFFIT LINING: Selected Soffit Lining</p> <p>(TF) TIMBER FRAME: H1.2 min treated timber framing</p> <p>(TP) TIMBER PACKER: H3.2 treated at 300crs to allow ventilation over the top of the wall.</p> <p>(RU) ROOFING UNDERLAY: Selected Roofing Underlay As Per AS/AZS4200 with Mesh or Self Supported</p> <p>(WB) WEATHER BOARD: Southern Pine Vertical Shiplap Weatherboard. Profile to NZS 3617</p> |
|---|--|---|



- DENDRO is Southern Pine's premium product range of H3.2 treated, solid, clear weatherboards. Manufactured from, high quality, pruned NZ Radiata Pine. Product warranty, 25 years if used in accordance with the Installation & Maintenance Guide.
- All Southern Pine Weatherboard profiles have been machined to be compliant with NZS 3617 and BRANZ BU411
- The Southern Pine Weatherboard System, if designed and installed as per the Installation & Maintenance Guide, will meet

- the following provisions of the New Zealand Building Code (NZBC):
- Clause B1 Structure: Performance B1.3.1, B1.3.2, B1.3.4 (a), (b), (c), (e) and (e) for the
 - Clause B2 Durability: Performance B2.3.1(b) and B2.3.2(b)
 - Clause E2 External Moisture: Performance E2.3.2, E2.3.3, E2.3.5, E2.3.7(b) and (c)
 - Clause F2 Hazardous Building Materials: Performance F2.3.1

- This Weatherboard System must be installed by a qualified trade person. Restricted Building Work (RBW) requires a Licensed Building Practitioner (LBP) or supervised by an LBP. It is the specifier's responsibility to ensure that the details are appropriate for the intended application and that additional detailing is obtained for a specific design or any areas that fall outside the scope of the Southern Pine Products & E2/AS1 Acceptable solution.

DETAILS MAY BE SUBJECT TO CHANGE WITHOUT NOTICE



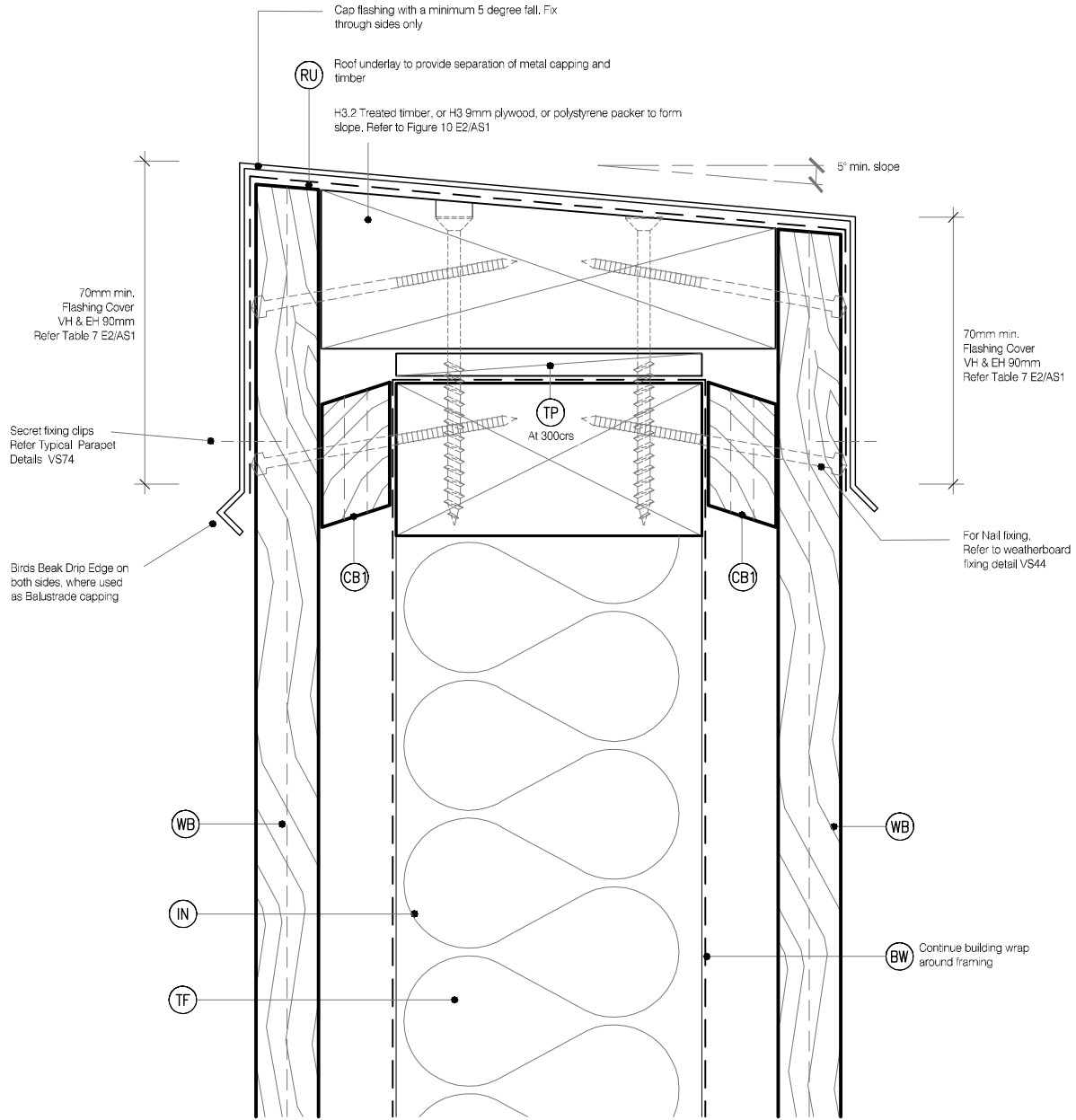
TYPE Southern Pine Products - H3.2 Treatment
 Vertical Shiplap WB - Cavity Fix
 NAME APRON FLASHING - ROOF TO WALL
 JUNCTION



DRAWING SCALE	ISSUE DATE
1:2 @ A4	SEP 2023
DRAWING No	REVISION
SPP CF20 VS64	

LEGEND :

- | | | |
|---|--|---|
| <p>(AF) APRON FLASHING: Materials as per E2/AS1 4.0, Coating to match roofing material or refer E2/AS1 Table 21. Flashing Cover 130mm min. (L,M & H ≥ 10°) All others 200mm Refer Table 7 E2/AS1</p> <p>(BW) BUILDING WRAP: Flexible Wall Underlay, As per NZBC E2/AS1 - Table 23. In extra high wind zones, Ridgid Underlay required (9.1.7.2 E2/AS1)</p> <p>(CC) CAVITY CLOSURE: Cavity closure strip, positioned to give a 15mm Min drip edge to cladding</p> <p>(CB1) CAVITY BATTEN, HORIZONTAL - NON STRUCTURAL : 20mm x 45mm SP Radiata Pine H3.2, Castellated with a 18 degree bevelled slope. To form a 20mm cavity</p> | <p>(CB3) CAVITY BATTEN, HORIZONTAL - STRUCTURALLY FIXED : 45mm x 45mm SP Radiata Pine, H3.2 70mm x 45mm SP Radiata Pine, H3.2 Castellated with a 18 degree bevelled slope. To form a 45mm cavity</p> <p>(CB2) CAVITY BATTEN, VERTICAL: 20mm x 45mm. To form a 20mm cavity. Standard H3.1 or castellated H3.2</p> <p>(IL) INTERNAL LINING: Selected Internal Lining</p> <p>(IN) INSULATION: Selected Insulation</p> <p>(HS) HEAD SOFFIT SCRIBER: Southern Pine Eaves Mould EM40x27. Fix with 75 x 3.15mm 316 S.S nail in 2.5mm predrilled hole</p> | <p>(MR) METAL ROOFING : Selected Metal Roofing</p> <p>(SL) SOFFIT LINING: Selected Soffit Lining</p> <p>(TF) TIMBER FRAME: H1.2 min treated timber framing</p> <p>(TP) TIMBER PACKER: H3.2 treated at 300crs to allow ventilation over the top of the wall.</p> <p>(RU) ROOFING UNDERLAY: Selected Roofing Underlay As Per AS/AZS4200 with Mesh or Self Supported</p> <p>(WB) WEATHER BOARD: Southern Pine Vertical Shiplap Weatherboard. Profile to NZS 3617</p> |
|---|--|---|



- DENDRO is Southern Pine's premium product range of H3.2 treated, solid, clear weatherboards. Manufactured from, high quality, pruned NZ Radiata Pine. Product warranty, 25 years if used in accordance with the Installation & Maintenance Guide.
- All Southern Pine Weatherboard profiles have been machined to be compliant with NZS 3617 and BRANZ BU411
- The Southern Pine Weatherboard System, if designed and installed as per the Installation & Maintenance Guide, will meet

- the following provisions of the New Zealand Building Code (NZBC):
- Clause B1 Structure: Performance B1.3.1, B1.3.2, B1.3.4 (a), (b), (c), (d) and (e) for the
 - Clause B2 Durability: Performance B2.3.1(b) and B2.3.2(b)
 - Clause E2 External Moisture: Performance E2.3.2, E2.3.3, E2.3.5, E2.3.7(b) and (c)
 - Clause F2 Hazardous Building Materials: Performance F2.3.1

- This Weatherboard System must be installed by a qualified trade person. Restricted Building Work (RBW) requires a Licensed Building Practitioner (LBP) or supervised by an LBP. It is the specifier's responsibility to ensure that the details are appropriate for the intended application and that additional detailing is obtained for a specific design or any areas that fall outside the scope of the Southern Pine Products & E2/AS1 Acceptable solution.

DETAILS MAY BE SUBJECT TO CHANGE WITHOUT NOTICE



TYPE Southern Pine Products - H3.2 Treatment
 Vertical Shiplap WB - Cavity Fix
 NAME BALUSTRADE CAPPING OR PARAPET DETAIL

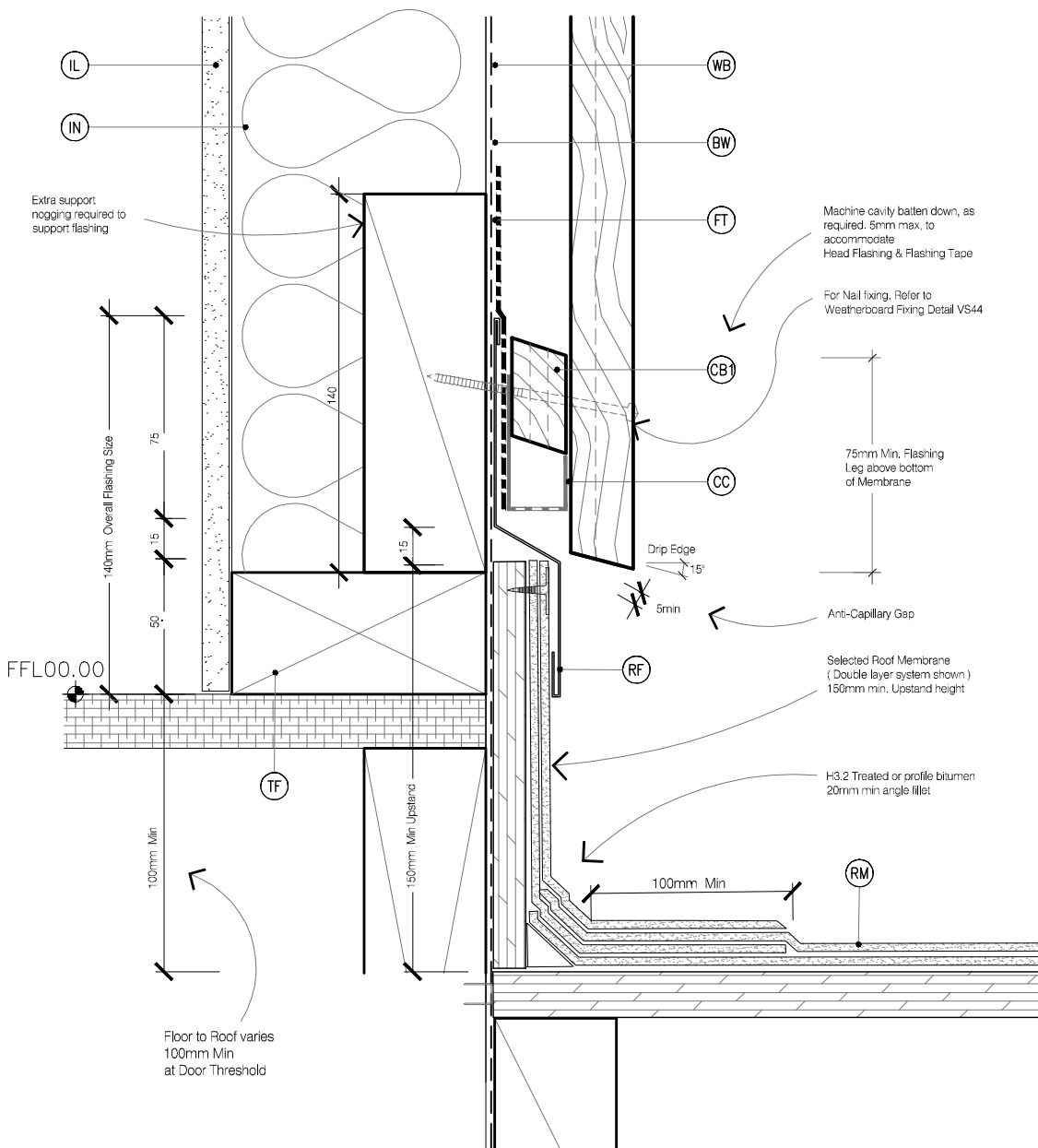


DRAWING SCALE 1:2 @ A4
 ISSUE DATE SEP 2023

DRAWING No SPP CF20 VS65
 REVISION

LEGEND :

- | | | |
|--|---|---|
| <p>(PSF) PARAPET SADDLE FLASHING: Materials as per E2/AS1 4.0, refer E2/AS1 Figure 11 & 12. Typically 0.45mm Min 316 Stainless Steel. Refer Table 20 & Table 21 for Comparability of Materials in Contact</p> <p>(BW) BUILDING WRAP: Flexible Wall Underlay, As per NZBC E2/AS1 - Table 23. In extra high wind zones, Ridgid Underlay required (9.1.7.2 E2/AS1)</p> <p>(CC) CAVITY CLOSURE: Cavity closure strip, positioned to give a 15mm Min drip edge to cladding</p> <p>(CB1) CAVITY BATTEN, HORIZONTAL - NON STRUCTURAL : 20mm x 45mm SP Radiata Pine H3.2, Castellated with a 18 degree bevelled slope. To form a 20mm cavity</p> | <p>(CB2) CAVITY BATTEN, VERTICAL: 20mm x 45mm. To form a 20mm cavity. Standard H3.1 or castellated H3.2</p> <p>(CB3) CAVITY BATTEN, HORIZONTAL - STRUCTURALLY FIXED : 45mm x 45mm SP Radiata Pine, H3.2 70mm x 45mm SP Radiata Pine, H3.2 Castellated with a 18 degree bevelled slope. To form a 45mm cavity</p> <p>(FT) FLASHING TAPE: As per E2/AS1 4.3.11</p> <p>(CF) CAP FLASHING: Continuous parapet flashing. Materials as per E2/AS1 4.3 + Figure 9 & Table 7</p> <p>(IL) INTERNAL LINING: Selected Internal Lining</p> | <p>(RM) ROOFING MEMBRANE: Selected System on 17mm CCA treated H3.2 grade plywood glued and screwed to Rafters. Roof Membrane requires 400mm solid block support each way & solid support to all sheet edges</p> <p>(IN) INSULATION: Selected Insulation</p> <p>(PB) PLYWOOD BACKING: 17mm CCA treated H3.2 grade plywood substrate</p> <p>(RF) ROOF FLASHING: Materials as per E2/AS1 4.3</p> <p>(WB) WEATHER BOARD: Southern Pine Vertical Shiplap Weatherboard. Profile to NZS 3617</p> <p>(TF) TIMBER FRAME: H1.2 min treated timber framing</p> |
|--|---|---|



- DENDRO is Southern Pine's premium product range of H3.2 treated, solid, clear weatherboards. Manufactured from high quality, pruned NZ Radiata Pine. Product warranty, 25 years if used in accordance with the Installation & Maintenance Guide.
- All Southern Pine Weatherboard profiles have been machined to be compliant with NZS 3617 and BRANZ BU411
- The Southern Pine Weatherboard System, if designed and installed as per the Installation & Maintenance Guide, will meet

the following provisions of the New Zealand Building Code (NZBC):

- Clause B1 Structure: Performance B1.3.1, B1.3.2, B1.3.4 (a), (b), (c), (d) and (e) for the
- Clause B2 Durability: Performance B2.3.1(b) and B2.3.2(b)
- Clause E2 External Moisture: Performance E2.3.2, E2.3.3, E2.3.5, E2.3.7(b) and (c)
- Clause F2 Hazardous Building Materials: Performance F2.3.1

- This Weatherboard System must be installed by a qualified trade person. Restricted Building Work (RBW) requires a Licensed Building Practitioner (LBP) or supervised by an LBP. It is the specifier's responsibility to ensure that the details are appropriate for the intended application and that additional detailing is obtained for a specific design or any areas that fall outside the scope of the Southern Pine Products & E2/AS1 Acceptable solution.

DETAILS MAY BE SUBJECT TO CHANGE WITHOUT NOTICE



TYPE Southern Pine Products - H3.2 Treatment
Vertical Shiplap WB - Cavity Fix

NAME BASE OF WALL, MEMBRANE ROOF



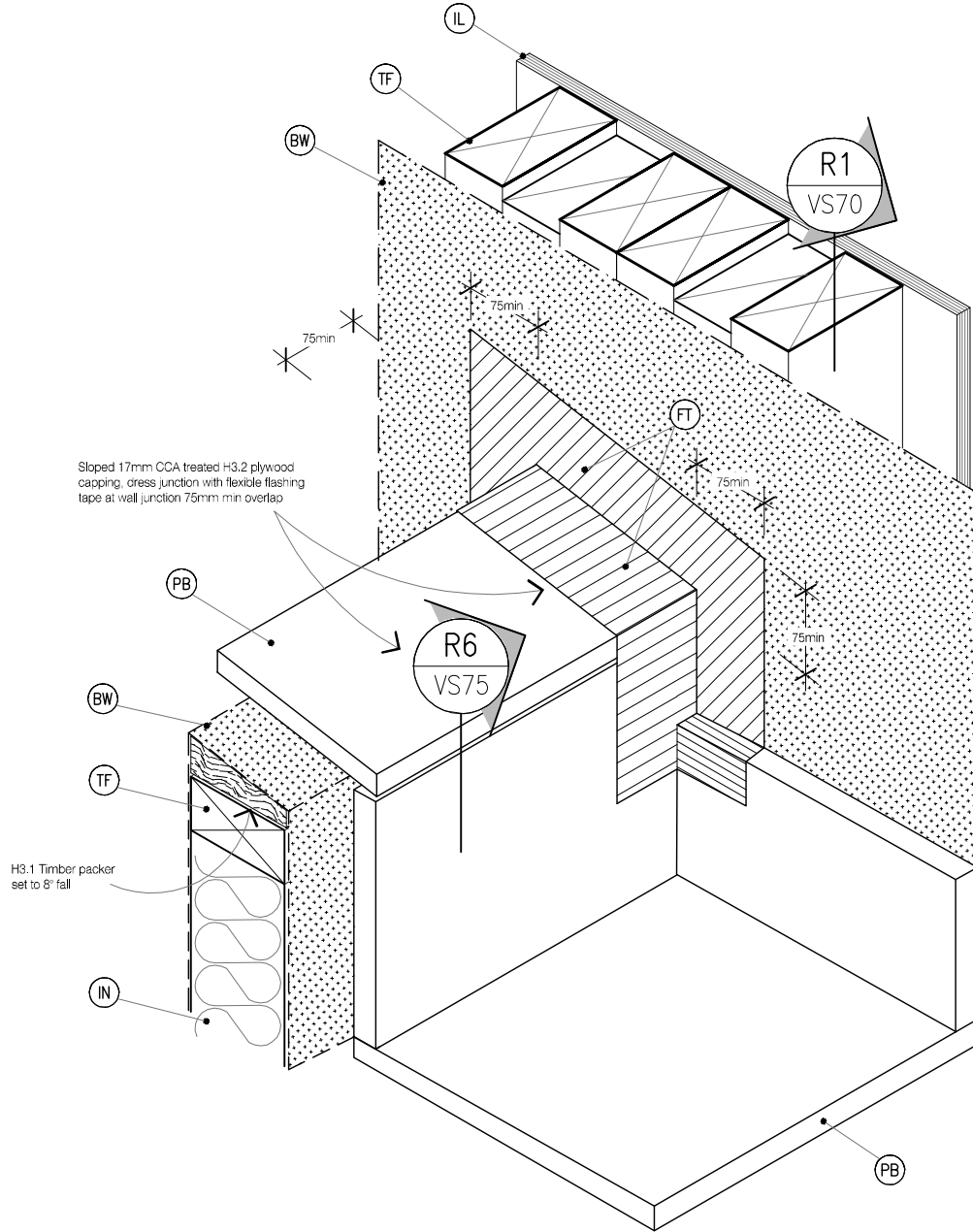
DRAWING SCALE
1:2.5 @ A4

ISSUE DATE
SEP 2023

DRAWING No SPP CF20 VS70 REVISION

LEGEND :

- | | | |
|--|---|---|
| <p>(PSF) PARAPET SADDLE FLASHING: Materials as per E2/AS1 4.0, refer E2/AS1 Figure 11 & 12. Typically 0.45mm Min 316 Stainless Steel. Refer Table 20 & Table 21 for Comparability of Materials in Contact</p> <p>(BW) BUILDING WRAP: Flexible Wall Underlay, As per NZBC E2/AS1 - Table 23. In extra high wind zones, Ridgid Underlay required (9.1.7.2 E2/AS1)</p> <p>(CC) CAVITY CLOSURE: Cavity closure strip, positioned to give a 15mm Min drip edge to cladding</p> <p>(CB1) CAVITY BATTEN, HORIZONTAL - NON STRUCTURAL : 20mm x 45mm SP Radiata Pine H3.2, Castellated with a 18 degree bevelled slope. To form a 20mm cavity</p> | <p>(CB2) CAVITY BATTEN, VERTICAL: 20mm x 45mm. To form a 20mm cavity. Standard H3.1 or castellated H3.2</p> <p>(CB3) CAVITY BATTEN, HORIZONTAL - STRUCTURALLY FIXED : 45mm x 45mm SP Radiata Pine, H3.2 70mm x 45mm SP Radiata Pine, H3.2 Castellated with a 18 degree bevelled slope. To form a 45mm cavity</p> <p>(FT) FLASHING TAPE: As per E2/AS1 4.3.11</p> <p>(CF) CAP FLASHING: Continuous parapet flashing. Materials as per E2/AS1 4.3 + Figure 9 & Table 7</p> <p>(IL) INTERNAL LINING: Selected Internal Lining</p> | <p>(RM) ROOFING MEMBRANE: Selected System on 17mm CCA treated H3.2 grade plywood glued and screwed to Rafters. Roof Membrane requires 400mm solid block support each way & solid support to all sheet edges</p> <p>(IN) INSULATION: Selected Insulation</p> <p>(PB) PLYWOOD BACKING: 17mm CCA treated H3.2 grade plywood substrate</p> <p>(RF) ROOF FLASHING: Materials as per E2/AS1 4.3</p> <p>(WB) WEATHER BOARD: Southern Pine Vertical Shiplap Weatherboard. Profile to NZS 3617</p> <p>(TF) TIMBER FRAME: H1.2 min treated timber framing</p> |
|--|---|---|



STAGE ONE



- DENDRO® is Southern Pine's premium product range of H3.2 treated, solid, clear weatherboards. Manufactured from, high quality, pruned NZ Radiata Pine. Product warranty, 25 years if used in accordance with the Installation & Maintenance Guide.
- All Southern Pine Weatherboard profiles have been machined to be compliant with NZS 3617 and BRANZ BU411
- The Southern Pine Weatherboard System, if designed and installed as per the Installation & Maintenance Guide, will meet

- the following provisions of the New Zealand Building Code (NZBC):
- Clause B1 Structure: Performance B1.3.1, B1.3.2, B1.3.4 (a), (b), (c), (d) and (e) for the
 - Clause B2 Durability: Performance B2.3.1(b) and B2.3.2(b)
 - Clause E2 External Moisture: Performance E2.3.2, E2.3.3, E2.3.5, E2.3.7(b) and (c)
 - Clause F2 Hazardous Building Materials: Performance F2.3.1

- This Weatherboard System must be installed by a qualified trade person. Restricted Building Work (RBW) requires a Licensed Building Practitioner (LBP) or supervised by an LBP. It is the specifier's responsibility to ensure that the details are appropriate for the intended application and that additional detailing is obtained for a specific design or any areas that fall outside the scope of the Southern Pine Products & E2/AS1 Acceptable solution.

DETAILS MAY BE SUBJECT TO CHANGE WITHOUT NOTICE



TYPE Southern Pine Products - H3.2 Treatment
 Vertical Shiplap WB - Cavity Fix

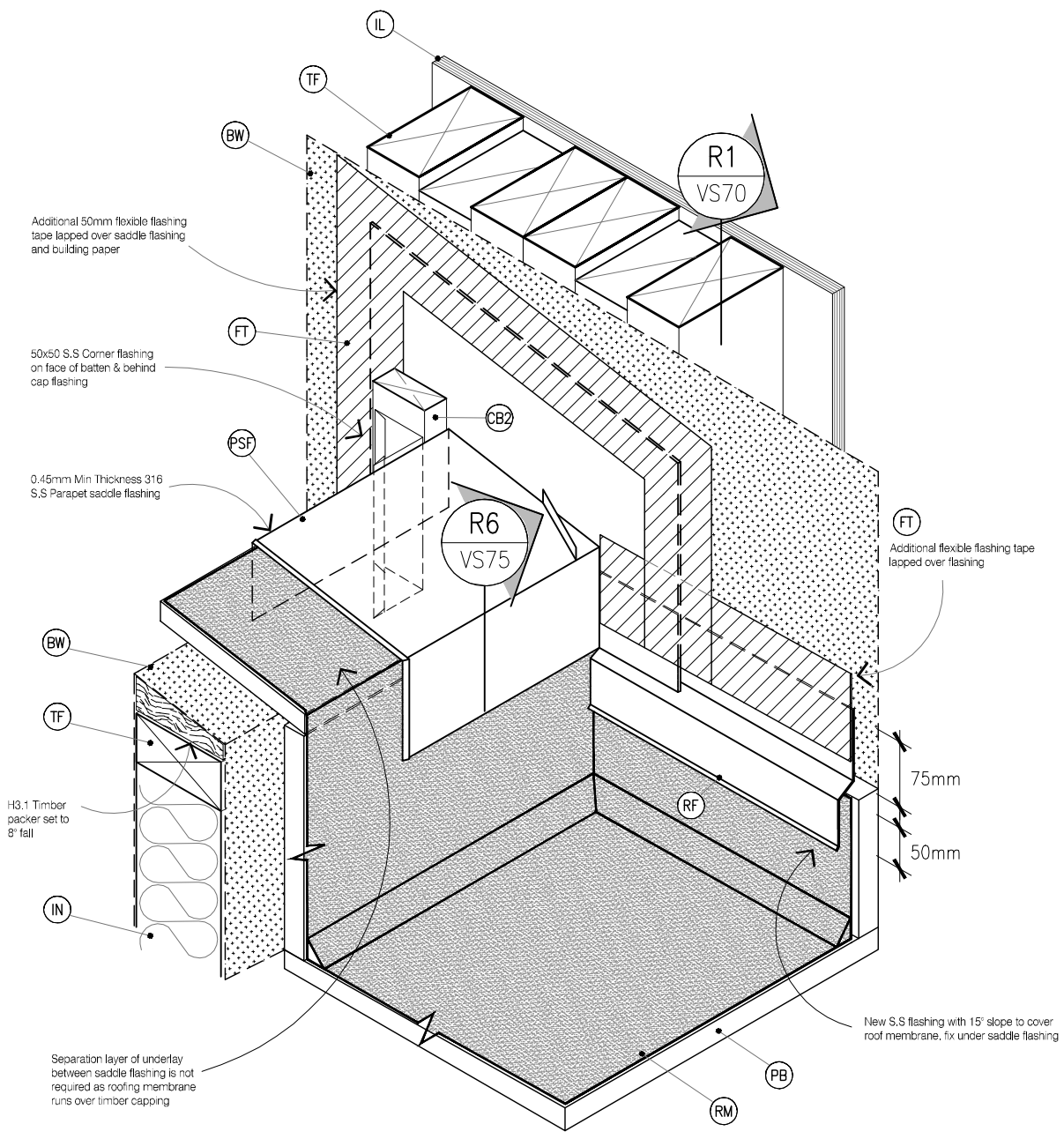
NAME DECK TO ROOF MEMBRANE -
 SADDLE FLASHING - STAGE ONE



DRAWING SCALE 1:5 @ A4	ISSUE DATE SEP 2023
DRAWING No SPP CF20 VS71	
REVISION	

LEGEND :

- | | | |
|--|---|---|
| <p>(PSF) PARAPET SADDLE FLASHING: Materials as per E2/AS1 4.0, refer E2/AS1 Figure 11 & 12. Typically 0.45mm Min 316 Stainless Steel. Refer Table 20 & Table 21 for Comparability of Materials in Contact</p> <p>(BW) BUILDING WRAP: Flexible Wall Underlay, As per NZBC E2/AS1 - Table 23. In extra high wind zones, Rigid Underlay required (9.1.7.2 E2/AS1)</p> <p>(CC) CAVITY CLOSURE: Cavity closure strip, positioned to give a 15mm Min drip edge to cladding</p> <p>(CB1) CAVITY BATTEN, HORIZONTAL - NON STRUCTURAL: 20mm x 45mm SP Radiata Pine H3.2, Castellated with a 18 degree bevelled slope. To form a 20mm cavity</p> | <p>(CB2) CAVITY BATTEN, VERTICAL: 20mm x 45mm. To form a 20mm cavity. Standard H3.1 or castellated H3.2</p> <p>(CB3) CAVITY BATTEN, HORIZONTAL - STRUCTURALLY FIXED: 45mm x 45mm SP Radiata Pine, H3.2 70mm x 45mm SP Radiata Pine, H3.2 Castellated with a 18 degree bevelled slope. To form a 45mm cavity</p> <p>(FT) FLASHING TAPE: As per E2/AS1 4.3.1.1</p> <p>(CF) CAP FLASHING: Continuous parapet flashing. Materials as per E2/AS1 4.3 + Figure 9 & Table 7</p> <p>(IL) INTERNAL LINING: Selected Internal Lining</p> | <p>(RM) ROOFING MEMBRANE: Selected System on 17mm CCA treated H3.2 grade plywood glued and screwed to Rafters. Roof Membrane requires 400mm solid block support each way & solid support to all sheet edges</p> <p>(IN) INSULATION: Selected Insulation</p> <p>(PB) PLYWOOD BACKING: 17mm CCA treated H3.2 grade plywood substrate</p> <p>(RF) ROOF FLASHING: Materials as per E2/AS1 4.3</p> <p>(WB) WEATHER BOARD: Southern Pine Vertical Shiplap Weatherboard. Profile to NZS 3617</p> <p>(TF) TIMBER FRAME: H1.2 min treated timber framing</p> |
|--|---|---|



STAGE TWO



- DENDRO® is Southern Pine's premium product range of H3.2 treated, solid, clear weatherboards. Manufactured from high quality, pruned NZ Radiata Pine. Product warranty, 25 years if used in accordance with the Installation & Maintenance Guide.
- All Southern Pine Weatherboard profiles have been machined to be compliant with NZS 3617 and BRANZ BU411
- The Southern Pine Weatherboard System, if designed and installed as per the Installation & Maintenance Guide, will meet

- the following provisions of the New Zealand Building Code (NZBC):
- Clause B1 Structure: Performance B1.3.1, B1.3.2, B1.3.4 (a), (b), (c), (d) and (e) for the
 - Clause B2 Durability: Performance B2.3.1(b) and B2.3.2(b)
 - Clause E2 External Moisture: Performance E2.3.2, E2.3.3, E2.3.5, E2.3.7(b) and (c)
 - Clause F2 Hazardous Building Materials: Performance F2.3.1

- This Weatherboard System must be installed by a qualified trade person. Restricted Building Work (RBW) requires a Licensed Building Practitioner (LBP) or supervised by an LBP. It is the specifier's responsibility to ensure that the details are appropriate for the intended application and that additional detailing is obtained for a specific design or any areas that fall outside the scope of the Southern Pine Products & E2/AS1 Acceptable solution.

DETAILS MAY BE SUBJECT TO CHANGE WITHOUT NOTICE



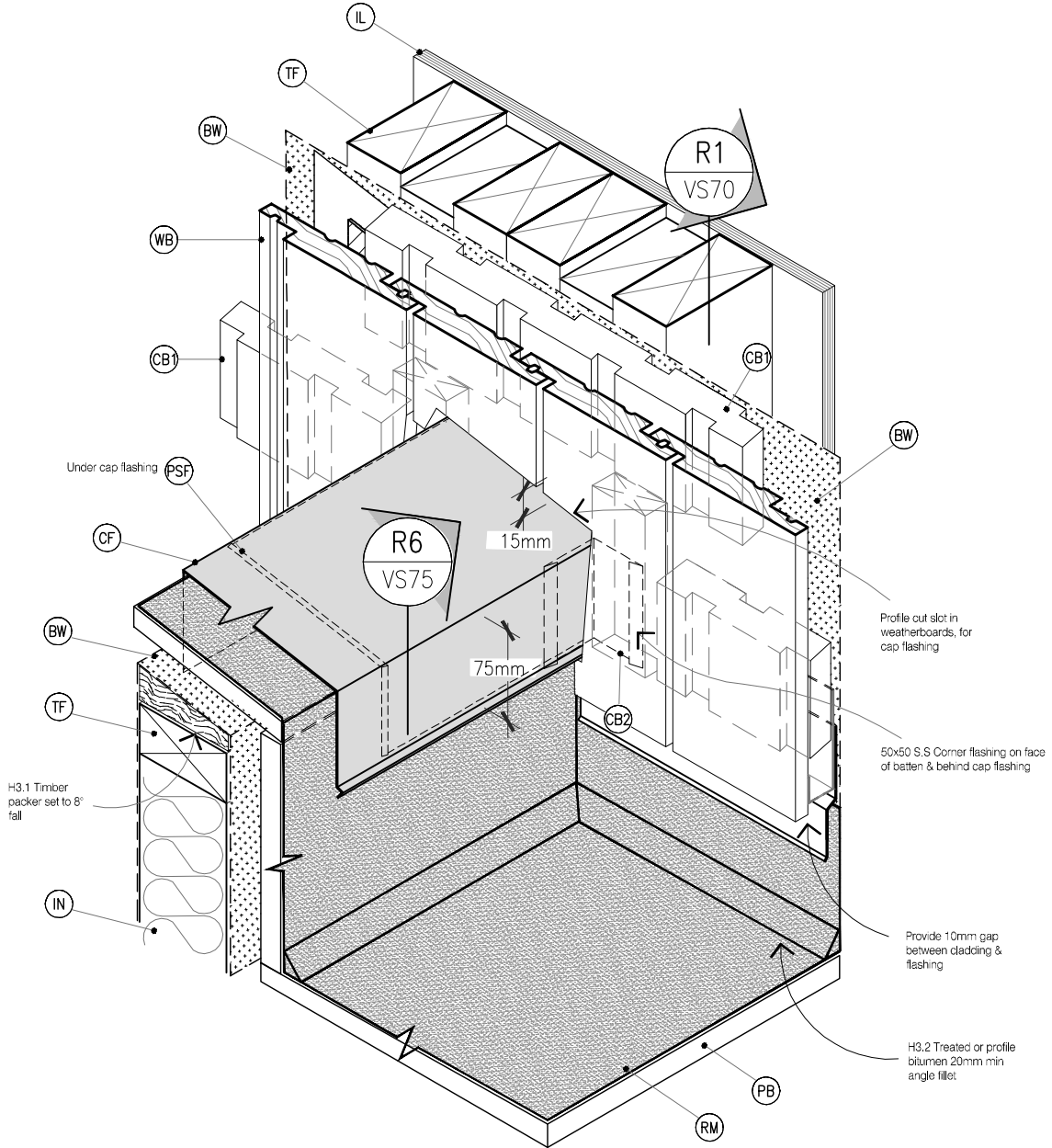
TYPE Southern Pine Products - H3.2 Treatment
 Vertical Shiplap WB - Cavity Fix
 NAME DECK TO ROOF MEMBRANE -
 SADDLE FLASHING - STAGE TWO



DRAWING SCALE 1:5 @ A4	ISSUE DATE SEP 2023
DRAWING No SPP CF20 VS72	REVISION

LEGEND :

- | | | |
|---|---|---|
| <p>(PSF) PARAPET SADDLE FLASHING: Materials as per E2/AS1 4.0, refer E2/AS1 Figure 11 & 12. Typically 0.45mm Min 316 Stainless Steel. Refer Table 20 & Table 21 for Comparability of Materials in Contact</p> <p>(BW) BUILDING WRAP: Flexible Wall Underlay, As per NZBC E2/AS1 - Table 23. In extra high wind zones, Rigid Underlay required (9.1.7.2 E2/AS1)</p> <p>(CC) CAVITY CLOSURE: Cavity closure strip, positioned to give a 15mm Min drip edge to cladding</p> <p>(CB1) CAVITY BATTEN, HORIZONTAL - NON STRUCTURAL : 20mm x 45mm SP Radiata Pine H3.2, Castellated with a 18 degree bevelled slope. To form a 20mm cavity</p> | <p>(CB2) CAVITY BATTEN, VERTICAL: 20mm x 45mm. To form a 20mm cavity. Standard H3.1 or castellated H3.2</p> <p>(CB3) CAVITY BATTEN, HORIZONTAL - STRUCTURALLY FIXED : 45mm x 45mm SP Radiata Pine, H3.2 70mm x 45mm SP Radiata Pine, H3.2 Castellated with a 18 degree bevelled slope. To form a 45mm cavity</p> <p>(FT) FLASHING TAPE: As per E2/AS1 4.3.11</p> <p>(CF) CAP FLASHING: Continuous parapet flashing. Materials as per E2/AS1 4.3 + Figure 9 & Table 7</p> <p>(IL) INTERNAL LINING: Selected Internal Lining</p> | <p>(RM) ROOFING MEMBRANE: Selected System on 17mm CCA treated H3.2 grade plywood glued and screwed to Rafters. Roof Membrane requires 400mm solid block support each way & solid support to all sheet edges</p> <p>(IN) INSULATION: Selected Insulation</p> <p>(PB) PLYWOOD BACKING: 17mm CCA treated H3.2 grade plywood substrate</p> <p>(RF) ROOF FLASHING: Materials as per E2/AS1 4.3</p> <p>(WB) WEATHER BOARD: Southern Pine Vertical Shiplap Weatherboard. Profile to NZS 3617</p> <p>(TF) TIMBER FRAME: H1.2 min treated timber framing</p> |
|---|---|---|



STAGE THREE

- | | | |
|---|--|---|
| <p>1. DENDRO® is Southern Pine's premium product range of H3.2 treated, solid, clear weatherboards. Manufactured from, high quality, pruned NZ Radiata Pine. Product warranty, 25 years if used in accordance with the Installation & Maintenance Guide.</p> <p>2. All Southern Pine Weatherboard profiles have been machined to be compliant with NZS 3617 and BRANZ BU411</p> <p>3. The Southern Pine Weatherboard System, if designed and installed as per the Installation & Maintenance Guide, will meet</p> | <p>the following provisions of the New Zealand Building Code (NZBC):</p> <ul style="list-style-type: none"> • Clause B1 Structure: Performance B1.3.1, B1.3.2, B1.3.4 (a), (b), (c), (d) and (e) for the • Clause B2 Durability: Performance B2.3.1(b) and B2.3.2(b) • Clause E2 External Moisture: Performance E2.3.2, E2.3.3, E2.3.5, E2.3.7(b) and (c) • Clause F2 Hazardous Building Materials: Performance F2.3.1 | <p>4. This Weatherboard System must be installed by a qualified trade person. Restricted Building Work (RBW) requires a Licensed Building Practitioner (LBP) or supervised by an LBP. It is the specifier's responsibility to ensure that the details are appropriate for the intended application and that additional detailing is obtained for a specific design or any areas that fall outside the scope of the Southern Pine Products & E2/AS1 Acceptable solution.</p> |
|---|--|---|



DETAILS MAY BE SUBJECT TO CHANGE WITHOUT NOTICE



TYPE Southern Pine Products - H3.2 Treatment
 Vertical Shiplap WB - Cavity Fix
 NAME

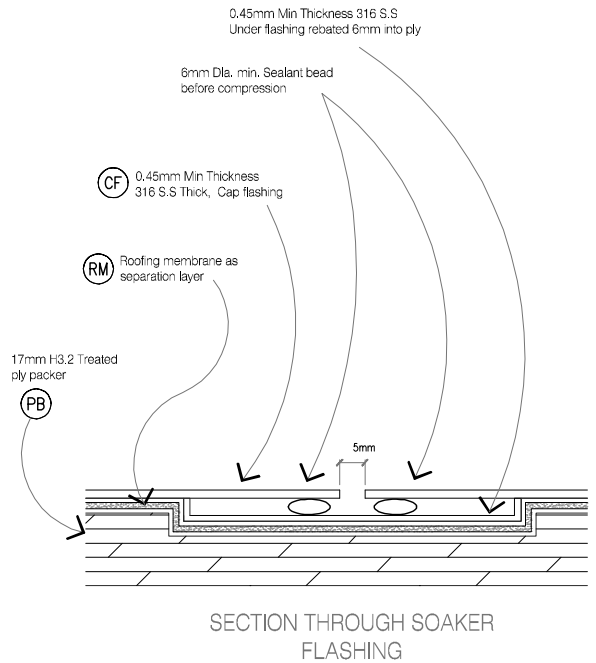
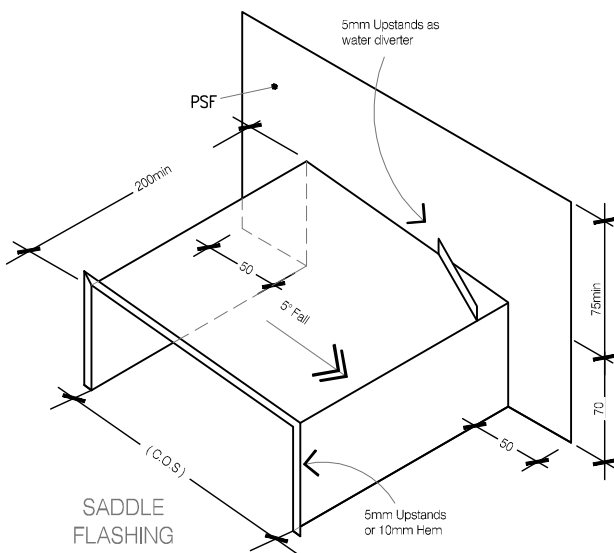
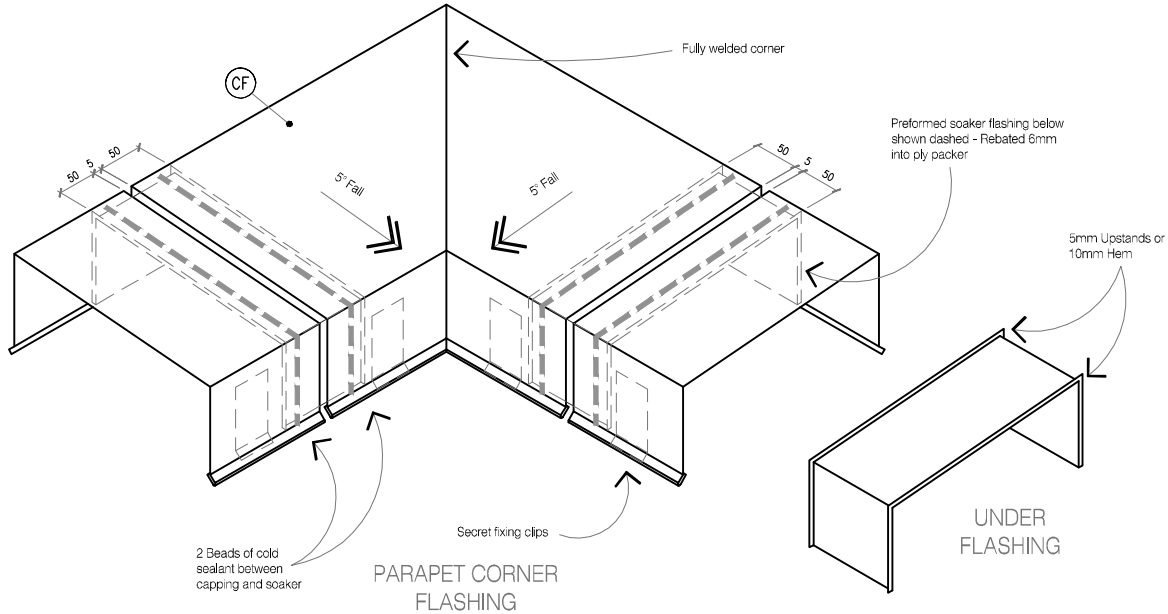
DECK TO ROOF MEMBRANE -
 SADDLE FLASHING - STAGE THREE



DRAWING SCALE	ISSUE DATE
1:5 @ A4	SEP 2023
DRAWING No	REVISION
SPP CF20 VS73	

LEGEND :

- | | | |
|--|--|---|
| <p>(PSF) PARAPET SADDLE FLASHING: Materials as per E2/AS1 4.0, refer E2/AS1 Figure 11 & 12. Typically 0.45mm Min 316 Stainless Steel. Refer Table 20 & Table 21 for Comparability of Materials in Contact</p> <p>(BW) BUILDING WRAP: Flexible Wall Underlay, As per NZBC E2/AS1 - Table 23. In extra high wind zones, Ridgid Underlay required (9.1.7.2 E2/AS1)</p> <p>(CC) CAVITY CLOSURE: Cavity closure strip, positioned to give a 15mm Min drip edge to cladding</p> <p>(CB1) CAVITY BATTEN, HORIZONTAL - NON STRUCTURAL : 20mm x 45mm SP Radiata Pine H3.2, Castellated with a 18 degree bevelled slope. To form a 20mm cavity</p> | <p>(CB2) CAVITY BATTEN, VERTICAL: 20mm x 45mm. To form a 20mm cavity. Standard H3.1 or castellated H3.2</p> <p>(CB3) CAVITY BATTEN, HORIZONTAL - STRUCTURALLY FIXED : 45mm x 45mm SP Radiata Pine, H3.2 70mm x 45mm SP Radiata Pine, H3.2 Castellated with a 18 degree bevelled slope. To form a 45mm cavity</p> <p>(FT) FLASHING TAPE: As per E2/AS1 4.3.1.1</p> <p>(CF) CAP FLASHING: Continuous parapet flashing. Materials as per E2/AS1 4.3 + Figure 9 & Table 7</p> <p>(IL) INTERNAL LINING: Selected Internal Lining</p> | <p>(RM) ROOFING MEMBRANE: Selected System on 17mm CCA treated H3.2 grade plywood glued and screwed to Rafters. Roof Membrane requires 400mm solid block support each way & solid support to all sheet edges</p> <p>(IN) INSULATION: Selected Insulation</p> <p>(PB) PLYWOOD BACKING: 17mm CCA treated H3.2 grade plywood substrate</p> <p>(RF) ROOF FLASHING: Materials as per E2/AS1 4.3</p> <p>(WB) WEATHER BOARD: Southern Pine Vertical Shiplap Weatherboard. Profile to NZS 3617</p> <p>(TF) TIMBER FRAME: H1.2 min treated timber framing</p> |
|--|--|---|



- DENDRO is Southern Pine's premium product range of H3.2 treated, solid, clear weatherboards. Manufactured from high quality, pruned NZ Radiata Pine. Product warranty, 25 years if used in accordance with the Installation & Maintenance Guide.
- All Southern Pine Weatherboard profiles have been machined to be compliant with NZS 3617 and BRANZ BU411
- The Southern Pine Weatherboard System, if designed and installed as per the Installation & Maintenance Guide, will meet

- the following provisions of the New Zealand Building Code (NZBC):
- Clause B1 Structure: Performance B1.3.1, B1.3.2, B1.3.4 (a), (b), (c), (e) and (f) for the
 - Clause B2 Durability: Performance B2.3.1(b) and B2.3.2(b)
 - Clause E2 External Moisture: Performance E2.3.2, E2.3.3, E2.3.5, E2.3.7(b) and (c)
 - Clause F2 Hazardous Building Materials: Performance F2.3.1

- This Weatherboard System must be installed by a qualified trade person. Restricted Building Work (RBW) requires a Licensed Building Practitioner (LBP) or supervised by an LBP. It is the specifier's responsibility to ensure that the details are appropriate for the intended application and that additional detailing is obtained for a specific design or any areas that fall outside the scope of the Southern Pine Products & E2/AS1 Acceptable solution.

DETAILS MAY BE SUBJECT TO CHANGE WITHOUT NOTICE



TYPE Southern Pine Products - H3.2 Treatment
Vertical Shiplap WB - Cavity Fix

NAME TYPICAL PARAPET CAPPING
JOINT DETAILS



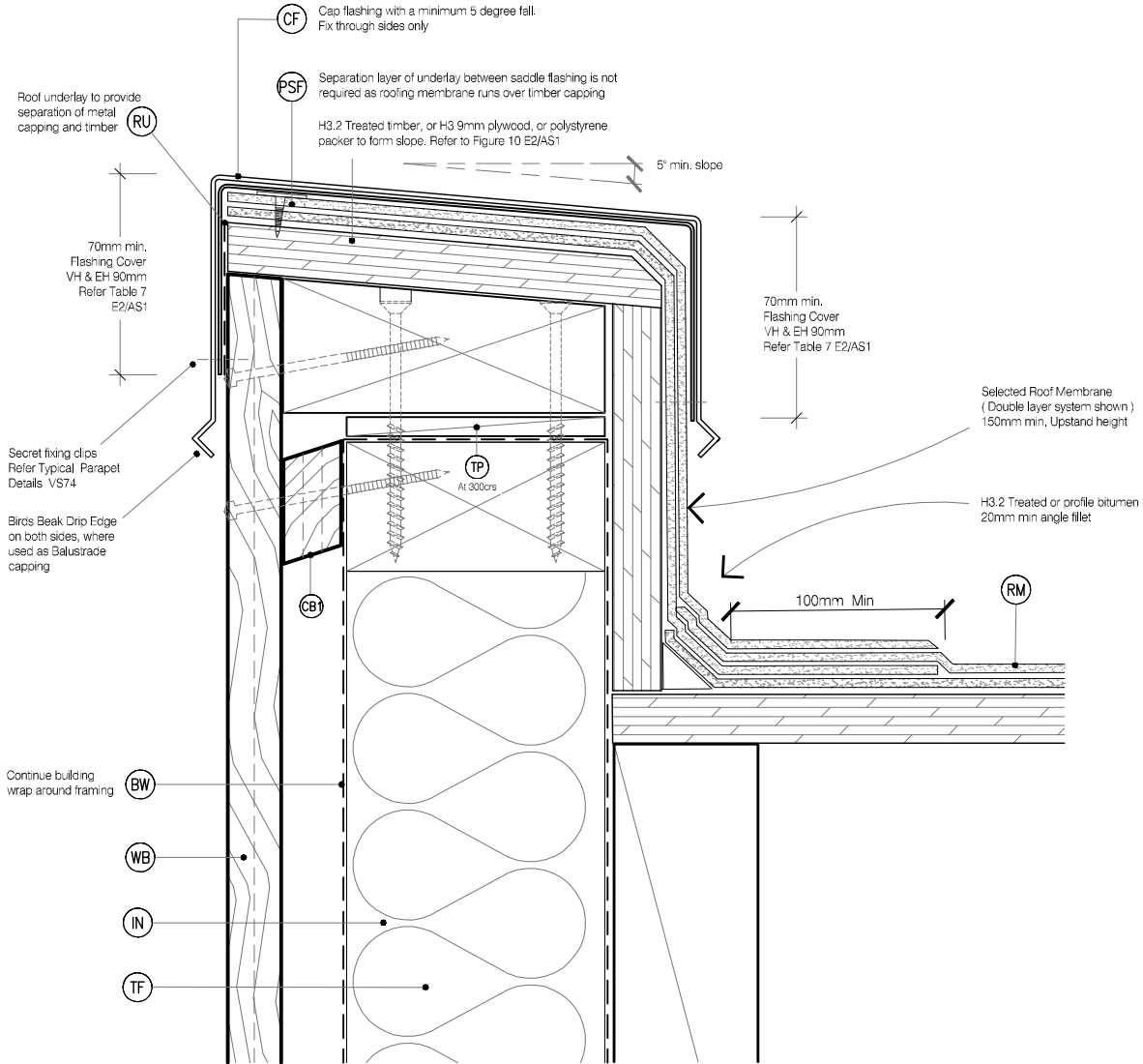
DRAWING SCALE
1:5 @ A4

ISSUE DATE
SEP 2023

DRAWING No SPP CF20 VS74
REVISION

LEGEND :

- | | | |
|--|--|---|
| <p>(PSF) PARAPET SADDLE FLASHING: Materials as per E2/AS1 4.0, refer E2/AS1 Figure 11 & 12. Typically 0.45mm Min 316 Stainless Steel. Refer Table 20 & Table 21 for Comparability of Materials in Contact</p> <p>(BW) BUILDING WRAP: Flexible Wall Underlay, As per NZBC E2/AS1 - Table 23. In extra high wind zones, Ridgid Underlay required (9.1.7.2 E2/AS1)</p> <p>(CC) CAVITY CLOSURE: Cavity closure strip, positioned to give a 15mm Min drip edge to cladding</p> <p>(CB1) CAVITY BATTEN, HORIZONTAL - NON STRUCTURAL : 20mm x 45mm SP Radiata Pine H3.2, Castellated with a 18 degree bevelled slope. To form a 20mm cavity</p> | <p>(CB2) CAVITY BATTEN, VERTICAL: 20mm x 45mm. To form a 20mm cavity. Standard H3.1 or castellated H3.2</p> <p>(CB3) CAVITY BATTEN, HORIZONTAL - STRUCTURALLY FIXED : 45mm x 45mm SP Radiata Pine, H3.2 70mm x 45mm SP Radiata Pine, H3.2 Castellated with a 18 degree bevelled slope. To form a 45mm cavity</p> <p>(FT) FLASHING TAPE: As per E2/AS1 4.3.1.1</p> <p>(CF) CAP FLASHING: Continuous parapet flashing. Materials as per E2/AS1 4.3 + Figure 9 & Table 7</p> <p>(IL) INTERNAL LINING: Selected Internal Lining</p> | <p>(RM) ROOFING MEMBRANE: Selected System on 17mm CCA treated H3.2 grade plywood glued and screwed to Rafters. Roof Membrane requires 400mm solid block support each way & solid support to all sheet edges</p> <p>(IN) INSULATION: Selected Insulation</p> <p>(PB) PLYWOOD BACKING: 17mm CCA treated H3.2 grade plywood substrate</p> <p>(RF) ROOF FLASHING: Materials as per E2/AS1 4.3</p> <p>(WB) WEATHER BOARD: Southern Pine Vertical Shiplap Weatherboard. Profile to NZS 3617</p> <p>(TF) TIMBER FRAME: H1.2 min treated timber framing</p> |
|--|--|---|



DETAILS MAY BE SUBJECT TO CHANGE WITHOUT NOTICE

- DENDRO is Southern Pine's premium product range of H3.2 treated, solid, clear weatherboards. Manufactured from, high quality, pruned NZ Radiata Pine. Product warranty, 25 years if used in accordance with the Installation & Maintenance Guide.
- All Southern Pine Weatherboard profiles have been machined to be compliant with NZS 3617 and BRANZ BU411
- The Southern Pine Weatherboard System, if designed and installed as per the Installation & Maintenance Guide, will meet

the following provisions of the New Zealand Building Code (NZBC):

- Clause B1 Structure: Performance B1.3.1, B1.3.2, B1.3.4 (a), (b), (c), (d) and (e) for the
- Clause B2 Durability: Performance B2.3.1(b) and B2.3.2(b)
- Clause E2 External Moisture: Performance E2.3.2, E2.3.3, E2.3.5, E2.3.7(b) and (c)
- Clause F2 Hazardous Building Materials: Performance F2.3.1

- This Weatherboard System must be installed by a qualified trade person. Restricted Building Work (RBW) requires a Licensed Building Practitioner (LBP) or supervised by an LBP. It is the specifier's responsibility to ensure that the details are appropriate for the intended application and that additional detailing is obtained for a specific design or any areas that fall outside the scope of the Southern Pine Products & E2/AS1 Acceptable solution.



TYPE Southern Pine Products - H3.2 Treatment
 Vertical Shiplap WB - Cavity Fix
 NAME PARAPET SECTION TO
 MEMBRANE ROOF



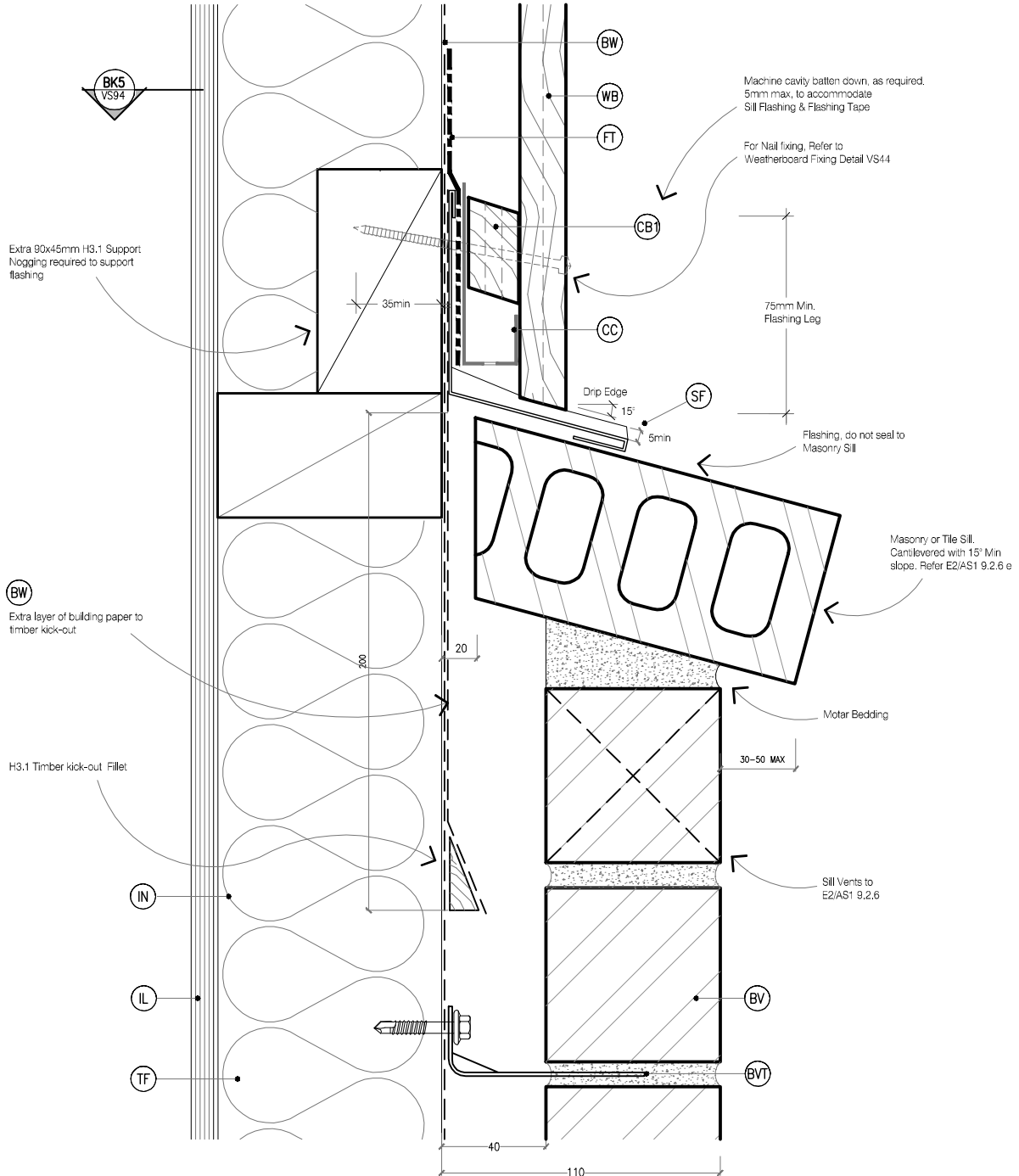
DRAWING SCALE
 1:2.5 @ A4

ISSUE DATE
 SEP 2023

DRAWING No SPP CF20 VS75
 REVISION

LEGEND :

- | | | |
|---|--|---|
| <p>(SF) SILL FLASHING: Continuous flashing on 15° min slope with turn back ends at end of walls. Materials as per E2/AS1 4.0 Typically 0.45mm Min 316 Stainless Steel.</p> <p>(BW) BUILDING WRAP: Flexible Wall Underlay, As per NZBC E2/AS1 - Table 23, In extra high wind zones, Rigid Underlay required (9.1.7.2 E2/AS1)</p> <p>(BV) BRICK VENEER: Selected brick veneer. Typically 70 series clay brick veneer on 40mm cavity</p> <p>(FT) FLASHING TAPE: As per E2/AS1 4.3.11</p> <p>(BVT) BRICK VENEER TIES: Stainless Steel brick Veneer ties screw fixed to framing - spacing NZS4210, ties to be within 300mm of internal or external corner</p> | <p>(CB1) CAVITY BATTEN, HORIZONTAL - NON STRUCTURAL : 20mm x 45mm SPP Radiata Pine H3.2, Castellated with a 18 degree bevelled slope. To form a 20mm cavity</p> <p>(CB2) CAVITY BATTEN, VERTICAL: 20mm x 45mm. To form a 20mm cavity. Standard H3.1 or castellated H3.2</p> <p>(CB3) CAVITY BATTEN, HORIZONTAL - STRUCTURALLY FIXED : 45mm x 45mm SP Radiata Pine, H3.2 70mm x 45mm SP Radiata Pine, H3.2 Castellated with a 18 degree bevelled slope. To form a 45mm cavity</p> <p>(CC) CAVITY CLOSURE: Cavity closure strip, positioned to give a 15mm Min drip edge to cladding</p> | <p>(CF) CORNER FLASHING: 316 Stainless Steel corner flashing. Refer NZBC E2/AS1 4.3. 75x75 Hem or Hook to Flashing Edges. EXTRA HIGH WIND ZONE 100x100 Hem or Hook to Flashing Edges</p> <p>(IL) INTERNAL LINING: Selected Internal Lining</p> <p>(IN) INSULATION: Selected Insulation</p> <p>(TF) TIMBER FRAME: H1.2 min treated timber framing</p> <p>(WB) WEATHER BOARD: Southern Pine Vertical Shiplap Weatherboard. Profile to NZS 3617</p> <p>(FF) FLAT FLASHING: 316 Stainless Steel 100mm Hem or Hook to Flashing Edges. EXTRA HIGH WIND ZONE 150mm Hem or Hook to Flashing Edges</p> |
|---|--|---|



- DENDRO is Southern Pine's premium product range of H3.2 treated, solid, clear weatherboards. Manufactured from high quality, pruned NZ Radiata Pine. Product warranty, 25 years if used in accordance with the Installation & Maintenance Guide.
- All Southern Pine Weatherboard profiles have been machined to be compliant with NZS 3617 and BRANZ BU411
- The Southern Pine Weatherboard System, if designed and installed as per the Installation & Maintenance Guide, will meet

- the following provisions of the New Zealand Building Code (NZBC):
- Clause B1 Structure: Performance B1.3.1, B1.3.2, B1.3.4 (a), (b), (c), (d) and (e) for the
 - Clause B2 Durability: Performance B2.3.1(b) and B2.3.2(b)
 - Clause E2 External Moisture: Performance E2.3.2, E2.3.3, E2.3.5, E2.3.7(b) and (c)
 - Clause F2 Hazardous Building Materials: Performance F2.3.1

- This Weatherboard System must be installed by a qualified trade person. Restricted Building Work (RBW) requires a Licensed Building Practitioner (LBP) or supervised by an LBP. It is the specifier's responsibility to ensure that the details are appropriate for the intended application and that additional detailing is obtained for a specific design or any areas that fall outside the scope of the Southern Pine Products & E2/AS1 Acceptable solution.

DETAILS MAY BE SUBJECT TO CHANGE WITHOUT NOTICE



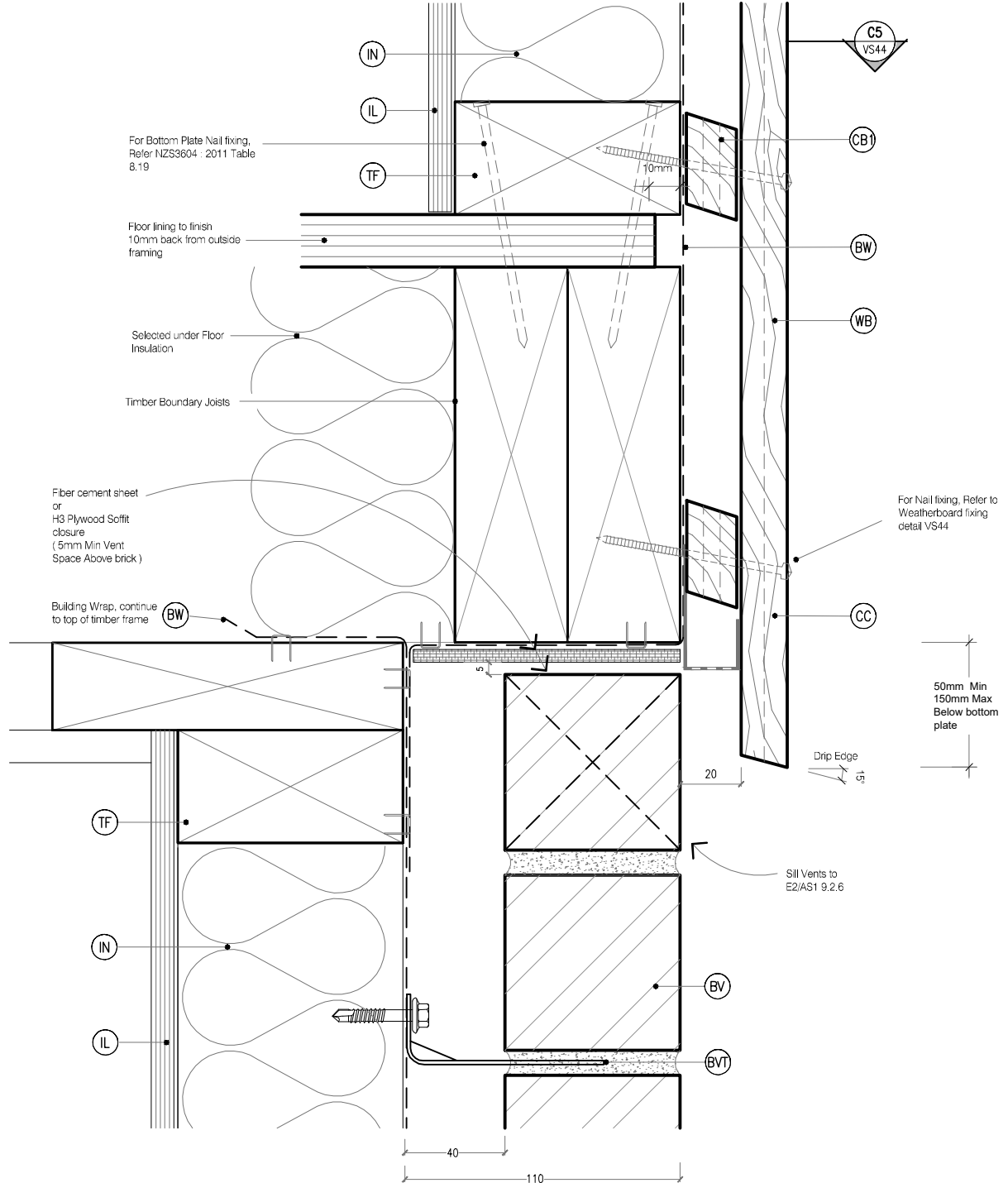
TYPE Southern Pine Products - H3.2 Treatment
 Vertical Shiplap WB - Cavity Fix
 NAME HALF WALL - SILL WEATHERBOARD TO BRICK



DRAWING SCALE	ISSUE DATE
1:2.5 @ A4	SEP 2023
DRAWING No	REVISION
SPP CF20 VS90	

LEGEND :

- | | | |
|---|--|---|
| <p>(SF) SILL FLASHING: Continuous flashing on 15° min slope with turn back ends at end of walls. Materials as per E2/AS1 4.0 Typically 0.45mm Min 316 Stainless Steel.</p> <p>(BW) BUILDING WRAP: Flexible Wall Underlay, As per NZBC E2/AS1 - Table 23. In extra high wind zones, Rigid Underlay required (9.1.7.2 E2/AS1)</p> <p>(BV) BRICK VENEER: Selected brick veneer. Typically 70 series clay brick veneer on 40mm cavity</p> <p>(FT) FLASHING TAPE: As per E2/AS1 4.3.11</p> <p>(BVT) BRICK VENEER TIES: Stainless Steel brick Veneer ties screw fixed to framing - spacing NZS4210, ties to be within 300mm of internal or external corner</p> | <p>(CB1) CAVITY BATTEN, HORIZONTAL - NON STRUCTURAL : 20mm x 45mm SPP Radiata Pine H3.2, Castellated with a 18 degree bevelled slope. To form a 20mm cavity</p> <p>(CB2) CAVITY BATTEN, VERTICAL: 20mm x 45mm. To form a 20mm cavity. Standard H3.1 or castellated H3.2</p> <p>(CB3) CAVITY BATTEN, HORIZONTAL - STRUCTURALLY FIXED : 45mm x 45mm SP Radiata Pine, H3.2 70mm x 45mm SP Radiata Pine, H3.2 Castellated with a 18 degree bevelled slope. To form a 45mm cavity</p> <p>(CC) CAVITY CLOSURE: Cavity closure strip, positioned to give a 15mm Min drip edge to cladding</p> | <p>(CF) CORNER FLASHING: 316 Stainless Steel corner flashing. Refer NZBC E2/AS1 4.3. 75x75 Hem or Hook to Flashing Edges. EXTRA HIGH WIND ZONE 100x100 Hem or Hook to Flashing Edges</p> <p>(IL) INTERNAL LINING: Selected Internal Lining</p> <p>(IN) INSULATION: Selected Insulation</p> <p>(TF) TIMBER FRAME: H1.2 min treated timber framing</p> <p>(WB) WEATHER BOARD: Southern Pine Vertical Shiplap Weatherboard. Profile to NZS 3617</p> <p>(FF) FLAT FLASHING: 316 Stainless Steel 100mm Hem or Hook to Flashing Edges. EXTRA HIGH WIND ZONE 150mm Hem or Hook to Flashing Edges</p> |
|---|--|---|



DETAILS MAY BE SUBJECT TO CHANGE WITHOUT NOTICE

- DENDRO® is Southern Pine's premium product range of H3.2 treated, solid, clear weatherboards. Manufactured from, high quality, pruned NZ Radiata Pine. Product warranty, 25 years if used in accordance with the Installation & Maintenance Guide.
- All Southern Pine Weatherboard profiles have been machined to be compliant with NZS 3617 and BRANZ BU411
- The Southern Pine Weatherboard System, if designed and installed as per the Installation & Maintenance Guide, will meet

the following provisions of the New Zealand Building Code (NZBC):

- Clause B1 Structure: Performance B1.3.1, B1.3.2, B1.3.4 (a), (b), (c), (e) and (f) for the
- Clause B2 Durability: Performance B2.3.1(b) and B2.3.2(b)
- Clause E2 External Moisture: Performance E2.3.2, E2.3.3, E2.3.5, E2.3.7(b) and (c)
- Clause F2 Hazardous Building Materials: Performance F2.3.1

- This Weatherboard System must be installed by a qualified trade person. Restricted Building Work (RBW) requires a Licensed Building Practitioner (LBP) or supervised by an LBP. It is the specifier's responsibility to ensure that the details are appropriate for the intended application and that additional detailing is obtained for a specific design or any areas that fall outside the scope of the Southern Pine Products & E2/AS1 Acceptable solution.



TYPE Southern Pine Products - H3.2 Treatment
 Vertical Shiplap WB - Cavity Fix
 NAME CANTILEVER FLOOR - BRICK TO WEATHERBOARD



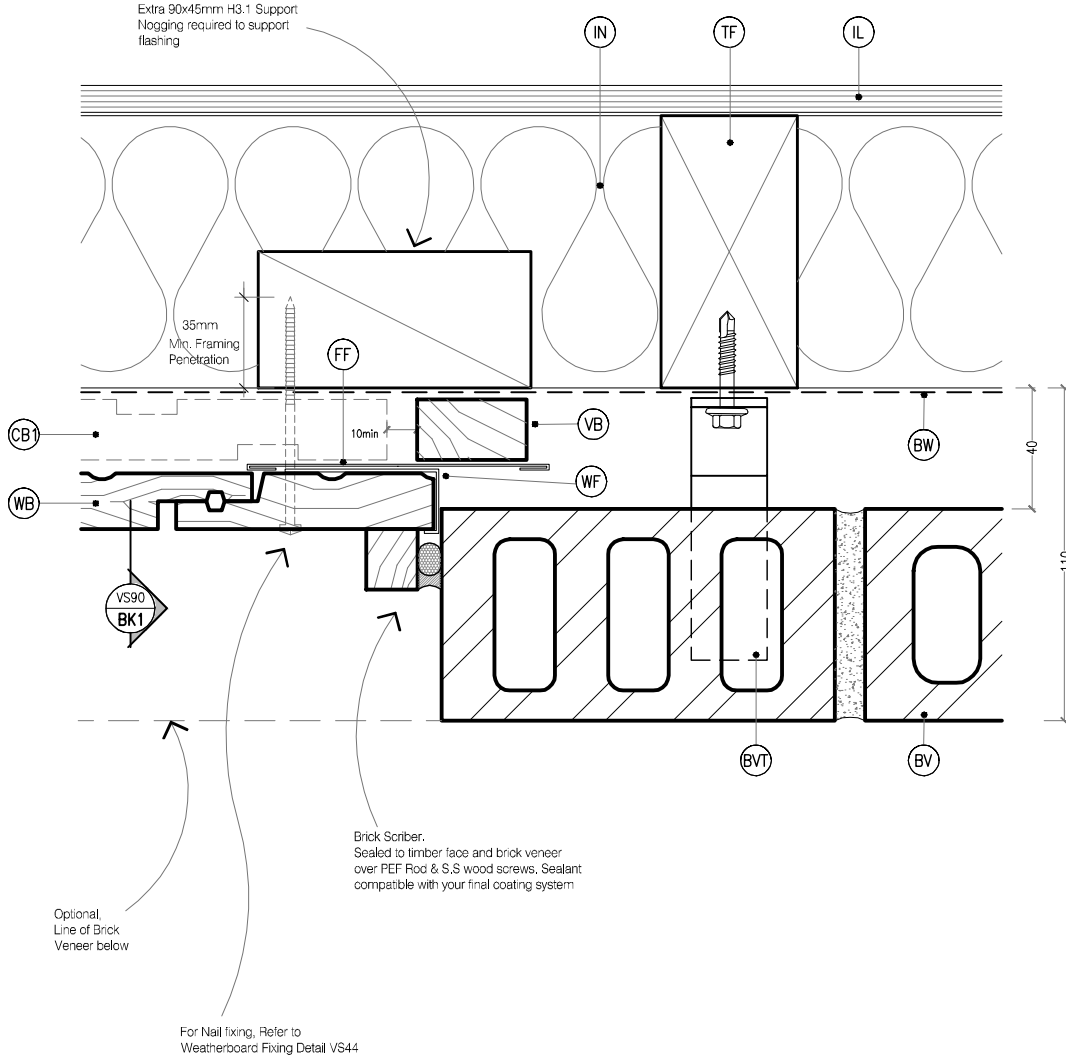
DRAWING SCALE
 1:5 @ A4

ISSUE DATE
 SEP 2023

DRAWING No SPP CF20 VS91
 REVISION

LEGEND :

- | | | |
|---|--|---|
| <p>(SF) SILL FLASHING: Continuous flashing on 15° min slope with turn back ends at end of walls. Materials as per E2/AS1 4.0 Typically 0.45mm Min 316 Stainless Steel.</p> <p>(BW) BUILDING WRAP: Flexible Wall Underlay, As per NZBC E2/AS1 - Table 23, In extra high wind zones, Rigid Underlay required (9.1.7.2 E2/AS1)</p> <p>(BV) BRICK VENEER: Selected brick veneer. Typically 70 series clay brick veneer on 40mm cavity</p> <p>(FT) FLASHING TAPE: As per E2/AS1 4.3.11</p> <p>(BVT) BRICK VENEER TIES: Stainless Steel brick Veneer ties screw fixed to framing - spacing NZS4210, ties to be within 300mm of internal or external corner</p> | <p>(CB1) CAVITY BATTEN, HORIZONTAL - NON STRUCTURAL : 20mm x 45mm SPP Radiata Pine H3.2, Castellated with a 18 degree bevelled slope. To form a 20mm cavity</p> <p>(CB2) CAVITY BATTEN, VERTICAL: 20mm x 45mm. To form a 20mm cavity. Standard H3,1 or castellated H3.2</p> <p>(CB3) CAVITY BATTEN, HORIZONTAL - STRUCTURALLY FIXED : 45mm x 45mm SP Radiata Pine, H3.2 70mm x 45mm SP Radiata Pine, H3.2 Castellated with a 18 degree bevelled slope. To form a 45mm cavity</p> <p>(CC) CAVITY CLOSURE: Cavity closure strip, positioned to give a 15mm Min drip edge to cladding</p> | <p>(CF) CORNER FLASHING: 316 Stainless Steel corner flashing. Refer NZBC E2/AS1 4.3. 75x75 Hem or Hook to Flashing Edges. EXTRA HIGH WIND ZONE 100x100 Hem or Hook to Flashing Edges</p> <p>(IL) INTERNAL LINING: Selected Internal Lining</p> <p>(IN) INSULATION: Selected Insulation</p> <p>(TF) TIMBER FRAME: H1.2 min treated timber framing</p> <p>(WB) WEATHER BOARD: Southern Pine Vertical Shiplap Weatherboard. Profile to NZS 3617</p> <p>(FF) FLAT FLASHING: 316 Stainless Steel 100mm Hem or Hook to Flashing Edges. EXTRA HIGH WIND ZONE 150mm Hem or Hook to Flashing Edges</p> |
|---|--|---|



- DENDRO is Southern Pine's premium product range of H3.2 treated, solid, clear weatherboards. Manufactured from, high quality, pruned NZ Radiata Pine. Product warranty, 25 years if used in accordance with the Installation & Maintenance Guide.
- All Southern Pine Weatherboard profiles have been machined to be compliant with NZS 3617 and BRANZ BU411
- The Southern Pine Weatherboard System, if designed and installed as per the Installation & Maintenance Guide, will meet

- the following provisions of the New Zealand Building Code (NZBC):
- Clause B1 Structure: Performance B1.3.1, B1.3.2, B1.3.4 (a), (b), (c), and (e) for the
 - Clause B2 Durability: Performance B2.3.1(b) and B2.3.2(b)
 - Clause E2 External Moisture: Performance E2.3.2, E2.3.3, E2.3.5, E2.3.7(b) and (c)
 - Clause F2 Hazardous Building Materials: Performance F2.3.1

- This Weatherboard System must be installed by a qualified trade person. Restricted Building Work (RBW) requires a Licensed Building Practitioner (LBP) or supervised by an LBP. It is the specifier's responsibility to ensure that the details are appropriate for the intended application and that additional detailing is obtained for a specific design or any areas that fall outside the scope of the Southern Pine Products & E2/AS1 Acceptable solution.

DETAILS MAY BE SUBJECT TO CHANGE WITHOUT NOTICE



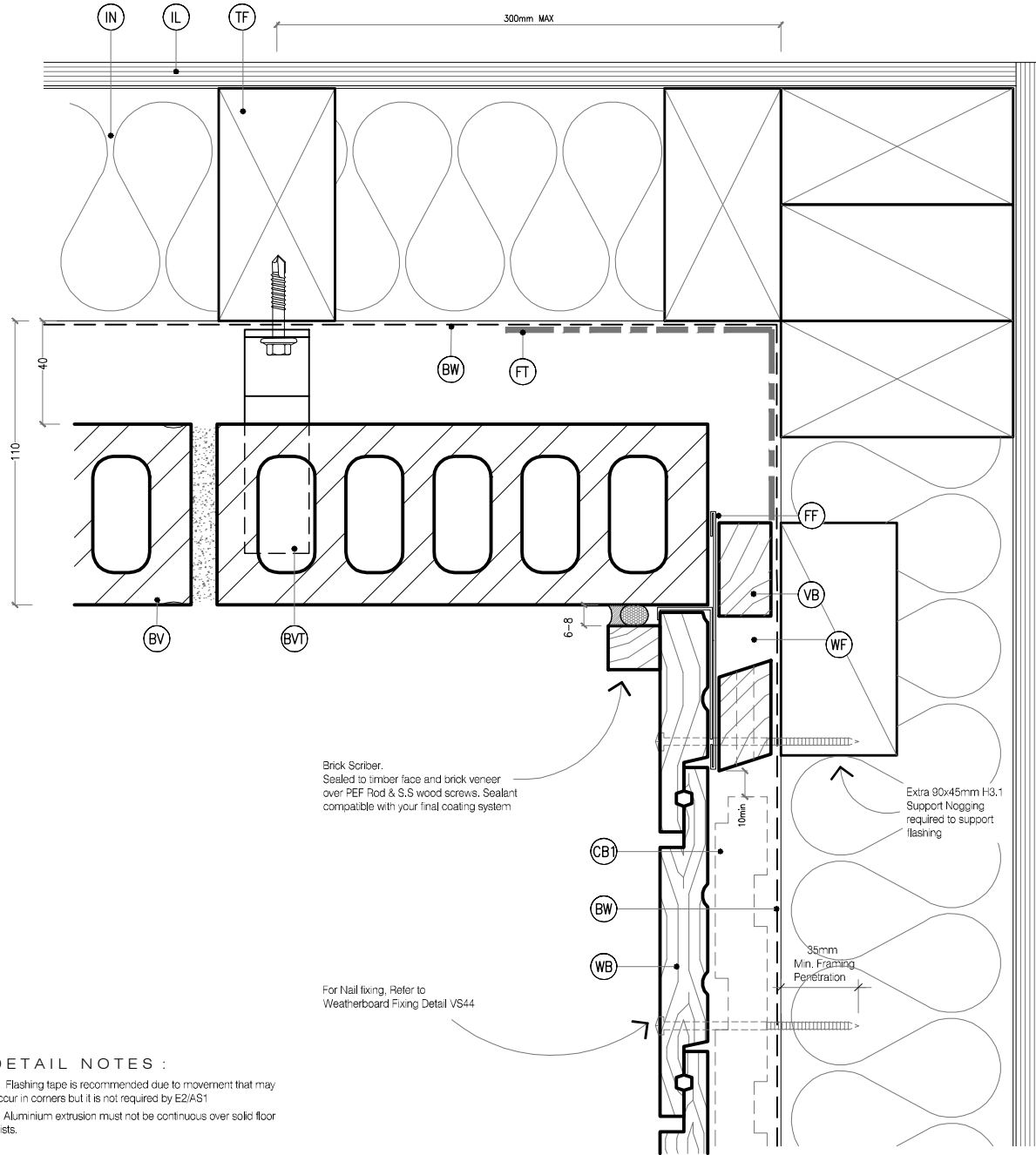
TYPE Southern Pine Products - H3.2 Treatment
 Vertical Shiplap WB - Cavity Fix
 NAME IN-LINE JUNCTION - WEATHERBOARD TO BRICK



DRAWING SCALE 1:5 @ A4	ISSUE DATE SEP 2023
DRAWING No SPP CF20 VS92	REVISION

LEGEND :

- | | | |
|---|--|---|
| <p>(SF) SILL FLASHING: Continuous flashing on 15° min slope with turn back ends at end of walls. Materials as per E2/AS1 4.0 Typically 0.45mm Min 316 Stainless Steel.</p> <p>(BW) BUILDING WRAP: Flexible Wall Underlay, As per NZBC E2/AS1 - Table 23, In extra high wind zones, Rigid Underlay required (9.1.7.2 E2/AS1)</p> <p>(BV) BRICK VENEER: Selected brick veneer. Typically 70 series clay brick veneer on 40mm cavity</p> <p>(FT) FLASHING TAPE: As per E2/AS1 4.3.11</p> <p>(BVT) BRICK VENEER TIES: Stainless Steel brick Veneer ties screw fixed to framing - spacing NZS4210, ties to be within 300mm of internal or external corner</p> | <p>(CB1) CAVITY BATTEN, HORIZONTAL - NON STRUCTURAL : 20mm x 45mm SPP Radiata Pine H3.2, Castellated with a 18 degree bevelled slope. To form a 20mm cavity</p> <p>(CB2) CAVITY BATTEN, VERTICAL: 20mm x 45mm. To form a 20mm cavity. Standard H3.1 or castellated H3.2</p> <p>(CB3) CAVITY BATTEN, HORIZONTAL - STRUCTURALLY FIXED : 45mm x 45mm SP Radiata Pine, H3.2 70mm x 45mm SP Radiata Pine, H3.2 Castellated with a 18 degree bevelled slope. To form a 45mm cavity</p> <p>(CC) CAVITY CLOSURE: Cavity closure strip, positioned to give a 15mm Min drip edge to cladding</p> | <p>(CF) CORNER FLASHING: 316 Stainless Steel corner flashing. Refer NZBC E2/AS1 4.3. 75x75 Hem or Hook to Flashing Edges. EXTRA HIGH WIND ZONE 100x100 Hem or Hook to Flashing Edges</p> <p>(IL) INTERNAL LINING: Selected Internal Lining</p> <p>(IN) INSULATION: Selected Insulation</p> <p>(TF) TIMBER FRAME: H1.2 min treated timber framing</p> <p>(WB) WEATHER BOARD: Southern Pine Vertical Shiplap Weatherboard. Profile to NZS 3617</p> <p>(FF) FLAT FLASHING: 316 Stainless Steel 100mm Hem or Hook to Flashing Edges. EXTRA HIGH WIND ZONE 150mm Hem or Hook to Flashing Edges</p> |
|---|--|---|



DETAIL NOTES :

1. Flashing tape is recommended due to movement that may occur in corners but it is not required by E2/AS1
2. Aluminium extrusion must not be continuous over solid floor joists.



DETAILS MAY BE SUBJECT TO CHANGE WITHOUT NOTICE

1. DENDRO® is Southern Pine's premium product range of H3.2 treated, solid, clear weatherboards. Manufactured from, high quality, pruned NZ Radiata Pine. Product warranty, 25 years if used in accordance with the Installation & Maintenance Guide.
2. All Southern Pine Weatherboard profiles have been machined to be compliant with NZS 3617 and BRANZ BU411
3. The Southern Pine Weatherboard System, if designed and installed as per the Installation & Maintenance Guide, will meet

the following provisions of the New Zealand Building Code (NZBC):

- Clause B1 Structure: Performance B1.3.1, B1.3.2, B1.3.4 (a), (b), (c), (d) and (e) for the
- Clause B2 Durability: Performance B2.3.1(b) and B2.3.2(b)
- Clause E2 External Moisture: Performance E2.3.2, E2.3.3, E2.3.5, E2.3.7(b) and (c)
- Clause F2 Hazardous Building Materials: Performance F2.3.1

4. This Weatherboard System must be installed by a qualified trade person. Restricted Building Work (RBW) requires a Licensed Building Practitioner (LBP) or supervised by an LBP. It is the specifier's responsibility to ensure that the details are appropriate for the intended application and that additional detailing is obtained for a specific design or any areas that fall outside the scope of the Southern Pine Products & E2/AS1 Acceptable solution.



TYPE Southern Pine Products - H3.2 Treatment
 Vertical Shiplap WB - Cavity Fix
 NAME INTERNAL CORNER - WEATHERBOARD TO BRICK



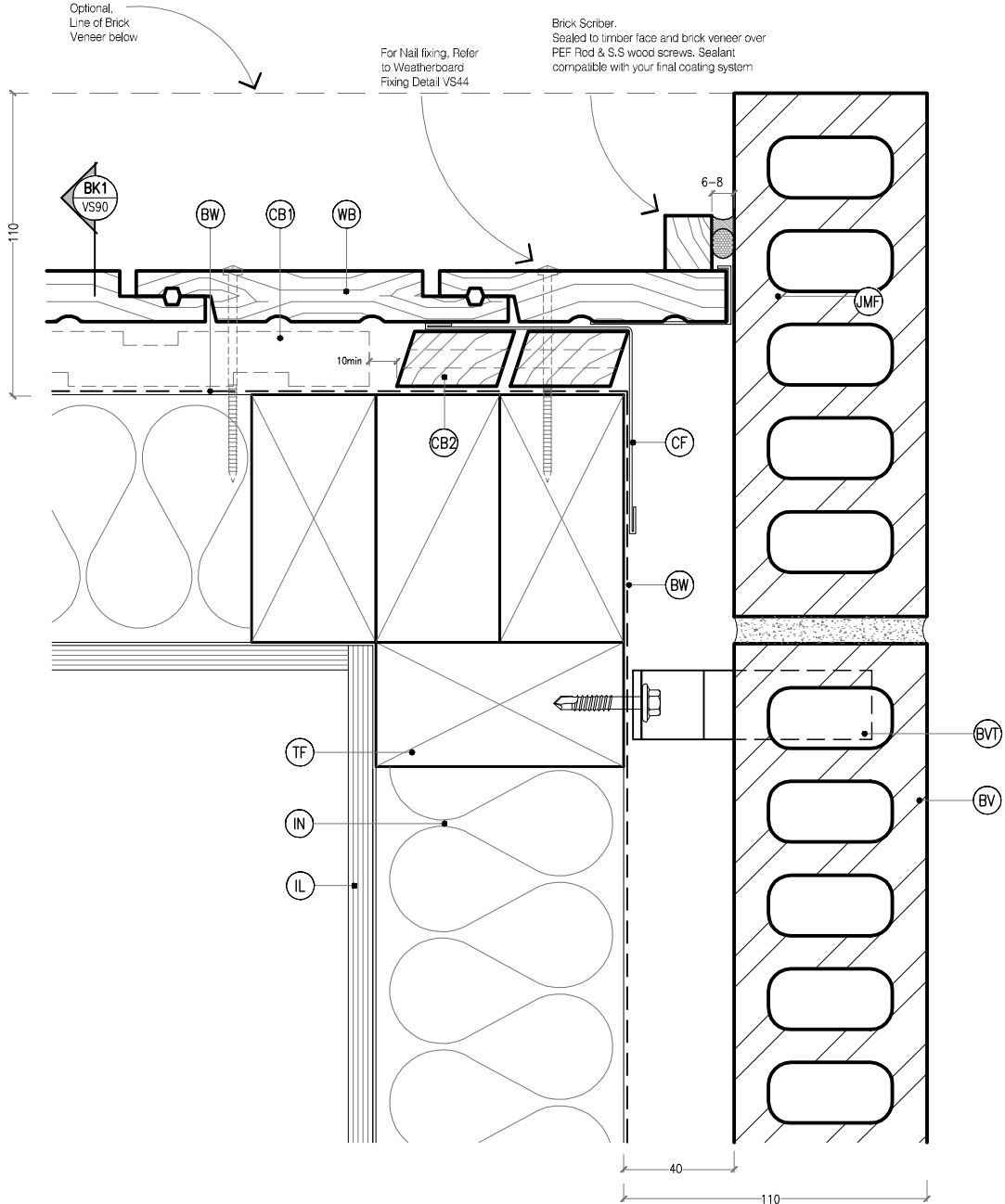
DRAWING SCALE
 1:5 @ A4

ISSUE DATE
 SEP 2023

DRAWING No SPP CF20 VS93
 REVISION

LEGEND :

- | | | |
|---|--|---|
| <p>(SF) SILL FLASHING: Continuous flashing on 15° min slope with turn back ends at end of walls. Materials as per E2/AS1 4.0 Typically 0.45mm Min 316 Stainless Steel.</p> <p>(BW) BUILDING WRAP: Flexible Wall Underlay, As per NZBC E2/AS1 - Table 23. In extra high wind zones, Rigid Underlay required (9.1.7.2 E2/AS1)</p> <p>(BV) BRICK VENEER: Selected brick veneer. Typically 70 series clay brick veneer on 40mm cavity</p> <p>(FT) FLASHING TAPE: As per E2/AS1 4.3.11</p> <p>(BVT) BRICK VENEER TIES: Stainless Steel brick Veneer ties screw fixed to framing - spacing NZS4210, ties to be within 300mm of internal or external corner</p> | <p>(CB1) CAVITY BATTEN, HORIZONTAL - NON STRUCTURAL : 20mm x 45mm SPP Radiata Pine H3.2, Castellated with a 18 degree bevelled slope. To form a 20mm cavity</p> <p>(CB2) CAVITY BATTEN, VERTICAL: 20mm x 45mm. To form a 20mm cavity. Standard H3,1 or castellated H3.2</p> <p>(CB3) CAVITY BATTEN, HORIZONTAL - STRUCTURALLY FIXED : 45mm x 45mm SP Radiata Pine, H3.2 70mm x 45mm SP Radiata Pine, H3.2 Castellated with a 18 degree bevelled slope. To form a 45mm cavity</p> <p>(CC) CAVITY CLOSURE: Cavity closure strip, positioned to give a 15mm Min drip edge to cladding</p> | <p>(CF) CORNER FLASHING: 316 Stainless Steel corner flashing. Refer NZBC E2/AS1 4.3. 75x75 Hem or Hook to Flashing Edges. EXTRA HIGH WIND ZONE 100x100 Hem or Hook to Flashing Edges</p> <p>(IL) INTERNAL LINING: Selected Internal Lining</p> <p>(IN) INSULATION: Selected Insulation</p> <p>(TF) TIMBER FRAME: H1.2 min treated timber framing</p> <p>(WB) WEATHER BOARD: Southern Pine Vertical Shiplap Weatherboard. Profile to NZS 3617</p> <p>(FF) FLAT FLASHING: 316 Stainless Steel 100mm Hem or Hook to Flashing Edges. EXTRA HIGH WIND ZONE 150mm Hem or Hook to Flashing Edges</p> |
|---|--|---|



- DENDRO is Southern Pine's premium product range of H3.2 treated, solid, clear weatherboards. Manufactured from, high quality, pruned NZ Radiata Pine. Product warranty, 25 years if used in accordance with the Installation & Maintenance Guide.
- All Southern Pine Weatherboard profiles have been machined to be compliant with NZS 3617 and BRANZ BU411
- The Southern Pine Weatherboard System, if designed and installed as per the Installation & Maintenance Guide, will meet

- the following provisions of the New Zealand Building Code (NZBC):
- Clause B1 Structure: Performance B1.3.1, B1.3.2, B1.3.4 (a), (b), (c), (d) and (e) for the
 - Clause B2 Durability: Performance B2.3.1(b) and B2.3.2(b)
 - Clause E2 External Moisture: Performance E2.3.2, E2.3.3, E2.3.5, E2.3.7(b) and (c)
 - Clause F2 Hazardous Building Materials: Performance F2.3.1

- This Weatherboard System must be installed by a qualified trade person. Restricted Building Work (RBW) requires a Licensed Building Practitioner (LBP) or supervised by an LBP. It is the specifier's responsibility to ensure that the details are appropriate for the intended application and that additional detailing is obtained for a specific design or any areas that fall outside the scope of the Southern Pine Products & E2/AS1 Acceptable solution.

DETAILS MAY BE SUBJECT TO CHANGE WITHOUT NOTICE



TYPE Southern Pine Products - H3.2 Treatment
 Vertical Shiplap WB - Cavity Fix
 NAME

EXTERIOR JUNCTION -
 WEATHERBOARD TO BRICK



DRAWING SCALE
 1:5 @ A4

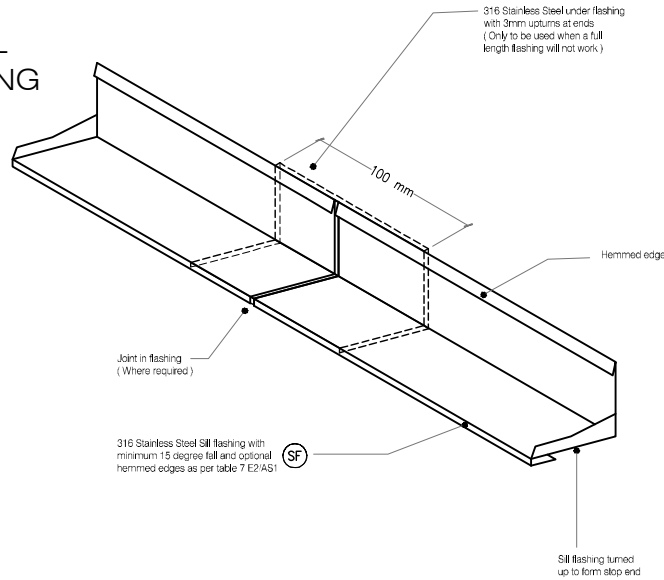
ISSUE DATE
 SEP 2023

DRAWING No SPP CF20 VS94
 REVISION

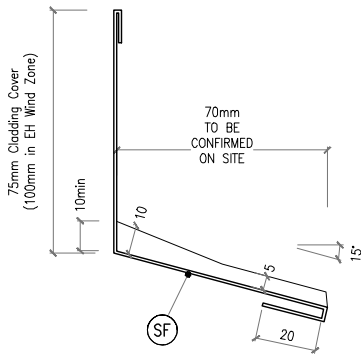
LEGEND :

- | | | |
|---|--|---|
| <p>(SF) SILL FLASHING: Continuous flashing on 15° min slope with turn back ends at end of walls. Materials as per E2/AS1 4.0 Typically 0.45mm Min 316 Stainless Steel.</p> <p>(BW) BUILDING WRAP: Flexible Wall Underlay, As per NZBC E2/AS1 - Table 23, In extra high wind zones, Rigid Underlay required (9.1.7.2 E2/AS1)</p> <p>(BV) BRICK VENEER: Selected brick veneer. Typically 70 series clay brick veneer on 40mm cavity</p> <p>(FT) FLASHING TAPE: As per E2/AS1 4.3.11</p> <p>(BVT) BRICK VENEER TIES: Stainless Steel brick Veneer ties screw fixed to framing - spacing NZS4210, ties to be within 300mm of internal or external corner</p> | <p>(CB1) CAVITY BATTEN, HORIZONTAL - NON STRUCTURAL : 20mm x 45mm SPP Radiata Pine H3.2, Castellated with a 18 degree bevelled slope. To form a 20mm cavity</p> <p>(CB2) CAVITY BATTEN, VERTICAL: 20mm x 45mm. To form a 20mm cavity. Standard H3,1 or castellated H3.2</p> <p>(CB3) CAVITY BATTEN, HORIZONTAL - STRUCTURALLY FIXED : 45mm x 45mm SP Radiata Pine, H3.2 70mm x 45mm SP Radiata Pine, H3.2 Castellated with a 18 degree bevelled slope. To form a 45mm cavity</p> <p>(CC) CAVITY CLOSURE: Cavity closure strip, positioned to give a 15mm Min drip edge to cladding</p> | <p>(CF) CORNER FLASHING: 316 Stainless Steel corner flashing. Refer NZBC E2/AS1 4.3. 75x75 Hem or Hook to Flashing Edges. EXTRA HIGH WIND ZONE 100x100 Hem or Hook to Flashing Edges</p> <p>(IL) INTERNAL LINING: Selected Internal Lining</p> <p>(IN) INSULATION: Selected Insulation</p> <p>(TF) TIMBER FRAME: H1.2 min treated timber framing</p> <p>(WB) WEATHER BOARD: Southern Pine Vertical Shiplap Weatherboard. Profile to NZS 3617</p> <p>(FF) FLAT FLASHING: 316 Stainless Steel 100mm Hem or Hook to Flashing Edges. EXTRA HIGH WIND ZONE 150mm Hem or Hook to Flashing Edges</p> |
|---|--|---|

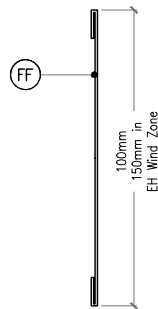
3D SILL FLASHING



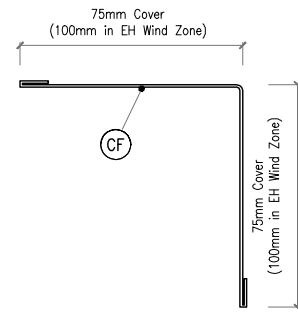
SILL FLASHING DIMENSIONS



INLINE & INTERNAL FLASHING DIMENSIONS



EXTERNAL FLASHING DIMENSIONS



- DENDRO® is Southern Pine's premium product range of H3.2 treated, solid, clear weatherboards. Manufactured from, high quality, pruned NZ Radiata Pine. Product warranty, 25 years if used in accordance with the Installation & Maintenance Guide.
- All Southern Pine Weatherboard profiles have been machined to be compliant with NZS 3617 and BRANZ BU411
- The Southern Pine Weatherboard System, if designed and installed as per the Installation & Maintenance Guide, will meet

- the following provisions of the New Zealand Building Code (NZBC):
- Clause B1 Structure: Performance B1.3.1, B1.3.2, B1.3.4 (a), (b), (c), (d) and (e) for the
 - Clause B2 Durability: Performance B2.3.1(b) and B2.3.2(b)
 - Clause E2 External Moisture: Performance E2.3.2, E2.3.3, E2.3.5, E2.3.7(b) and (c)
 - Clause F2 Hazardous Building Materials: Performance F2.3.1

- This Weatherboard System must be installed by a qualified trade person. Restricted Building Work (RBW) requires a Licensed Building Practitioner (LBP) or supervised by an LBP. It is the specifier's responsibility to ensure that the details are appropriate for the intended application and that additional detailing is obtained for a specific design or any areas that fall outside the scope of the Southern Pine Products & E2/AS1 Acceptable solution.



DETAILS MAY BE SUBJECT TO CHANGE WITHOUT NOTICE



TYPE Southern Pine Products - H3.2 Treatment
 Vertical Shiplap WB - Cavity Fix

NAME FLASHINGS - WEATHERBOARD TO BRICK



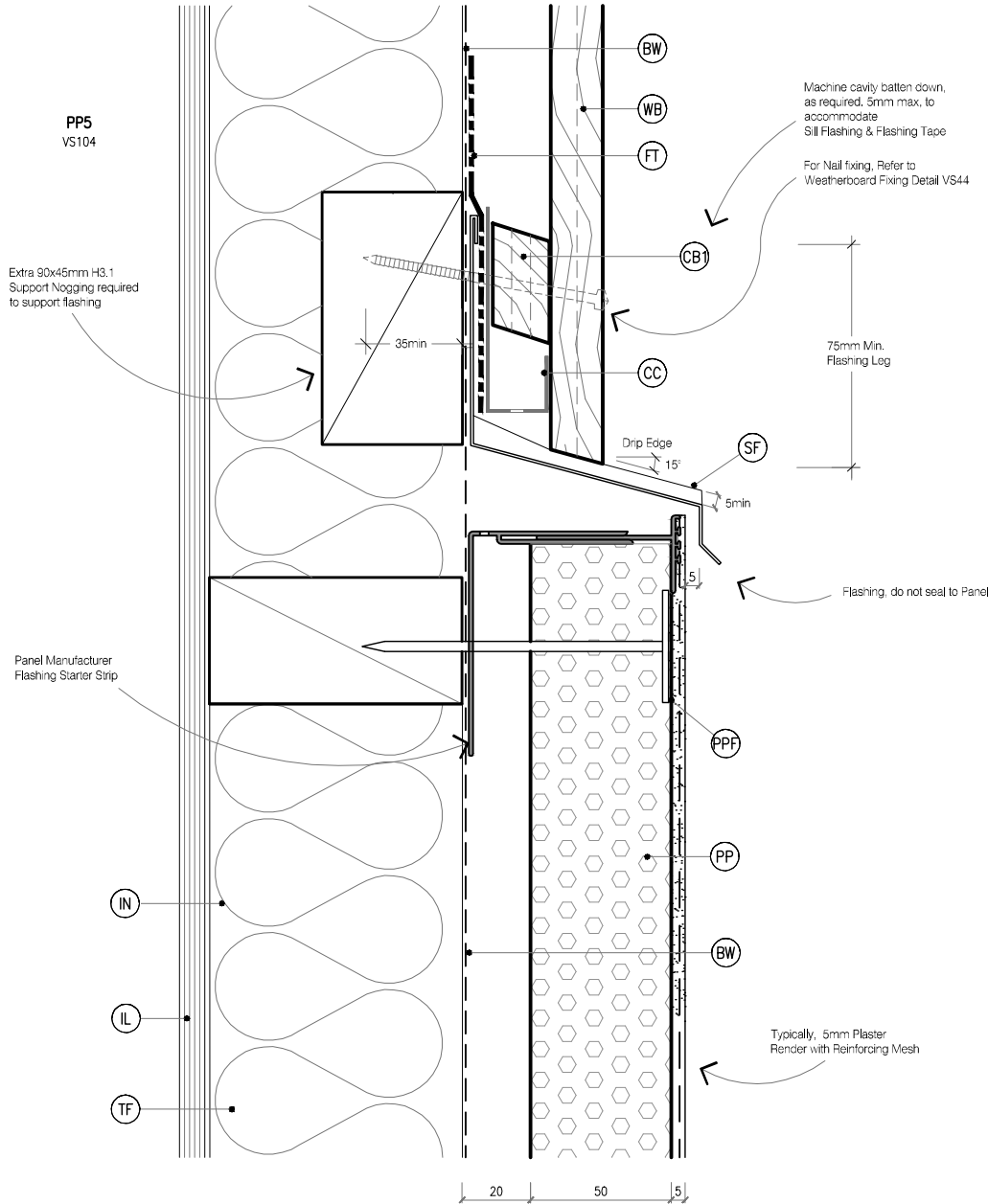
DRAWING SCALE 1:2.5 @ A4

ISSUE DATE SEP 2023

DRAWING No SPP CF20 VS95 REVISION

LEGEND :

- | | | |
|--|---|---|
| <p>(SF) SILL FLASHING: Continuous flashing on 15° min slope with turn back ends at end of walls. Materials as per E2/AS1 4.0 Typically 0.45mm Min 316 Stainless Steel.</p> <p>(BW) BUILDING WRAP: Flexible Wall Underlay, As per NZBC E2/AS1 - Table 23. In extra high wind zones, Rigid Underlay required (9.1.7.2 E2/AS1)</p> <p>(PP) PLASTER PANEL: Selected Insulated Facade Panel System. Typically 50mm Thick, fixed to 20mm vertical cavity batten</p> <p>(FT) FLASHING TAPE: As per E2/AS1 4.3.11</p> <p>(PPF) PLASTER PANEL FIXING: Specific designed panel fixing system. Install to manufactures instructions</p> | <p>(CB1) CAVITY BATTEN, HORIZONTAL - NON STRUCTURAL : 20mm x 45mm SP Radiata Pine H3.2, Castellated with a 18 degree bevelled slope. To form a 20mm cavity</p> <p>(CB2) CAVITY BATTEN, VERTICAL: 20mm x 45mm. To form a 20mm cavity. Standard H3.1 or Castellated H3.2</p> <p>(HS) HEAD SOFFIT SCRIBER: Southern Pine Eaves Mould EM40 x 27. Fix with 75 x 3.15mm 316 S.S nail in 2,5mm predrilled hole</p> <p>(CC) CAVITY CLOSURE: Cavity closure strip, positioned to give a 15mm Min drip edge to cladding</p> <p>(WB) WEATHER BOARD: Southern Pine Vertical Shiplap Weatherboard. Profile to NZS 3617</p> | <p>(ECF) EXTERNAL CORNER FLASHING: 316 S.S Corner flashing. Refer NZBC E2/AS1 4.3. 125x75 Hem or Hook to Flashing Edges. EXTRA HIGH WIND ZONE 150x100 Hem or Hook to Flashing Edges</p> <p>(ICF) INTERNAL CORNER FLASHING: As per External Corner Flashing Hem & Hook flipped.</p> <p>(IL) INTERNAL LINING: Selected Internal Lining</p> <p>(IN) INSULATION: Selected Insulation</p> <p>(FF) FLAT FLASHING: 316 Stainless Steel 100mm Hem or Hook to Flashing Edges. EXTRA HIGH WIND ZONE 150mm Hem or Hook to Flashing Edges</p> <p>(TF) TIMBER FRAME: H1.2 min treated timber framing</p> |
|--|---|---|



DETAILS MAY BE SUBJECT TO CHANGE WITHOUT NOTICE

- DENDRO is Southern Pine's premium product range of H3.2 treated, solid, clear weatherboards. Manufactured from, high quality, pruned NZ Radiata Pine. Product warranty, 25 years if used in accordance with the Installation & Maintenance Guide.
- All Southern Pine Weatherboard profiles have been machined to be compliant with NZS 3617 and BRANZ BU411
- The Southern Pine Weatherboard System, if designed and installed as per the Installation & Maintenance Guide, will meet

the following provisions of the New Zealand Building Code (NZBC):

- Clause B1 Structure: Performance B1.3.1, B1.3.2, B1.3.4 (a), (b), (c), (d) and (e) for the
- Clause B2 Durability: Performance B2.3.1(b) and B2.3.2(b)
- Clause E2 External Moisture: Performance E2.3.2, E2.3.3, E2.3.5, E2.3.7(b) and (c)
- Clause F2 Hazardous Building Materials: Performance F2.3.1

- This Weatherboard System must be installed by a qualified trade person. Restricted Building Work (RBW) requires a Licensed Building Practitioner (LBP) or supervised by an LBP. It is the specifier's responsibility to ensure that the details are appropriate for the intended application and that additional detailing is obtained for a specific design or any areas that fall outside the scope of the Southern Pine Products & E2/AS1 Acceptable solution.



TYPE Southern Pine Products - H3.2 Treatment
 Vertical Shiplap WB - Cavity Fix
 NAME HALF WALL - SILL - PLASTER PANEL TO WEATHERBOARD

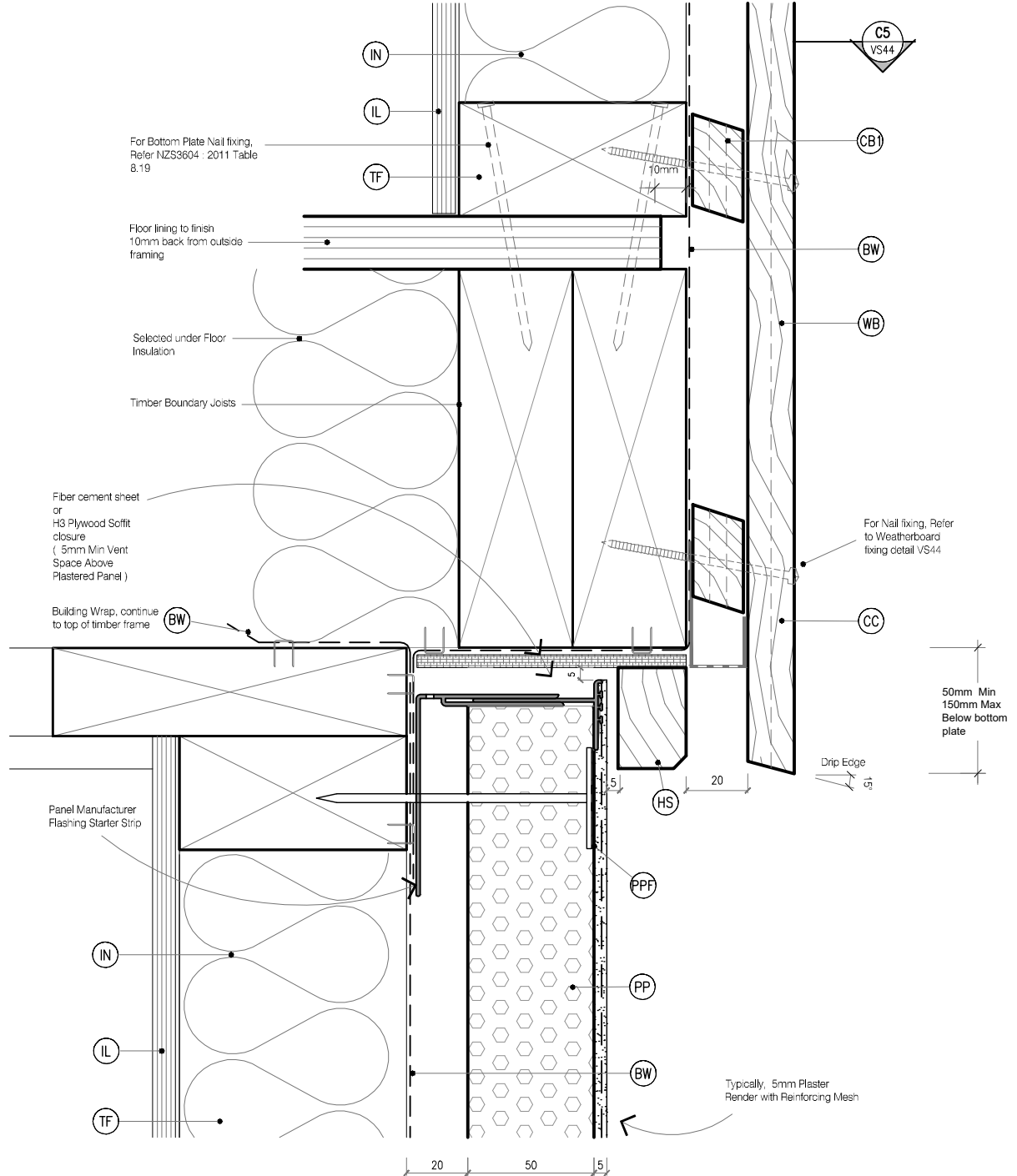


DRAWING SCALE 1:2.5 @ A4
 ISSUE DATE SEP 2023

DRAWING No SPP CF20 VS100
 REVISION

LEGEND :

- | | | |
|---|--|---|
| <p>(SF) SILL FLASHING: Continuous flashing on 15° min slope with turn back ends at end of walls. Materials as per E2/AS1 4.0 Typically 0.45mm Min 316 Stainless Steel.</p> <p>(BW) BUILDING WRAP: Flexible Wall Underlay, As per NZBC E2/AS1 - Table 23. In extra high wind zones, Rigid Underlay required (9.1.7.2 E2/AS1)</p> <p>(PP) PLASTER PANEL: Selected Insulated Facade Panel System. Typically 50mm Thick, fixed to 20mm vertical cavity batten</p> <p>(FT) FLASHING TAPE: As per E2/AS1 4.3.11</p> <p>(PPF) PLASTER PANEL FIXING: Specific designed panel fixing system. Install to manufactures instructions</p> | <p>(CB1) CAVITY BATTEN, HORIZONTAL - NON STRUCTURAL : 20mm x 45mm SP Radiata Pine H3.2, Castellated with a 18 degree bevelled slope. To form a 20mm cavity</p> <p>(CB2) CAVITY BATTEN, VERTICAL: 20mm x 45mm. To form a 20mm cavity. Standard H3.1 or Castellated H3.2</p> <p>(HS) HEAD SOFFIT SCRIBER: Southern Pine Eaves Mould EM40 x 27. Fix with 75 x 3.15mm 316 S.S nail in 2,5mm predrilled hole</p> <p>(CC) CAVITY CLOSURE: Cavity closure strip, positioned to give a 15mm Min drip edge to cladding</p> <p>(WB) WEATHER BOARD: Southern Pine Vertical Shiplap Weatherboard. Profile to NZS 3617</p> | <p>(ECF) EXTERNAL CORNER FLASHING: 316 S.S Corner flashing. Refer NZBC E2/AS1 4.3. 125x75 Hem or Hook to Flashing Edges. EXTRA HIGH WIND ZONE 150x100 Hem or Hook to Flashing Edges</p> <p>(ICF) INTERNAL CORNER FLASHING: As per External Corner Flashing Hem & Hook flipped.</p> <p>(IL) INTERNAL LINING: Selected Internal Lining</p> <p>(IN) INSULATION: Selected Insulation</p> <p>(FF) FLAT FLASHING: 316 Stainless Steel 100mm Hem or Hook to Flashing Edges. EXTRA HIGH WIND ZONE 150mm Hem or Hook to Flashing Edges</p> <p>(TF) TIMBER FRAME: H1.2 min treated timber framing</p> |
|---|--|---|



- DENDRO® is Southern Pine's premium product range of H3.2 treated, solid, clear weatherboards. Manufactured from, high quality, pruned NZ Radiata Pine. Product warranty, 25 years if used in accordance with the Installation & Maintenance Guide.
- All Southern Pine Weatherboard profiles have been machined to be compliant with NZS 3617 and BRANZ BU411
- The Southern Pine Weatherboard System, if designed and installed as per the Installation & Maintenance Guide, will meet

the following provisions of the New Zealand Building Code (NZBC):

- Clause B1 Structure: Performance B1.3.1, B1.3.2, B1.3.4 (a), (b), (c), (e) and (e) for the
- Clause B2 Durability: Performance B2.3.1(b) and B2.3.2(b)
- Clause E2 External Moisture: Performance E2.3.2, E2.3.3, E2.3.5, E2.3.7(b) and (c)
- Clause F2 Hazardous Building Materials: Performance F2.3.1

- This Weatherboard System must be installed by a qualified trade person. Restricted Building Work (RBW) requires a Licensed Building Practitioner (LBP) or supervised by an LBP. It is the specifier's responsibility to ensure that the details are appropriate for the intended application and that additional detailing is obtained for a specific design or any areas that fall outside the scope of the Southern Pine Products & E2/AS1 Acceptable solution.

TYPE Southern Pine Products - H3.2 Treatment
 Vertical Shiplap WB - Cavity Fix

NAME

CANTILEVER FLOOR - PLASTER PANEL
 TO WEATHERBOARD



DRAWING SCALE

1:5 @ A4

ISSUE DATE

SEP 2023

DRAWING No

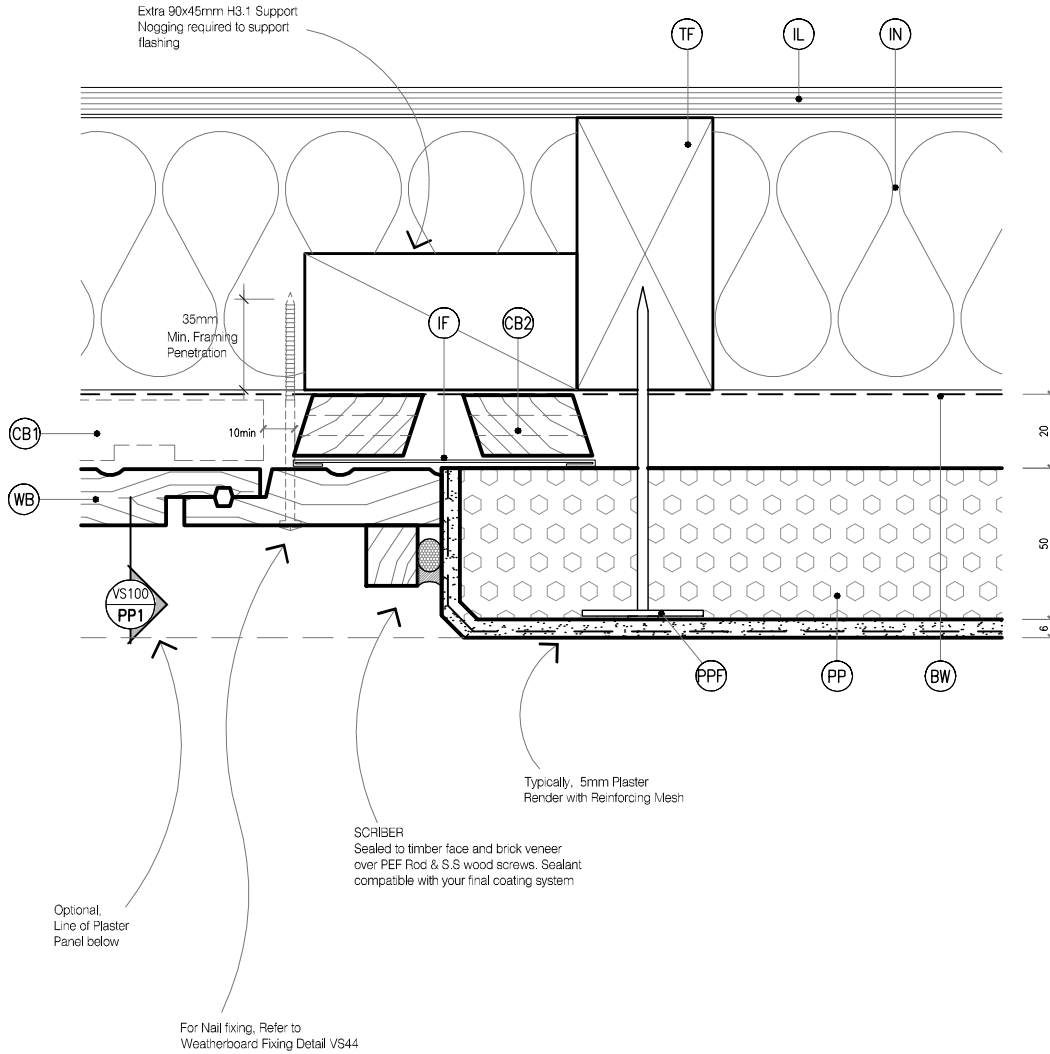
SPP CF20 VS101

REVISION



LEGEND :

- | | | |
|---|--|---|
| <p>(SF) SILL FLASHING: Continuous flashing on 15° min slope with turn back ends at end of walls. Materials as per E2/AS1 4.0 Typically 0.45mm Min 316 Stainless Steel.</p> <p>(BW) BUILDING WRAP: Flexible Wall Underlay, As per NZBC E2/AS1 - Table 23. In extra high wind zones, Rigid Underlay required (9.1.7.2 E2/AS1)</p> <p>(PP) PLASTER PANEL: Selected Insulated Facade Panel System. Typically 50mm Thick, fixed to 20mm vertical cavity batten</p> <p>(FT) FLASHING TAPE: As per E2/AS1 4.3.11</p> <p>(PPF) PLASTER PANEL FIXING: Specific designed panel fixing system. Install to manufactures instructions</p> | <p>(CB1) CAVITY BATTEN, HORIZONTAL - NON STRUCTURAL : 20mm x 45mm SP Radiata Pine H3.2, Castellated with a 18 degree bevelled slope. To form a 20mm cavity</p> <p>(CB2) CAVITY BATTEN, VERTICAL: 20mm x 45mm. To form a 20mm cavity. Standard H3.1 or Castellated H3.2</p> <p>(HS) HEAD SOFFIT SCRIBER: Southern Pine Eaves Mould EM40 x 27. Fix with 75 x 3.15mm 316 S.S nail in 2,5mm predrilled hole</p> <p>(CC) CAVITY CLOSURE: Cavity closure strip, positioned to give a 15mm Min drip edge to cladding</p> <p>(WB) WEATHER BOARD: Southern Pine Vertical Shiplap Weatherboard, Profile to NZS 3617</p> | <p>(ECF) EXTERNAL CORNER FLASHING: 316 S.S Corner flashing. Refer NZBC E2/AS1 4.3. 125x75 Hem or Hook to Flashing Edges. EXTRA HIGH WIND ZONE 150x100 Hem or Hook to Flashing Edges</p> <p>(ICF) INTERNAL CORNER FLASHING: As per External Corner Flashing Hem & Hook flipped.</p> <p>(IL) INTERNAL LINING: Selected Internal Lining</p> <p>(IN) INSULATION: Selected Insulation</p> <p>(FF) FLAT FLASHING: 316 Stainless Steel 100mm Hem or Hook to Flashing Edges. EXTRA HIGH WIND ZONE 150mm Hem or Hook to Flashing Edges</p> <p>(TF) TIMBER FRAME: H1.2 min treated timber framing</p> |
|---|--|---|



- DENDRO is Southern Pine's premium product range of H3.2 treated, solid, clear weatherboards. Manufactured from, high quality, pruned NZ Radiata Pine. Product warranty, 25 years if used in accordance with the Installation & Maintenance Guide.
- All Southern Pine Weatherboard profiles have been machined to be compliant with NZS 3617 and BRANZ BU411
- The Southern Pine Weatherboard System, if designed and installed as per the Installation & Maintenance Guide, will meet

the following provisions of the New Zealand Building Code (NZBC):

- Clause B1 Structure: Performance B1.3.1, B1.3.2, B1.3.4 (a), (b), (c), (e) and (e) for the
- Clause B2 Durability: Performance B2.3.1(b) and B2.3.2(b)
- Clause E2 External Moisture: Performance E2.3.2, E2.3.3, E2.3.5, E2.3.7(b) and (c)
- Clause F2 Hazardous Building Materials: Performance F2.3.1

- This Weatherboard System must be installed by a qualified trade person. Restricted Building Work (RBW) requires a Licensed Building Practitioner (LBP) or supervised by an LBP. It is the specifier's responsibility to ensure that the details are appropriate for the intended application and that additional detailing is obtained for a specific design or any areas that fall outside the scope of the Southern Pine Products & E2/AS1 Acceptable solution.

DETAILS MAY BE SUBJECT TO CHANGE WITHOUT NOTICE



TYPE Southern Pine Products - H3.2 Treatment
 Vertical Shiplap WB - Cavity Fix
 NAME IN-LINE JUNCTION - PLASTER PANEL
 TO WEATHERBOARD



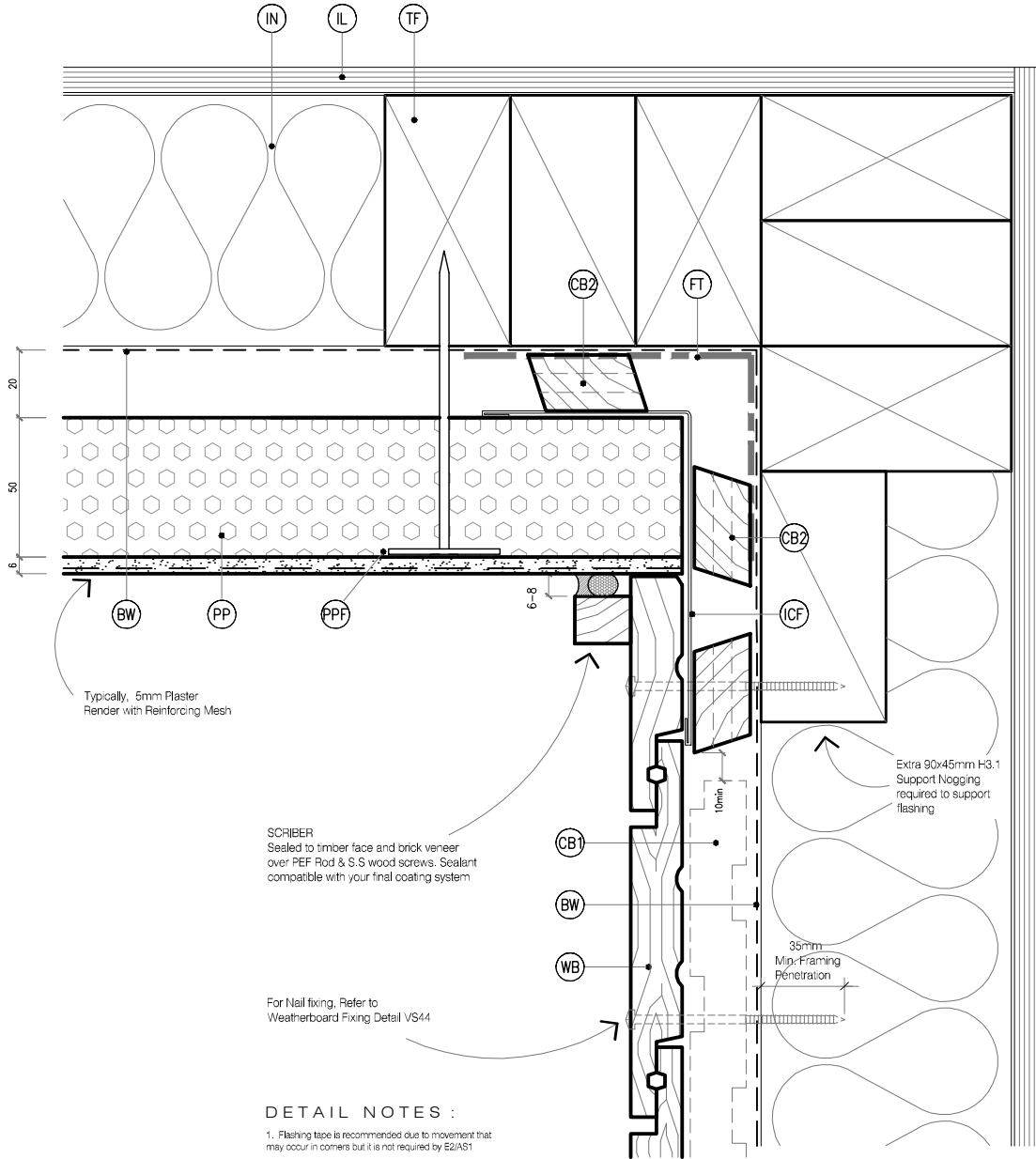
DRAWING SCALE
 1:5 @ A4

ISSUE DATE
 SEP 2023

DRAWING No SPP CF20 VS102
 REVISION

LEGEND :

- | | | |
|---|--|---|
| <p>(SF) SILL FLASHING: Continuous flashing on 15° min slope with turn back ends at end of walls. Materials as per E2/AS1 4.0 Typically 0.45mm Min 316 Stainless Steel.</p> <p>(BW) BUILDING WRAP: Flexible Wall Underlay, As per NZBC E2/AS1 - Table 23, In extra high wind zones, Rigid Underlay required (9.1.7.2 E2/AS1)</p> <p>(PP) PLASTER PANEL: Selected Insulated Facade Panel System. Typically 50mm Thick, fixed to 20mm vertical cavity batten</p> <p>(FT) FLASHING TAPE: As per E2/AS1 4.3.11</p> <p>(PPF) PLASTER PANEL FIXING: Specific designed panel fixing system. Install to manufactures instructions</p> | <p>(CB1) CAVITY BATTEN, HORIZONTAL - NON STRUCTURAL : 20mm x 45mm SP Radiata Pine H3.2, Castellated with a 18 degree bevelled slope. To form a 20mm cavity</p> <p>(CB2) CAVITY BATTEN, VERTICAL: 20mm x 45mm. To form a 20mm cavity. Standard H3.1 or Castellated H3.2</p> <p>(HS) HEAD SOFFIT SCRIBER: Southern Pine Eaves Mould EM40 x 27. Fix with 75 x 3.15mm 316 S.S nail in 2,5mm predrilled hole</p> <p>(CC) CAVITY CLOSURE: Cavity closure strip, positioned to give a 15mm Min drip edge to cladding</p> <p>(WB) WEATHER BOARD: Southern Pine Vertical Shiplap Weatherboard. Profile to NZS 3617</p> | <p>(ECF) EXTERNAL CORNER FLASHING: 316 S.S Corner flashing. Refer NZBC E2/AS1 4.3. 125x75 Hem or Hook to Flashing Edges. EXTRA HIGH WIND ZONE 150x100 Hem or Hook to Flashing Edges</p> <p>(ICF) INTERNAL CORNER FLASHING: As per External Corner Flashing Hem & Hook flipped.</p> <p>(IL) INTERNAL LINING: Selected Internal Lining</p> <p>(IN) INSULATION: Selected Insulation</p> <p>(FF) FLAT FLASHING: 316 Stainless Steel 100mm Hem or Hook to Flashing Edges. EXTRA HIGH WIND ZONE 150mm Hem or Hook to Flashing Edges</p> <p>(TF) TIMBER FRAME: H1.2 min treated timber framing</p> |
|---|--|---|



DETAIL NOTES :

- Flashing tape is recommended due to movement that may occur in corners but it is not required by E2/AS1
- Aluminium extrusion must not be continuous over solid floor joists.



DETAILS MAY BE SUBJECT TO CHANGE WITHOUT NOTICE



TYPE Southern Pine Products - H3.2 Treatment
 Vertical Shiplap WB - Cavity Fix

NAME

INTERNAL CORNER - PLASTER PANEL
 TO WEATHERBOARD



DRAWING SCALE

1:5 @ A4

ISSUE DATE

SEP 2023

DRAWING No

SPP CF20 VS103

REVISION

- DENDRO is Southern Pine's premium product range of H3.2 treated, solid, clear weatherboards. Manufactured from high quality, pruned NZ Radiata Pine. Product warranty, 25 years if used in accordance with the Installation & Maintenance Guide.
- All Southern Pine Weatherboard profiles have been machined to be compliant with NZS 3617 and BRANZ BU411
- The Southern Pine Weatherboard System, if designed and installed as per the Installation & Maintenance Guide, will meet

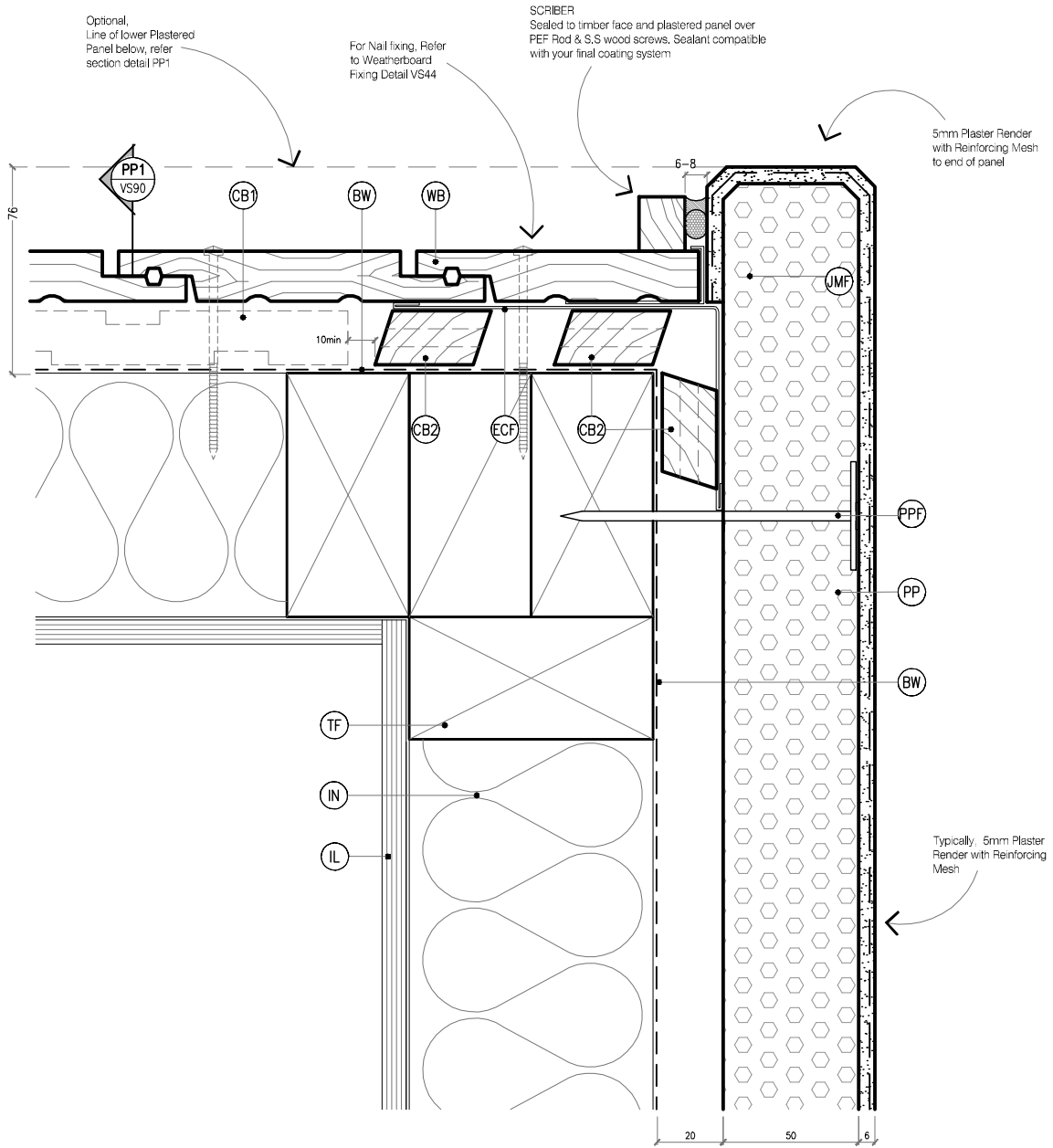
the following provisions of the New Zealand Building Code (NZBC):

- Clause B1 Structure: Performance B1.3.1, B1.3.2, B1.3.4 (a), (b), (c), (d) and (e) for the
- Clause B2 Durability: Performance B2.3.1(b) and B2.3.2(b)
- Clause E2 External Moisture: Performance E2.3.2, E2.3.3, E2.3.5, E2.3.7(b) and (c)
- Clause F2 Hazardous Building Materials: Performance F2.3.1

- This Weatherboard System must be installed by a qualified trade person. Restricted Building Work (RBW) requires a Licensed Building Practitioner (LBP) or supervised by an LBP. It is the specifier's responsibility to ensure that the details are appropriate for the intended application and that additional detailing is obtained for a specific design or any areas that fall outside the scope of the Southern Pine Products & E2/AS1 Acceptable solution.

LEGEND :

- | | | |
|---|--|--|
| <p>(SF) SILL FLASHING: Continuous flashing on 15° min slope with turn back ends at end of walls. Materials as per E2/AS1 4.0 Typically 0.45mm Min 316 Stainless Steel.</p> <p>(BW) BUILDING WRAP: Flexible Wall Underlay, As per NZBC E2/AS1 - Table 23. In extra high wind zones, Rigid Underlay required (9.1.7.2 E2/AS1)</p> <p>(PP) PLASTER PANEL: Selected Insulated Facade Panel System. Typically 50mm Thick, fixed to 20mm vertical cavity batten</p> <p>(FT) FLASHING TAPE: As per E2/AS1 4.3.11</p> <p>(PPF) PLASTER PANEL FIXING: Specific designed panel fixing system. Install to manufactures instructions</p> | <p>(CB1) CAVITY BATTEN, HORIZONTAL - NON STRUCTURAL : 20mm x 45mm SP Radiata Pine H3.2, Castellated with a 18 degree bevelled slope. To form a 20mm cavity</p> <p>(CB2) CAVITY BATTEN, VERTICAL: 20mm x 45mm. To form a 20mm cavity. Standard H3.1 or Castellated H3.2</p> <p>(HS) HEAD SOFFIT SCRIBER: Southern Pine Eaves Mould EM40 x 27. Fix with 75 x 3.15mm 316 S.S nail in 2,5mm predrilled hole</p> <p>(CC) CAVITY CLOSURE: Cavity closure strip, positioned to give a 15mm Min drip edge to cladding</p> <p>(WB) WEATHER BOARD: Southern Pine Vertical Shiplap Weatherboard. Profile to NZS 3617</p> | <p>(ECF) EXTERNAL CORNER FLASHING: 316 S.S Corner flashing. Refer NZBC E2/AS1 4.3. 125x75 Hem or Hook to Flashing Edges. EXTRA HIGH WIND ZONE 150x100 Hem or Hook to Flashing Edges</p> <p>(ICF) INTERNAL CORNER FLASHING: As per External Corner Flashing Hem & Hook</p> <p>(IL) INTERNAL LINING: Selected Internal Lining</p> <p>(IN) INSULATION: Selected Insulation</p> <p>(FF) FLAT FLASHING: 316 Stainless Steel 100mm Hem or Hook to Flashing Edges. EXTRA HIGH WIND ZONE 150mm Hem or Hook to Flashing Edges</p> <p>(TF) TIMBER FRAME: H1.2 min treated timber framing</p> |
|---|--|--|



- DENDRO is Southern Pine's premium product range of H3.2 treated, solid, clear weatherboards. Manufactured from, high quality, pruned NZ Radiata Pine. Product warranty, 25 years if used in accordance with the Installation & Maintenance Guide.
- All Southern Pine Weatherboard profiles have been machined to be compliant with NZS 3617 and BRANZ BU411
- The Southern Pine Weatherboard System, if designed and installed as per the Installation & Maintenance Guide, will meet

- the following provisions of the New Zealand Building Code (NZBC):
- Clause B1 Structure: Performance B1.3.1, B1.3.2, B1.3.4 (a), (b), (c), (d) and (e) for the
 - Clause B2 Durability: Performance B2.3.1(b) and B2.3.2(b)
 - Clause E2 External Moisture: Performance E2.3.2, E2.3.3, E2.3.5, E2.3.7(b) and (c)
 - Clause F2 Hazardous Building Materials: Performance F2.3.1

- This Weatherboard System must be installed by a qualified trade person. Restricted Building Work (RBW) requires a Licensed Building Practitioner (LBP) or supervised by an LBP. It is the specifier's responsibility to ensure that the details are appropriate for the intended application and that additional detailing is obtained for a specific design or any areas that fall outside the scope of the Southern Pine Products & E2/AS1 Acceptable solution.

DETAILS MAY BE SUBJECT TO CHANGE WITHOUT NOTICE



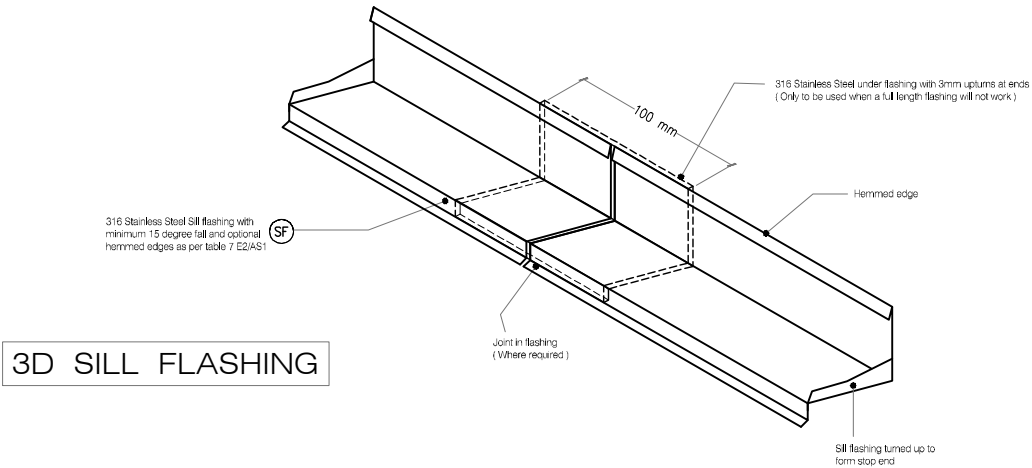
TYPE Southern Pine Products - H3.2 Treatment
 Vertical Shiplap WB - Cavity Fix
 NAME EXTERIOR JUNCTION - PLASTER PANEL
 TO WEATHERBOARD



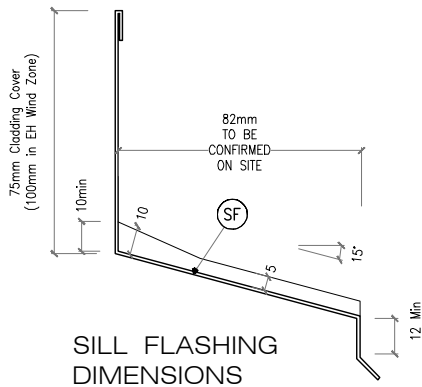
DRAWING SCALE 1:5 @ A4	ISSUE DATE SEP 2023
DRAWING No SPP CF20 VS104	REVISION

LEGEND :

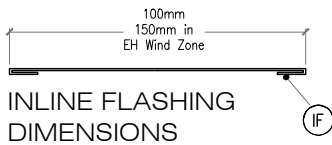
- | | | |
|---|--|---|
| <p>(SF) SILL FLASHING: Continuous flashing on 15° min slope with turn back ends at end of walls. Materials as per E2/AS1 4.0 Typically 0.45mm Min 316 Stainless Steel.</p> <p>(BW) BUILDING WRAP: Flexible Wall Underlay, As per NZBC E2/AS1 - Table 23. In extra high wind zones, Rigid Underlay required (9.1.7.2 E2/AS1)</p> <p>(PP) PLASTER PANEL: Selected Insulated Facade Panel System. Typically 50mm Thick, fixed to 20mm vertical cavity batten</p> <p>(FT) FLASHING TAPE: As per E2/AS1 4.3.11</p> <p>(PPF) PLASTER PANEL FIXING: Specific designed panel fixing system. Install to manufactures instructions</p> | <p>(CB1) CAVITY BATTEN, HORIZONTAL - NON STRUCTURAL : 20mm x 45mm SP Radiata Pine H3.2, Castellated with a 18 degree bevelled slope. To form a 20mm cavity</p> <p>(CB2) CAVITY BATTEN, VERTICAL: 20mm x 45mm. To form a 20mm cavity. Standard H3.1 or Castellated H3.2</p> <p>(HS) HEAD SOFFIT SCRIBER: Southern Pine Eaves Mould EM40 x 27. Fix with 75 x 3.15mm 316 S.S nail in 2,5mm predrilled hole</p> <p>(CC) CAVITY CLOSURE: Cavity closure strip, positioned to give a 15mm Min drip edge to cladding</p> <p>(WB) WEATHER BOARD: Southern Pine Vertical Shiplap Weatherboard. Profile to NZS 3617</p> | <p>(ECF) EXTERNAL CORNER FLASHING: 316 S.S Corner flashing. Refer NZBC E2/AS1 4.3. 125x75 Hem or Hook to Flashing Edges. EXTRA HIGH WIND ZONE 150x100 Hem or Hook to Flashing Edges</p> <p>(ICF) INTERNAL CORNER FLASHING: As per External Corner Flashing Hem & Hook flipped.</p> <p>(IL) INTERNAL LINING: Selected Internal Lining</p> <p>(IN) INSULATION: Selected Insulation</p> <p>(FF) FLAT FLASHING: 316 Stainless Steel 100mm Hem or Hook to Flashing Edges. EXTRA HIGH WIND ZONE 150mm Hem or Hook to Flashing Edges</p> <p>(TF) TIMBER FRAME: H1.2 min treated timber framing</p> |
|---|--|---|



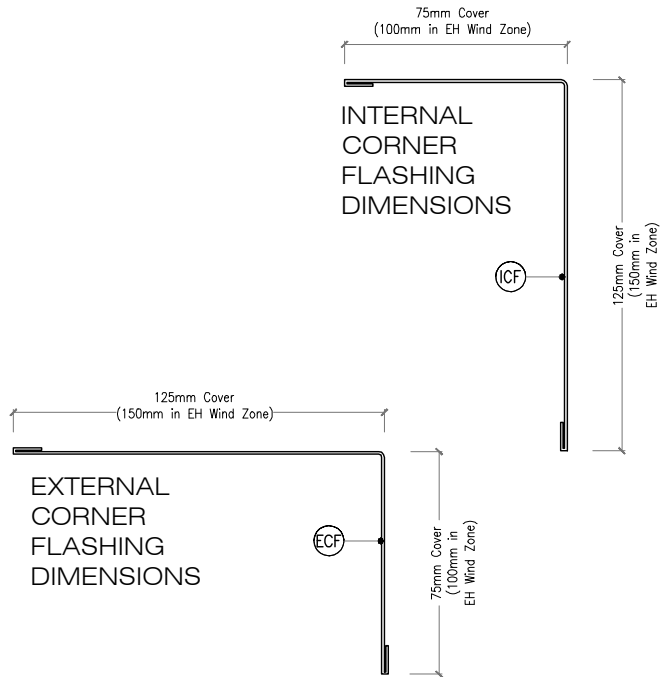
3D SILL FLASHING



SILL FLASHING DIMENSIONS



INLINE FLASHING DIMENSIONS



INTERNAL CORNER FLASHING DIMENSIONS

EXTERNAL CORNER FLASHING DIMENSIONS



DETAILS MAY BE SUBJECT TO CHANGE WITHOUT NOTICE

- DENDRO® is Southern Pine's premium product range of H3.2 treated, solid, clear weatherboards. Manufactured from, high quality, pruned NZ Radiata Pine. Product warranty, 25 years if used in accordance with the Installation & Maintenance Guide.
- All Southern Pine Weatherboard profiles have been machined to be compliant with NZS 3617 and BRANZ BU411
- The Southern Pine Weatherboard System, if designed and installed as per the Installation & Maintenance Guide, will meet

the following provisions of the New Zealand Building Code (NZBC):

- Clause B1 Structure: Performance B1.3.1, B1.3.2, B1.3.4 (a), (b), (c), (d) and (e) for the
- Clause B2 Durability: Performance B2.3.1(b) and B2.3.2(b)
- Clause E2 External Moisture: Performance E2.3.2, E2.3.3, E2.3.5, E2.3.7(b) and (c)
- Clause F2 Hazardous Building Materials: Performance F2.3.1

- This Weatherboard System must be installed by a qualified trade person. Restricted Building Work (RBW) requires a Licensed Building Practitioner (LBP) or supervised by an LBP. It is the specifier's responsibility to ensure that the details are appropriate for the intended application and that additional detailing is obtained for a specific design or any areas that fall outside the scope of the Southern Pine Products & E2/AS1 Acceptable solution.



TYPE **Southern Pine Products - H3.2 Treatment Vertical Shiplap WB - Cavity Fix**

NAME **FLASHINGS - PLASTER PANEL TO WEATHERBOARD**



DRAWING SCALE
1:2.5 @ A4

ISSUE DATE
SEP 2023

DRAWING No **SPP CF20 VS105** REVISION